



THE INVINCIBLE

Bajaj Auto Limited
Akurdi Pune 411 035 India

Tel +91 20 27472851

Fax +91 20 27407385

Toll Free 1800 233 2453

www.bajajauto.com

CIN : L65993PN2007PLC130076



THE INVINCIBLE

Spare Parts Catalogue

(V15 BSIV & V12)





Notice

All information contained in this manual is based on the latest product information at the time of publication. Bajaj Auto Limited accepts no liability for any inaccuracies or omissions in this publication, although every possible care has been taken to make it as complete and accurate as possible. All procedures and specifications subject to change without prior notice. The right is reserved to make such changes at any time without prior notice and without incurring an obligation to make such changes to product manufactured previously. Contact your authorized Bajaj Dealer for the latest information on product improvements incorporated after this manual was issued.

DOC. NO.: 71112414

REV. 14, AUG., 18

Copy rights : All rights reserved. No part of this publicatin may be reproduced, stored in a retrival system, Or transmitted in any form or by any means, electronic mechanical photocopying, recording or otherwise, without the prior written permission of Bajaj Auto LTD.

Foreword



We have pleasure in presenting the Spare Parts Catalogue for 'V15 BSIV & V12' Motorcycle. This catalogue has been specially designed to assist you in selecting the correct parts for procurement to maintain 100% availability.

The Bajaj spares are subjected to the stringent quality control standards to ensure longer life of the vehicle. It is therefore necessary that only the Genuine Bajaj Spares are used.

In a continual effort to improve Performance and Efficiency of the vehicles, Specifications, Diagrams, Illustrations and Part Numbers can change without notice. Consequently, the description in this Spare Parts Catalogue cannot therefore be final and binding on us.

The modifications / alterations which are carried out after the issue of this catalogue, will be conveyed to you through our Service Circulars. You are requested to make necessary corrections in the Parts Catalogue as per the circulars so as to keep your catalogue up-to-date. This will ensure the appropriate and speedy delivery of the Spare Parts as the order placed will bear the latest part numbers.

In case, if you need any technical assistance contact the concerned Regional Office or write to us on the following address :

Bajaj Auto Limited
Service Department
Akurdi, Pune 411 035 India

Instructions



1. How to Read the Catalogue : Open the catalogue and from the pictorial index locate the group in which the part you want to find is present. Turn over to the concerned page number (as given by pictorial index). Now find out the figure of the part you wish to order. Write down the part number against that particular figure number from the text.

In case, if you have the part number and you need the other details, the part index can be used. The part index (at the end of the catalogue) will give you the figure and page number of the part you wish to order.

2. How to Order Spare Parts : The part number and the description of the part required should be invariably mentioned in the order as per the catalogue text.

The latest part number as conveyed through our service circulars should only appear on the order. In case of ordering painted components, colour shade of the components should be mentioned.

The quantity shown against the part number is the quantity per vehicle for that group so that particular quantity should be multiplied by the number of sets required.

3. Part Number System : We have used 8 digit system for part numbers. The model or hardware item is indicated by first two digits or alphanumeric, the next two or four digits indicate main group and the last four or two digits indicate serial number in main group or serial number or subgroup of fastener respectively. Thus the part numbers will be indicated by 2-2-4 or 2-4-2 digit system. Understanding this system will enable you to identify the spare parts easily.

4. Abbreviations : The following abbreviations are used in this catalogue.

Assly	Assembly	V	Volts
N.I.	Not illustrated	W	Watts
C'case	Crankcase	Accl.	Accelerator
Cyl	Cylinder	Comp.	Complete
O/s	Over size	Fr.	Front
Rr.	Rear	Std.	Standard
L	Length	A/t.	Alternate
R.H.	Right hand	L.H.	Left hand
Hex.	Hexagonal	AR	As required

Index



Plate No.	Description	Page No.
1	Cylinder Head & Cylinder Cover	2 - 4
2	SAI System	6
3	Valve	8
4	Camshaft & Tensioner	10
5	Cylinder and Piston	12
6	Crankshaft	14
7	Transmission	16
8	Change Drum & Shift Fork	18
9	Gear Change Mechanism	20
10	Engine Assembly & Crankcase RH	22
11	Crankcase LH	24
12	Cover Clutch	26
13	Cover Magneto	28
14	Clutch Assembly	30
15	Oil Pump Assembly	32
16	Carburetor Assembly - V15	34
17	Carburetor Assembly - V15 UG	36
18	Carburetor Assembly - V12	38
19	Kick Starter Mechanism	40
20	Silencer Assembly	42
21	Air Cleaner Assembly	44
22	EVAP Mechanism	46
23	Magneto, CDI, Spark Plug & H.T. Coil	48
24	Starter Motor & Starter Gear	50
25	Frame and Frame Fittings	52
26	Engine Mountings	54
27	Swing Arm & Rear Shock Absorber	56
28	Main Step & Pillion Step Assembly	58
29	Mudguard - Front & Rear	60
30	Center & Side Stand Assembly	62
31	Wheel Rim & Tyres	64

Index



Plate No.	Description	Page No.
32	Front Wheel Assembly	66
33	Front Hub - V12 Drum	68
34	Rear Wheel Assembly	70 - 72
35	Rear Brake Pedal	74
36	Front Master Cylinder Assembly	76
37	Front Brake - Caliper & Disc	78
38	Handle Bar Assembly	80 - 82
39	Front Fork	84 - 86
40	Fuel Tank	88
41	Seat Assembly & Seat Lock	90
42	Speedometer	92
43	Cables	94
44	Side Covers & Seat Cowl Fittings	96
45	Leg Guards, Saree Guard & Grab Handle	98
46	Head Light	100 - 102
47	Indicator Light	104
48	Electrical Equipment	106
49	Chain Case Kit & Tool Kit	108
50	Front & Rear Number Plate	110
51	Painted Parts and Decals - V15	112 - 114
52	Painted Parts and Decals - V15 UG	116 - 118
53	Painted Parts and Decals - V12	120 - 122
54	Consumable Parts	124 - 126
	Kits List	127 - 132
	Part Index	133 - 154

Pictorial Index



PLATE NO. : 1 CYLINDER HEAD & CYLINDER COVER	PAGE NO. 1 - 3	PLATE NO. : 2 SAI System	PAGE NO. 5

PLATE NO. : 3 VALVE	PAGE NO. 7	PLATE NO. : 4 CAMSHAFT & TENSIONER	PAGE NO. 9

Pictorial Index



PLATE NO. : 5 CYLINDER & PISTON	PAGE NO. 11	PLATE NO. : 6 CRANKSHAFT	PAGE NO. 13

PLATE NO. : 7 TRANSMISSION	PAGE NO. 15	PLATE NO. : 8 CHANGE DRUM & SHIFT FORK	PAGE NO. 17

Pictorial Index



PLATE NO. : 9 GEAR CHANGE MECHANISM	PAGE NO. 19
--	----------------

PLATE NO. : 10 ENGINE ASSEMBLY & CRANKCASE RH	PAGE NO. 21
--	----------------

PLATE NO. : 11 CRANKCASE LH	PAGE NO. 23
--------------------------------	----------------

PLATE NO. : 12 COVER CLUTCH	PAGE NO. 25
--------------------------------	----------------

Pictorial Index



PLATE NO. : 13 COVER MAGNETO	PAGE NO. 27
---------------------------------	----------------

PLATE NO. : 14 CLUTCH ASSEMBLY	PAGE NO. 29
-----------------------------------	----------------

PLATE NO. : 15 OIL PUMP ASSEMBLY	PAGE NO. 32
-------------------------------------	----------------

PLATE NO. : 16 CARBURETOR ASSEMBLY - V15	PAGE NO. 33
---	----------------

Pictorial Index



PLATE NO. : 17 CARBURETOR ASSEMBLY - V12	PAGE NO. 35

PLATE NO. : 18 KICK STARTER MECHANISM	PAGE NO. 37

PLATE NO. : 19 SILENCER ASSEMBLY	PAGE NO. 39

PLATE NO. : 19 AIR CLEANER ASSEMBLY	PAGE NO. 37

Pictorial Index



PLATE NO. : 21 AIR CLEANER ASSEMBLY	PAGE NO. 43

PLATE NO. : 22 MAGNETO, CDI, SPARK PLUG & H.T. COIL	PAGE NO. 45

PLATE NO. : 23 STARTER MOTOR & STARTER GEAR	PAGE NO. 47

PLATE NO. : 24 FRAME AND FRAME FITTINGS	PAGE NO. 49

Pictorial Index



PLATE NO. : 25 ENGINE MOUNTINGS	PAGE NO. 52
------------------------------------	----------------

PLATE NO. : 26 SWING ARM & REAR SHOCK ABSORBER	PAGE NO. 53
---	----------------

PLATE NO. : 27 MAIN STEP & PILLION STEP ASSEMBLY	PAGE NO. 55
---	----------------

PLATE NO. : 28 MUDGUARD - FRONT & REAR	PAGE NO. 57
---	----------------

Pictorial Index



PLATE NO. : 29 CENTER & SIDE STAND ASSEMBLY	PAGE NO. 59
--	----------------

PLATE NO. : 30 WHEEL RIM & TYRE	PAGE NO. 61
------------------------------------	----------------

PLATE NO. : 31 FRONT WHEEL ASSEMBLY	PAGE NO. 63
--	----------------

PLATE NO. : 32 FRONT HUB - V12 Drum	PAGE NO. 65
--	----------------

Pictorial Index



PLATE NO. : 33 REAR WHEEL ASSEMBLY	PAGE NO. 67 - 69

PLATE NO. : 34 REAR BRAKE PEDAL	PAGE NO. 71

PLATE NO. : 35 FRONT MASTER CYLINDER ASSEMBLY	PAGE NO. 73

PLATE NO. : 36 FRONT BRAKE - CALIPER & DISC	PAGE NO. 75

Pictorial Index



PLATE NO. : 37 HANDLE BAR ASSEMBLY	PAGE NO. 77

PLATE NO. : 38 FRONT FORK	PAGE NO. 79 - 81

PLATE NO. : 39 FUEL TANK	PAGE NO. 83

PLATE NO. : 40 SEAT ASSEMBLY & SEAT LOCK	PAGE NO. 85

Pictorial Index



PLATE NO. : 41 SPEEDOMETER	PAGE NO. 87	PLATE NO. : 42 CABLES	PAGE NO. 89

PLATE NO. : 43 SIDE COVERS & SEAT COWL FITTINGS	PAGE NO. 91	PLATE NO. : 44 LEG GUARDS, SAREE GUARD & GRAB HANDLE	PAGE NO. 93

Pictorial Index



PLATE NO. : 45 HEAD LIGHT	PAGE NO. 95 - 97	PLATE NO. : 46 INDICATOR LIGHT	PAGE NO. 99

PLATE NO. : 47 ELECTRICAL EQUIPMENT	PAGE NO. 102	PLATE NO. : 48 CHAIN CASE KIT & TOOL KIT	PAGE NO. 104

Pictorial Index



PLATE NO. : 49
FRONT & REAR NUMBER PLATE

PAGE NO.
107

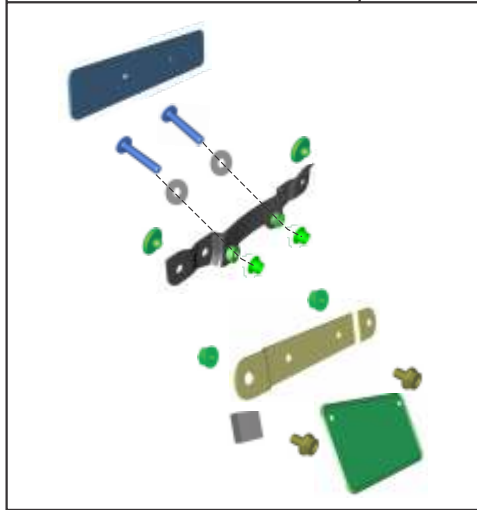


PLATE NO. : 50
PAINTED PARTS AND DECALS - V15

PAGE NO.
107 - 109



PLATE NO. : 51
PAINTED PARTS AND DECALS - V12

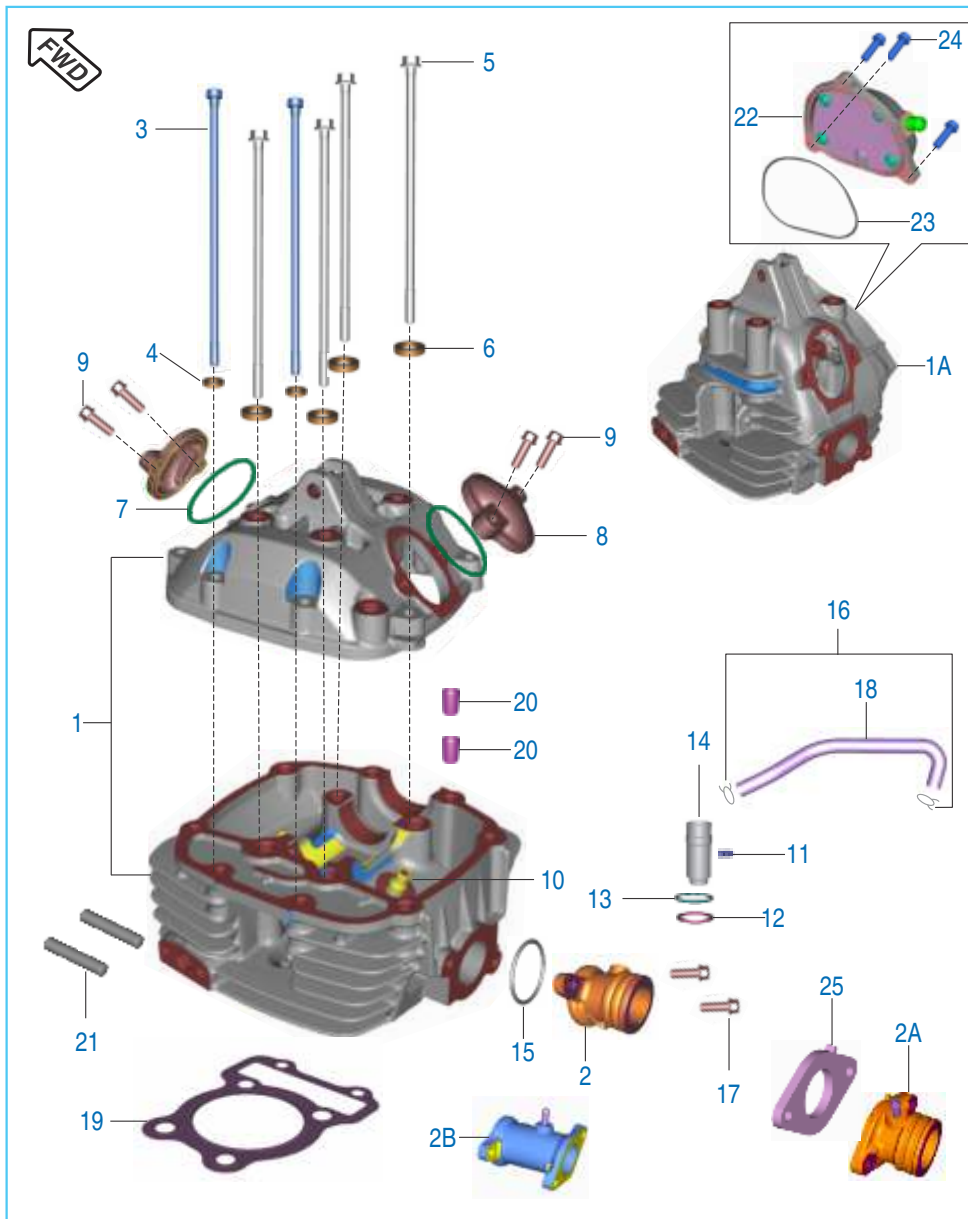
PAGE NO.
111 - 113



Pictorial Index

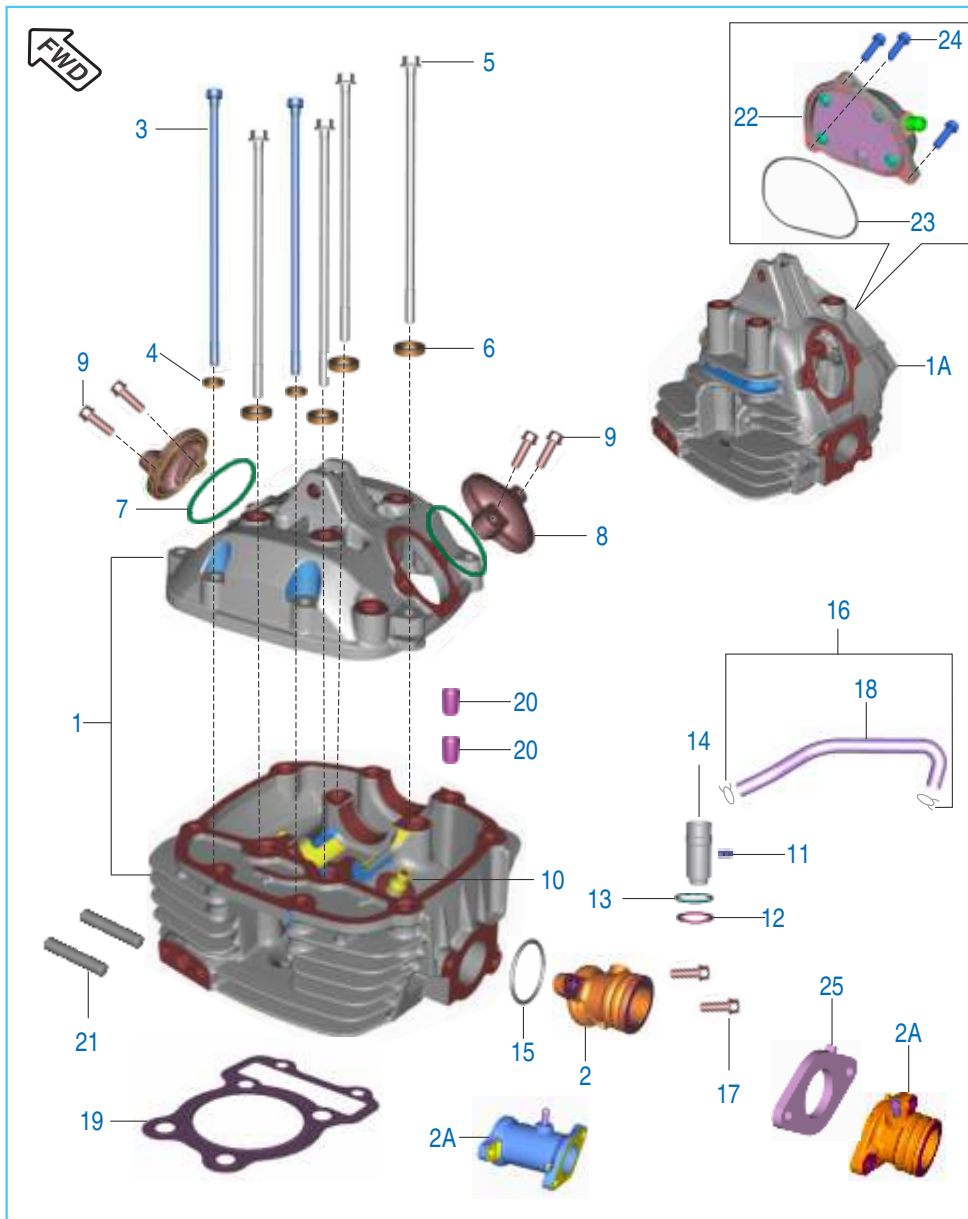


Cylinder Head & Cylinder Cover



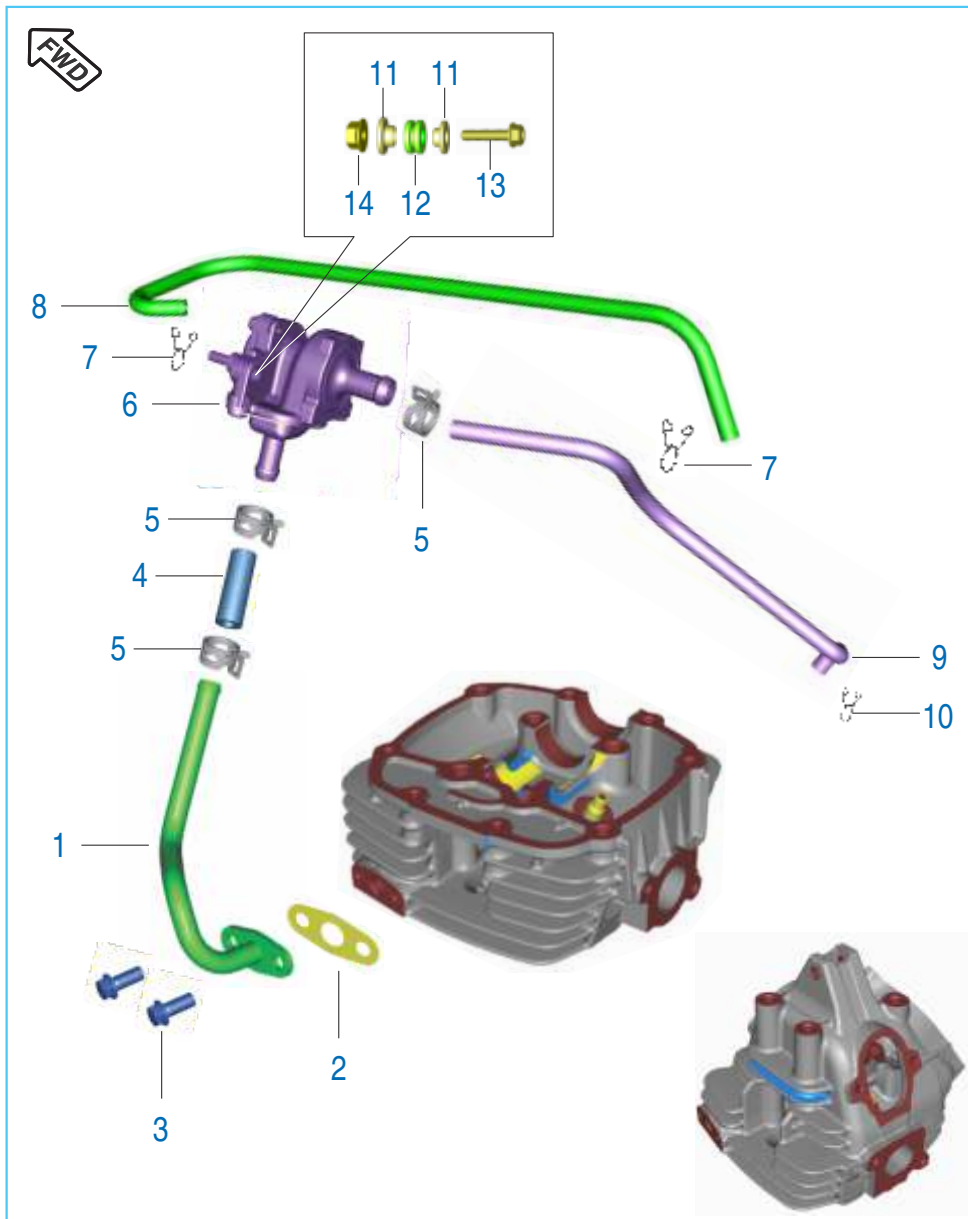
No.	Part No.	Description	Qty.		Remarks
			V15	V12	
1	36 JH00 23	Kit Cyl Head & Cover	1	-	Refer Kit Details
1A	36 JH00 27	Kit Cyl Head & Cover	-	1	Refer Kit Details
	JH 5110 87	Head cylinder cover assembly	1	-	V15 UG
2	JH 5814 01	Manifold Intake	1	-	
2A	52 JH07 73	Manifold assembly - Intake	1	-	V15 UG
2B	JH 5814 10	Manifold Intake	-	1	
3	LA C000 75	Bolt Socket	2	-	
4	LD A000 23	Washer	2	-	
5	LA D001 38	Flanged Bolt	4	-	
	LA D001 67	Bolt Flanged	-	4	
6	39 1612 11	Washer	4	4	
7	39 1020 21	O Ring Tappet Cover	2	-	
	JH 5110 50	O Ring Tappet Cover	-	2	
8	31 1010 06	Tappet Cap	2	-	
	52 JH55 05	Tappet Cover	-	2	
9	39 1673 04	Flanged Bolt	4	-	
	KA ED06 20	Bolt Flanged Small	-	4	
10	CB 1010 09	Seal Valve Stem	2	2	
11	39 2608 01	Grub Screw	1	1	
12	39 2629 21	O Ring	1	-	
	KJ AC18 24	O Ring	-	1	
13	39 1283 21	O Ring	1	1	
14	JB 5110 18	Sleeve Spark Plug	1	-	
	JF 5110 52	Sleeve Spark Plug	-	1	
15	39 2539 21	O Ring	1	-	
	LJ A000 11	O Ring	-	1	

Cylinder Head & Cylinder Cover



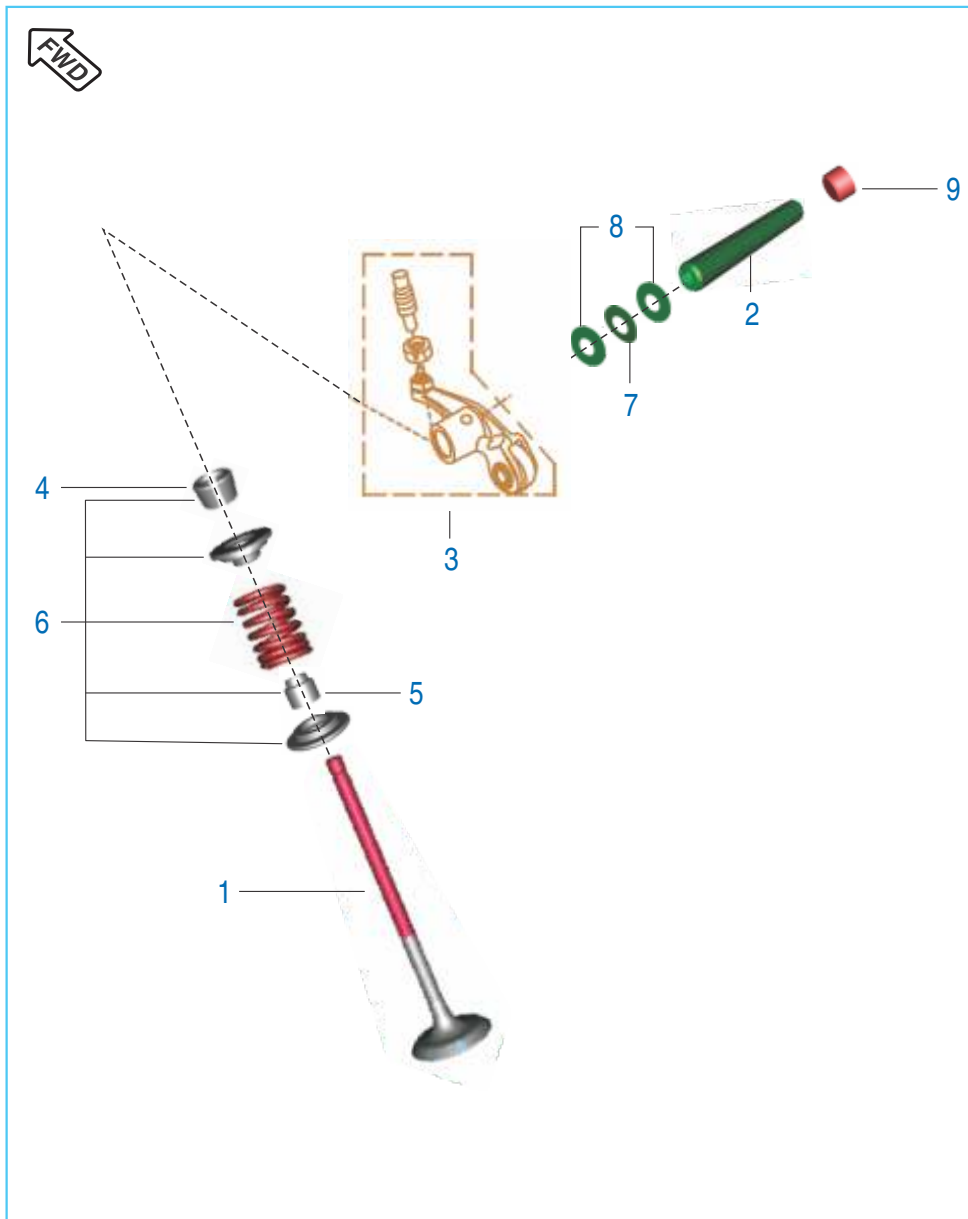
No.	Part No.	Description	Qty.		Remarks
			V15	V12	
16	DG 1210 40	Clamp Breather Pipe	2	2	
17	39 1674 04	Bolt Silver Colour	2	-	
	LA D000 11	Bolt Flanged	-	2	
18	JH 5810 07	Breather Pipe	1	-	
	JH 5810 30	Tube Breather	-	1	
19	JH 5110 16	Gasket Cylinder Head	1	-	
	JH 5110 44	Gasket Head	-	1	
20	39 0999 06	Dowel	2	-	
	39 1000 06	Hollow Dowel Pin	-	2	
21	39 1660 05	Stud	2	2	
22	52 JH55 06	Assembly OHC Cover	-	1	
23	JH 5110 45	O Ring OHC Cover	-	1	
24	KA ED06 20	Bolt Flanged Small	-	3	
25	JH 5814 13	Insulator head side	1	-	V15 UG

SAI System



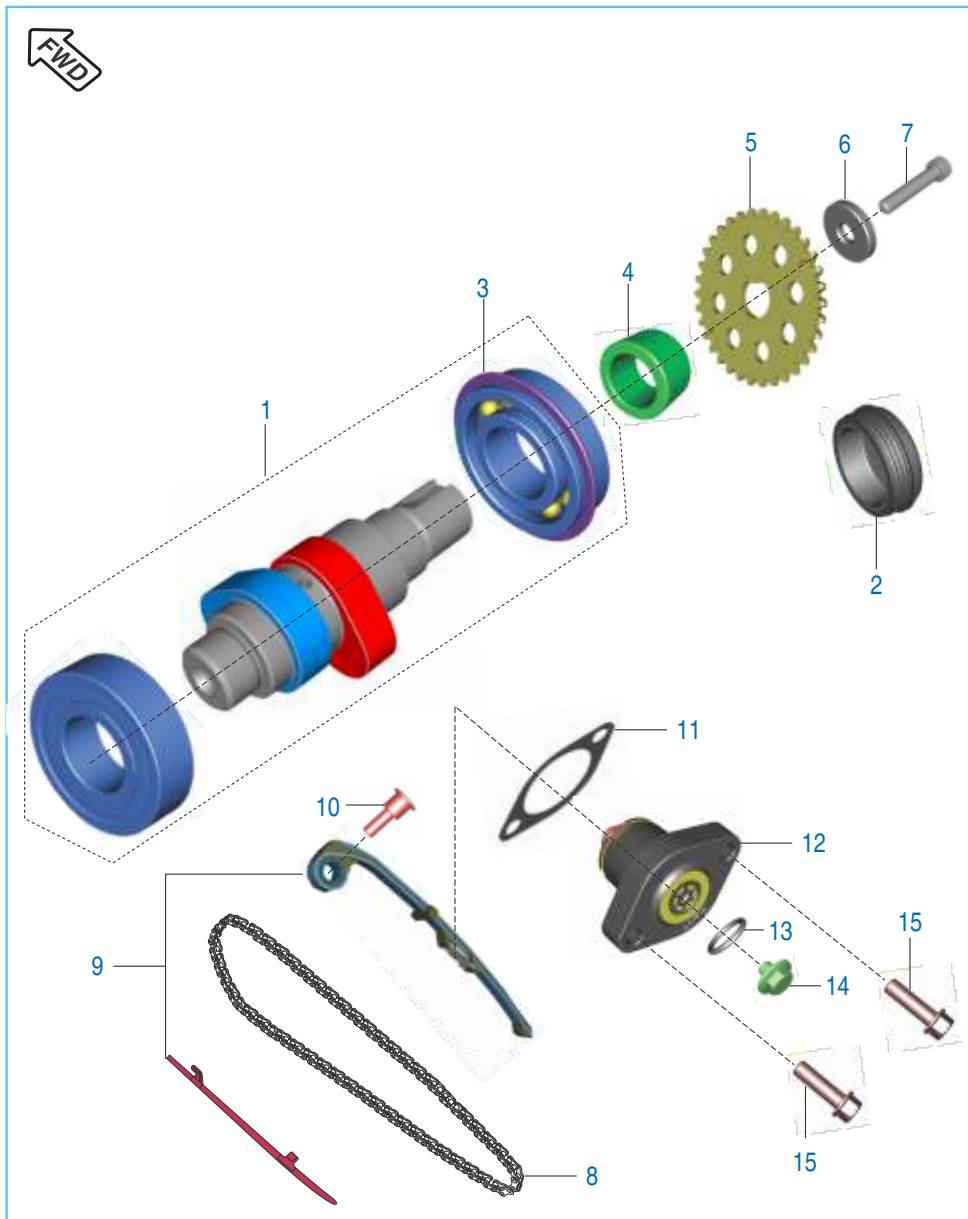
No.	Part No.	Description	Qty.		Remarks
			V15	V12	
1	JH 5824 02	Tube SAI To Cylinder Head	1	1	
2	JE 5110 67	Gasket SAI Flange	1	1	
3	KA EG06 14	Bolt - Flanged - Small	2	2	
4	JE 5810 35	Hose Connector D106C SAI	1	1	
5	JE 5810 39	Band Clip SAI Hose Outlet Tube	3	2	
6	JH 5822 00	SAI Unit	1	1	
7	DG 1210 03	Clamp	2	2	
8	JH 5824 05	Hose SAI Intake Manifold	1	1	
9	JH 5824 00	Hose Intake SAI C101	1	1	
10	JY 5810 28	Clamp	1	1	
11	JD 1138 15	Sleeve SAI Unit	4	4	
12	JD 1138 14	Grommet SAI Unit	2	2	
13	KA DF06 30	Bolt Flanged	2	2	
14	KC GA06 06	Nut Hex Flanged	2	2	

Valve



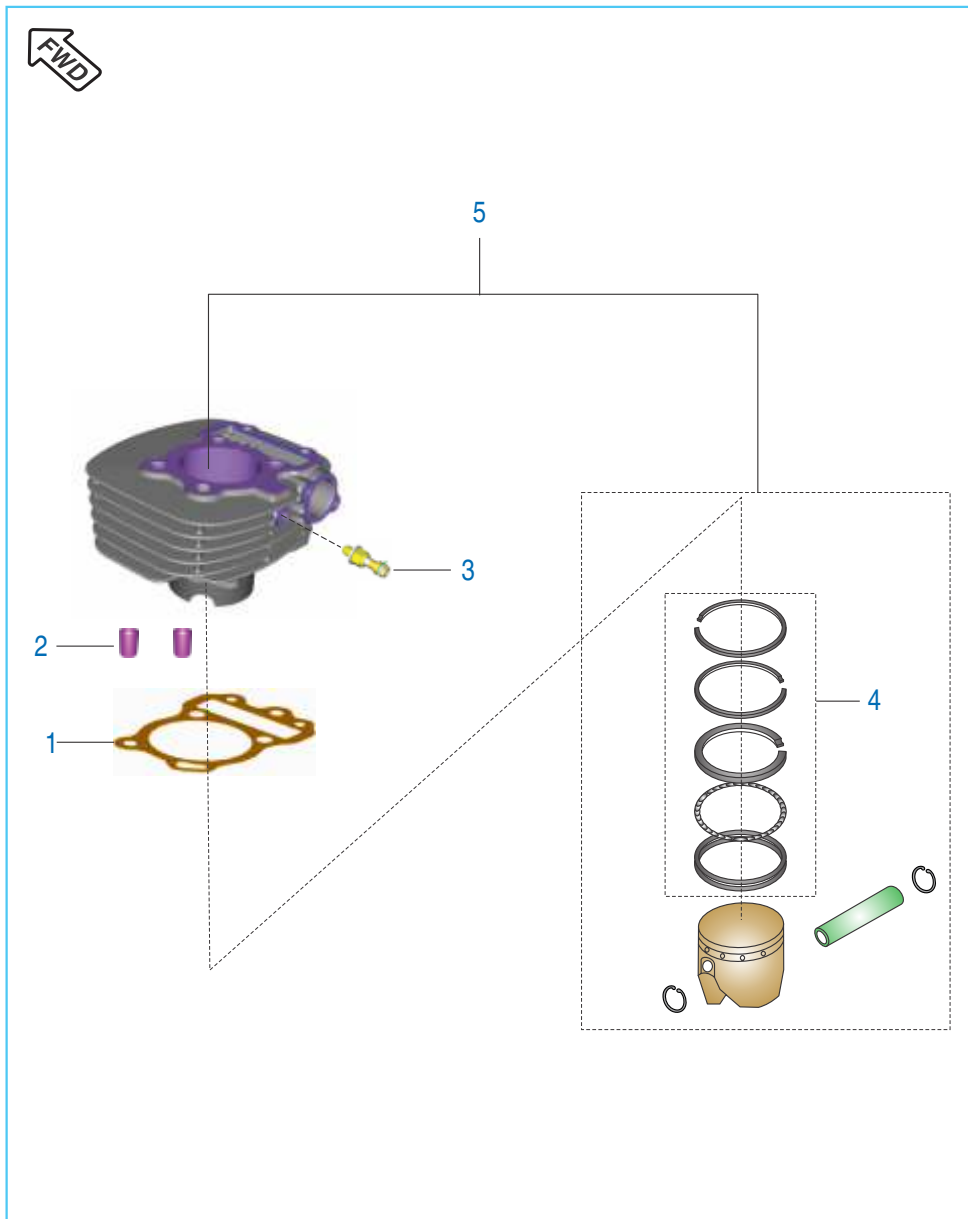
No.	Part No.	Description	Qty.		Remarks
			V15	V12	
1	36 JH00 19	Kit Valve	1	--	Refer Kit Details
	36 JH00 28	Kit Valve	--	1	Refer Kit Details
2	DK 1017 51	Rocker Arm Shaft	2	2	
	JH 5112 07	Rocker Arm Assembly	2	-	
3	JH 5112 10	Assembly Rocker Arm	-	2	
	DG 1010 29	Cotter valve	4	-	
4	CB 1010 22	Cotter Valve	-	4	
	CB 1010 09	Seal Valve Stem	2	2	
5	36 JH00 08	Kit Valve Repair	1	-	Refer Kit Details
	36 JH00 29	Kit Valve Repair	--	1	Refer Kit Details
6	DH 1012 95	Wave washer	2	-	
7	39 2440 11	Plain washer	4	-	
8	JH 5110 28	Taper Plug 1/4	2	-	

Camshaft & Tensioner



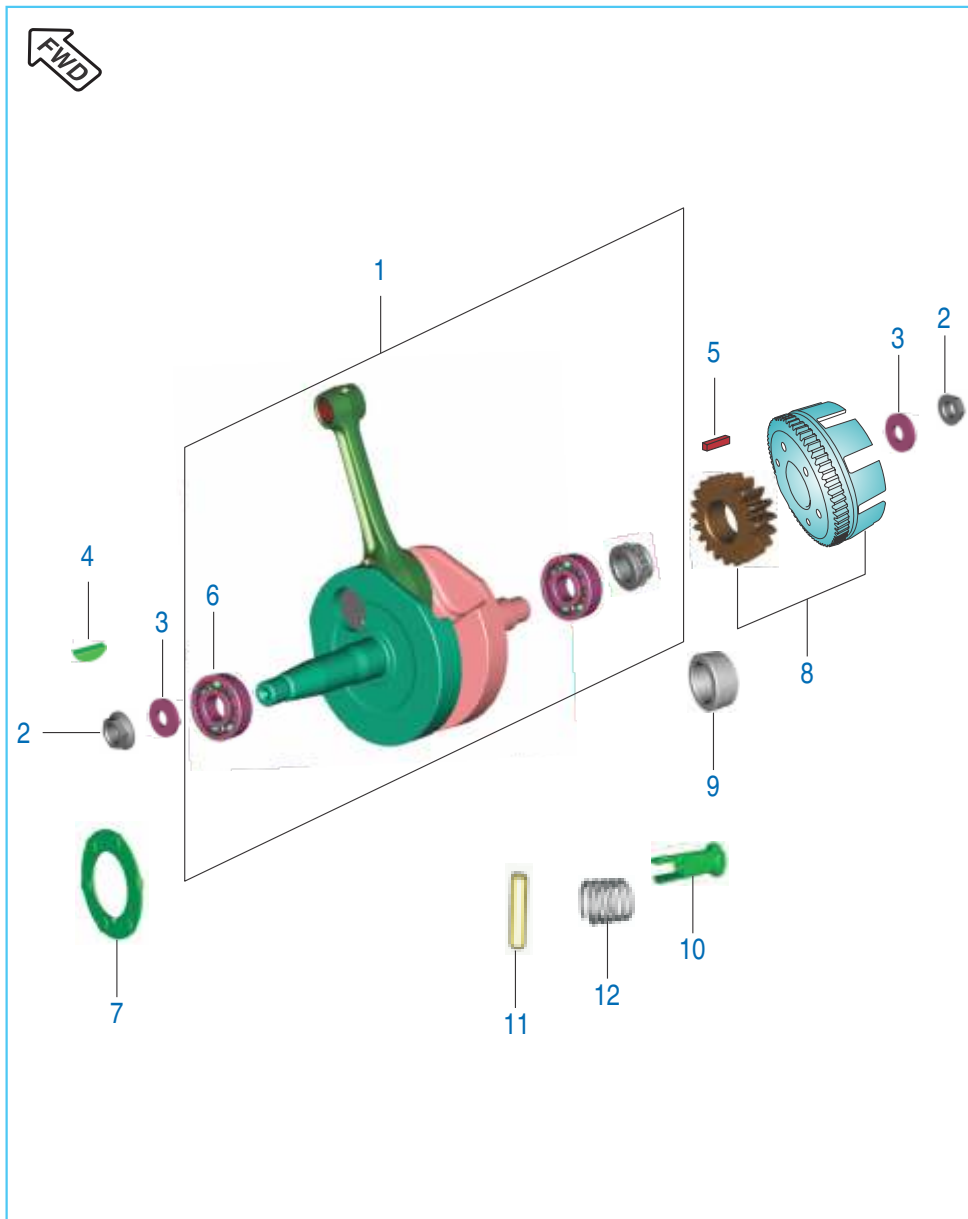
No.	Part No.	Description	Qty.		Remarks
			V15	V12	
1	JH 5112 08	Camshaft Assembly	1	-	
	DY 5112 04	Assembly Camshaft	-	1	
2	JH 5110 17	Cap Shaft	1	-	
3	39 0594 17	Internal Circlip	1	1	
4	JA 5112 16	Spacer Cam Sprocket	1	1	
5	JE 5112 37	Sprocket	1	-	
	DS 1012 76	Sprocket Camshaft	-	1	
6	DH 1010 48	Special Washer	1	1	
7	DK 1013 86	Hexagon Socket Head Cap Bolt	1	1	
	DH 1021 25	Bolt Special Camshaft	-	1	
8	JE 5112 36	Chain Cam	1	-	
	DS 1099 05	Cam Chain	-	1	
9	36 JZ01 22	Kit Guide Chain	1	--	Refer Kit Details
	36 PA01 15	Kit Guide Chain	--	1	Refer Kit Details
10	DH 1013 92	Bolt	1	1	
11	CS 1011 28	Gasket	1	1	
12	JH 5210 05	Chain Tensioner	1	1	
13	39 2669 21	O Ring	1	1	
14	DD 1010 62	Bolt	1	1	
15	39 1673 04	Bolt Silver Colour	2	-	
	KA ED06 20	Bolt Flanged Small	-	2	

Cylinder and Piston



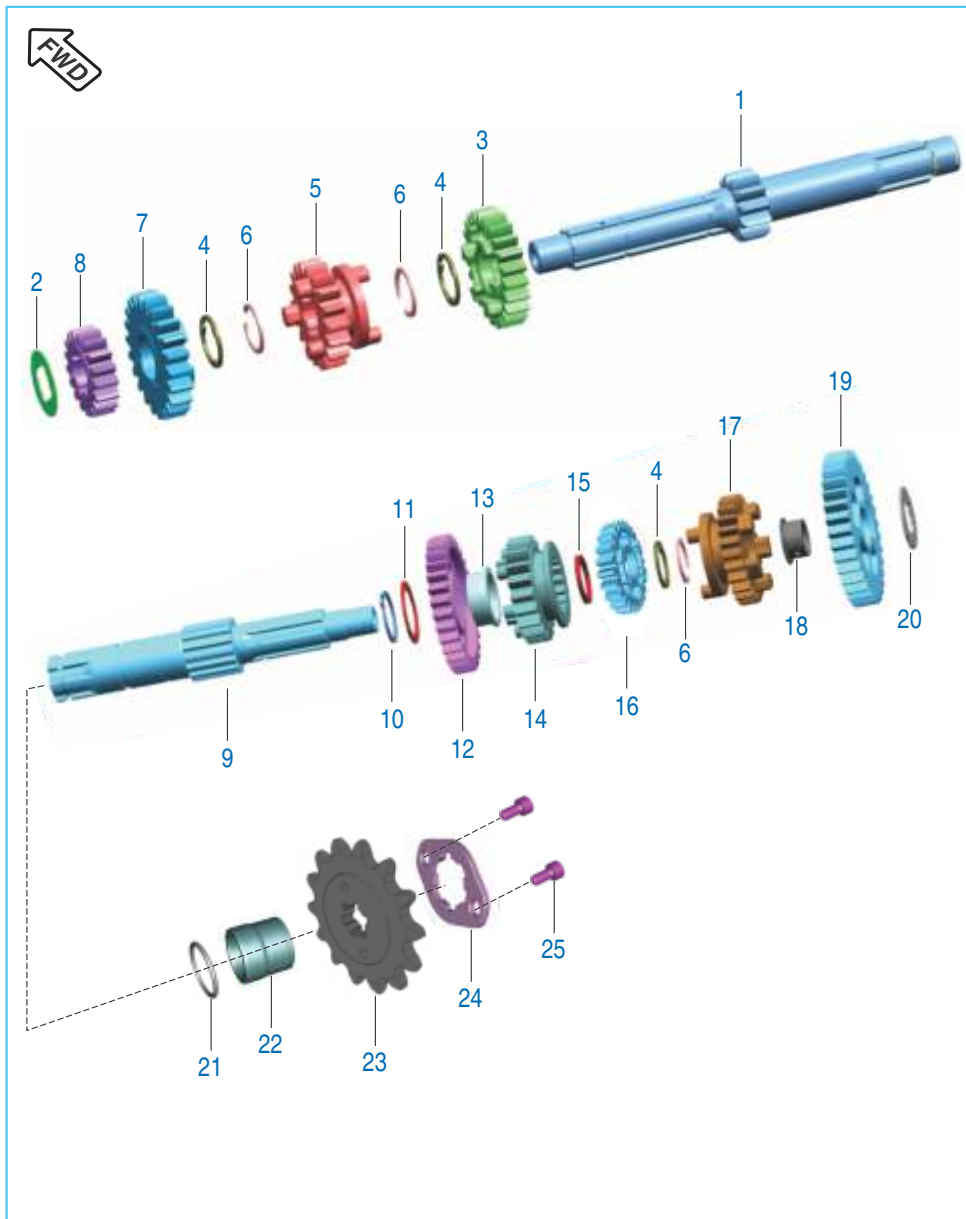
No.	Part No.	Description	Qty.		Remarks
			V15	V12	
1	JH 5210 01	Gasket Cylinder	1	--	
	JH 5210 07	Gasket Cylinder Block	1	1	For BS IV Model
	JE 5210 33	Gasket Cylinder Block	1	1	
2	39 1000 06	Hollow Dowel Pin	2	2	
3	JE 3514 03	Engine Temperature Sensor	1	1	
4	36 JH00 01	Kit Piston Ring	1	--	Refer Kit Details
	36 JH00 32	Kit Piston Ring	--	1	Refer Kit Details
5	36 JH00 03	Kit Cylinder Block & Piston	1	--	Refer Kit Details
	36 JH00 30	Kit Cylinder Block & Piston	--	1	Refer Kit Detail

Crankshaft



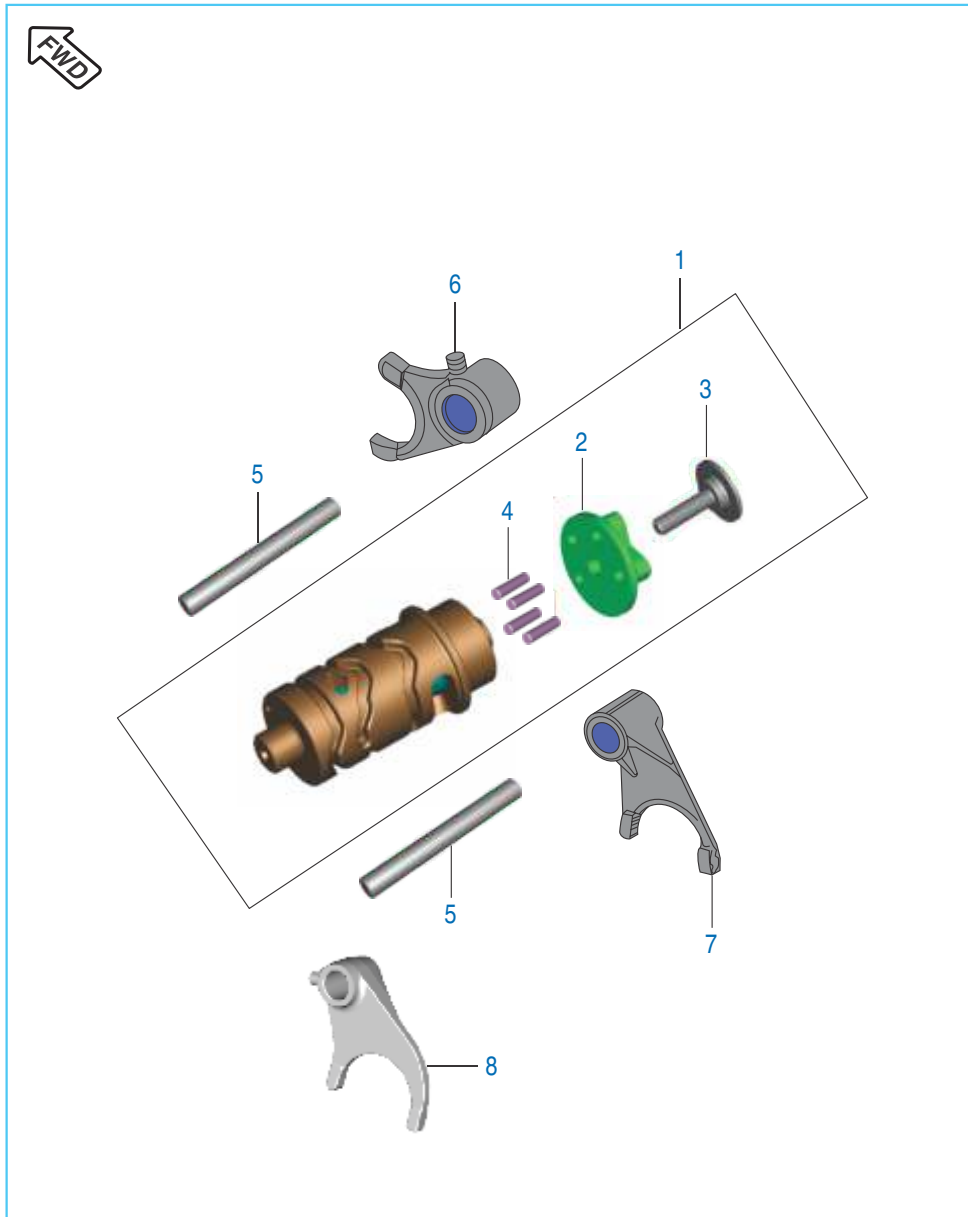
No.	Part No.	Description	Qty.		Remarks
			V15	V12	
1	JH 5310 00	Crankshaft Assembly	1	-	
	JH 5310 07	Crankshaft Assembly	-	1	
2	59 1500 14	Nut Flange	2	2	
3	LD A000 25	Plain washer	2	2	
4	31 1011 73	Key woodruff	1	1	
5	DS 1011 54	Parallel key	1	1	
6	JE 5310 01	Bearing 22 x 56 x 16	2	2	
7	JE 5410 38	Damper Crankshaft	1	1	
8	36 JZ00 03	Kit Gear Primary Drive & Driven	1	--	Refer Kit Details
	36 JZ00 23	Kit Gear Primary Drive & Driven	--	1	Refer Kit Details
	36 PF00 88	Kit Primary Drive & Driven	-	1	1D - 4UP Model
9	JD 5310 04	Spacer Crankshaft	1	1	
10	JB 5310 21	Plunger	1	1	
11	JA 5310 15	Pin	1	1	
12	JA 5310 12	Spring	1	1	

Transmission

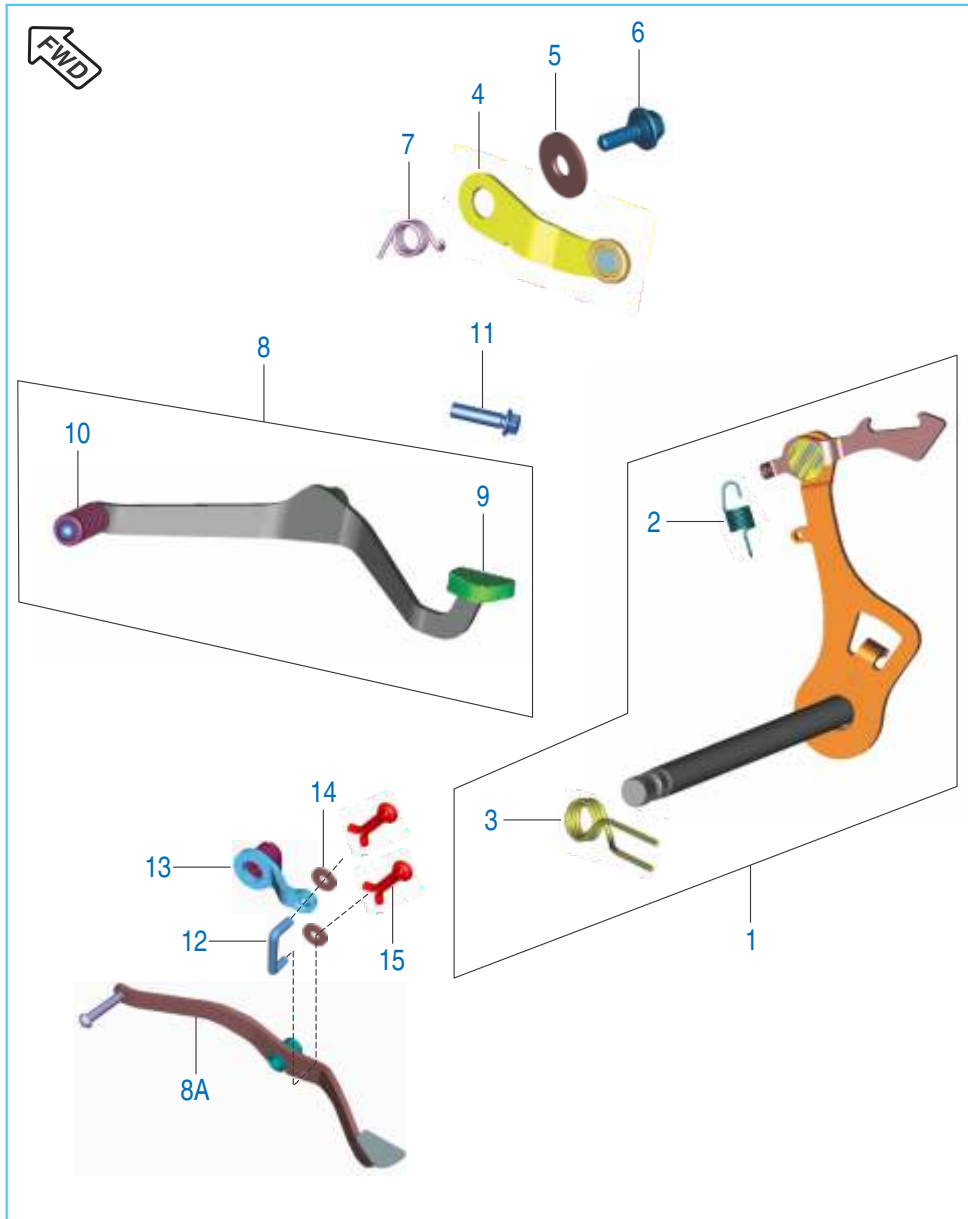


No.	Part No.	Description	Qty.		Remarks
			V15	V12	
1	JE 5510 01	Shaft Input	1	--	
	JZ 5510 10	Shaft Input	--	1	
2	JA 5510 04	Washer Thrust 2nd Drive	1	1	
3	JE 5512 02	Gear 4th Drive	1	--	
	JZ 5512 02	Gear 4th Drive	--	1	
4	JA 5510 02	Spline Washer	3	3	
5	JE 5512 01	Gear 3rd Drive	1	1	
6	39 0987 17	Ring Snap	3	3	
7	JE 5512 03	Gear 5th drive	1	--	
	JZ 5512 13	Gear 5th drive	--	1	
8	JE 5512 00	Gear 2nd drive	1	1	
9	JH 5510 01	Shaft Output	1	1	
10	DH 1012 35	Circlip External	1	1	
11	39 2166 11	Special Washer	1	1	
12	JH 5512 04	Gear 2nd Driven	1	1	
13	JH 5512 05	Bush Gear 2nd Driven	1	1	
14	JH 5512 06	Gear 5th Driven	1	--	
	JH 5512 10	Gear 5th Driven	--	1	
15	JH 5512 03	Washer Gear 3rd Driven	1	1	
16	JE 5512 06	Gear 3rd Driven	1	1	
17	JE 5512 16	Gear 4th Driven	1	--	
	JH 5512 11	Gear 4th Driven	--	1	
18	JE 5512 12	Bush 1st Gear Driven	1	1	
19	JE 5512 15	Gear 1st Driven	1	1	
20	JE 5512 11	Washer 1MM	1	1	
21	30 1010 61	O - Ring 13.8 x 1.9	1	1	
22	JH 5510 02	Collar Sprocket Drive	1	1	
23	JH 5512 01	Sprocket Output 14T	1	1	
24	JH 5512 02	Plate Lock - Sprocket Output	1	1	
25	DS 1013 55	Bolt - Flanged - Small	2	2	

Change Drum & Shift Fork

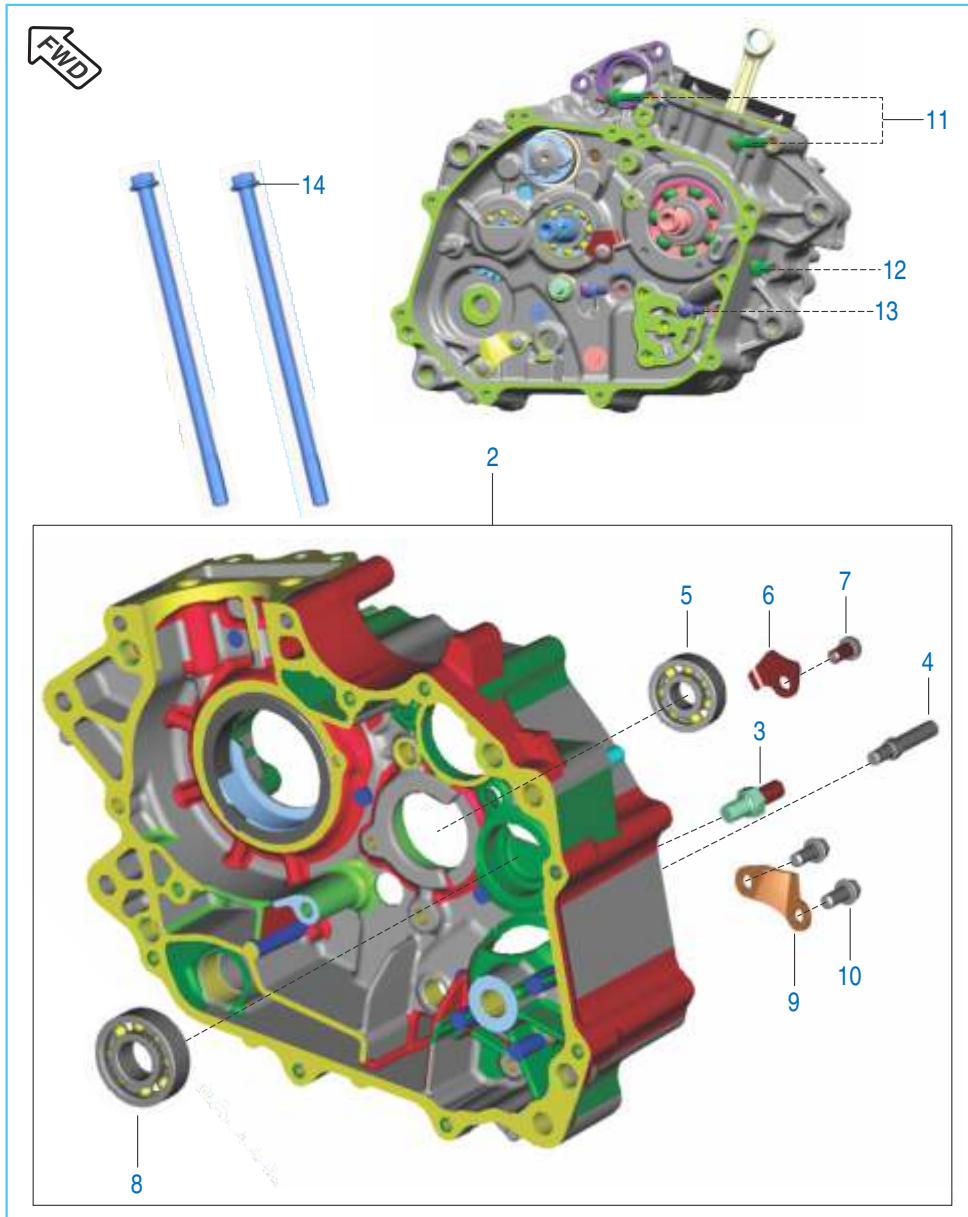


No.	Part No.	Description	Qty.		Remarks
			V15	V12	
1	PA 5610 02	Assembly Drum Gear Shift	1	1	
	JE 5610 06	Drum Comp Gear Shift	1	1	1D - 4UP Model
2	JE 5610 05	Cam Drum Change	1	1	1D - 4UP Model
3	JD 5610 11	Special Bolt Drum Change M6 x 1	1	1	
4	39 0992 06	Dowel	4	4	
5	JD 5610 06	Shaft Gear Fork Shift	2	2	
6	JD 5610 04	Fork Gear Shift Output	1	1	
7	JZ 5610 02	Fork Input Disco - H	1	1	
8	JH 5610 00	Fork Gear Shift 5th Driven	1	1	



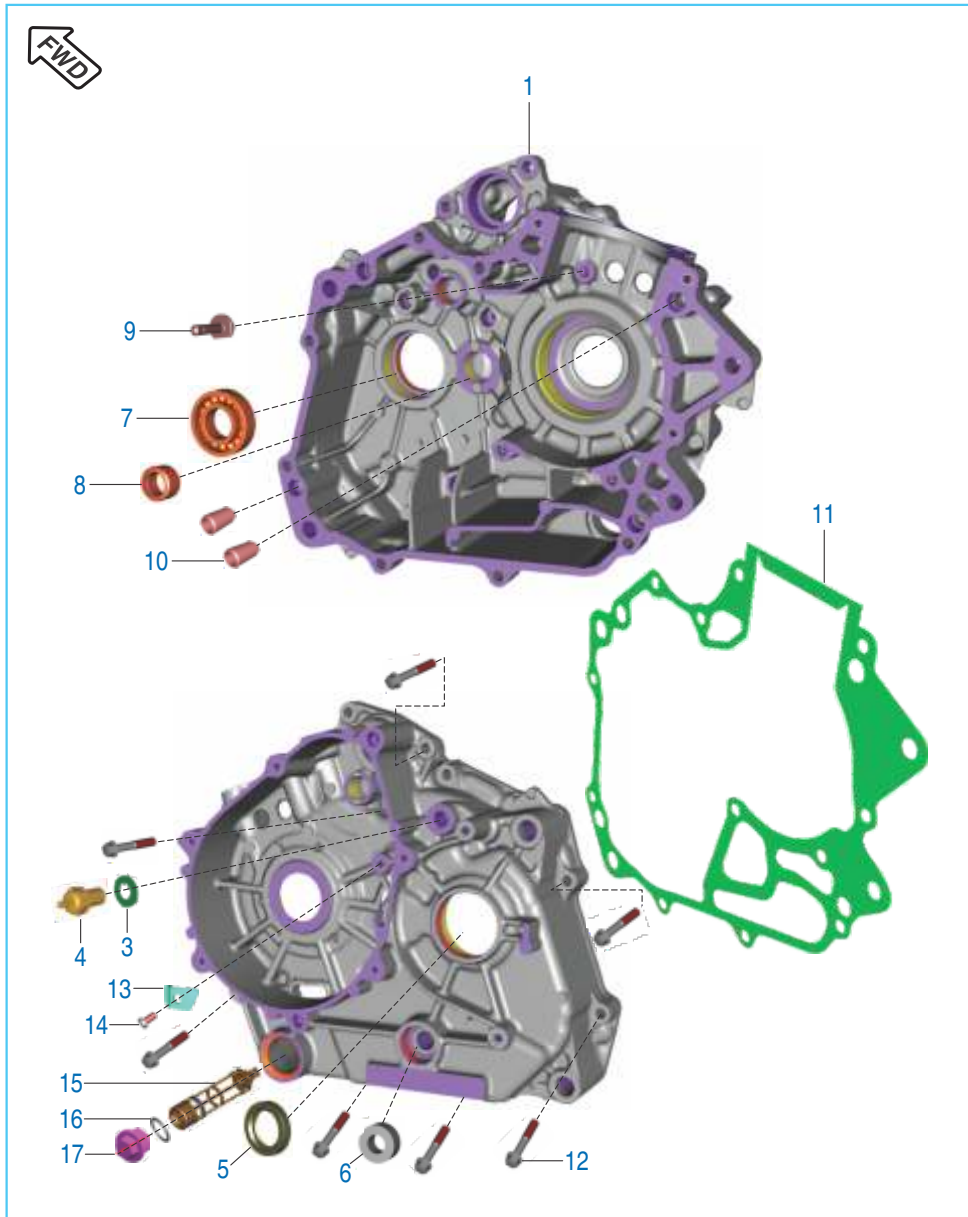
Gear Change Mechanism

No.	Part No.	Description	Qty.		Remarks
			V15	V12	
1	52 JZ02 64	Lever Complete Gear Shifter	1	1	
2	JW 5612 06	Extension Spring	1	1	
3	JW 5612 08	Spring Gear Shift Return	1	1	
	JE 5612 00	Spring Gear Shift Return	1	-	1D - 4UP Model
4	PA 5612 09	Inhibitor Complete Gear Shift	1	1	
5	LD B000 44	Plain Washer	1	1	
6	BF 5612 19	Bolt M6 x 1	1	1	
7	JD 5612 04	Spring Inhibitor	1	1	
8	JH 5614 02	Assembly Gear Shift Lever C101	1	1	
8A	JH 5612 12	Lever Assembly Gear Change	1	1	1D - 4UP Model
9	JH 5614 04	Rubber Damper GSL C101	1	1	
10	DH 1015 09	Damper	1	1	
11	KA ED06 22	Bolt - Flanged - Small	1	1	
12	JH 5614 09	Rod Tie	1	1	1D - 4UP Model
13	JH 5612 13	Arm Lever Change	1	1	1D - 4UP Model
14	JD 5614 16	Washer - Nylon	1	1	1D - 4UP Model
15	KH AA20 15	Pin Snap	2	2	1D - 4UP Model



Engine Assembly & Crankcase RH

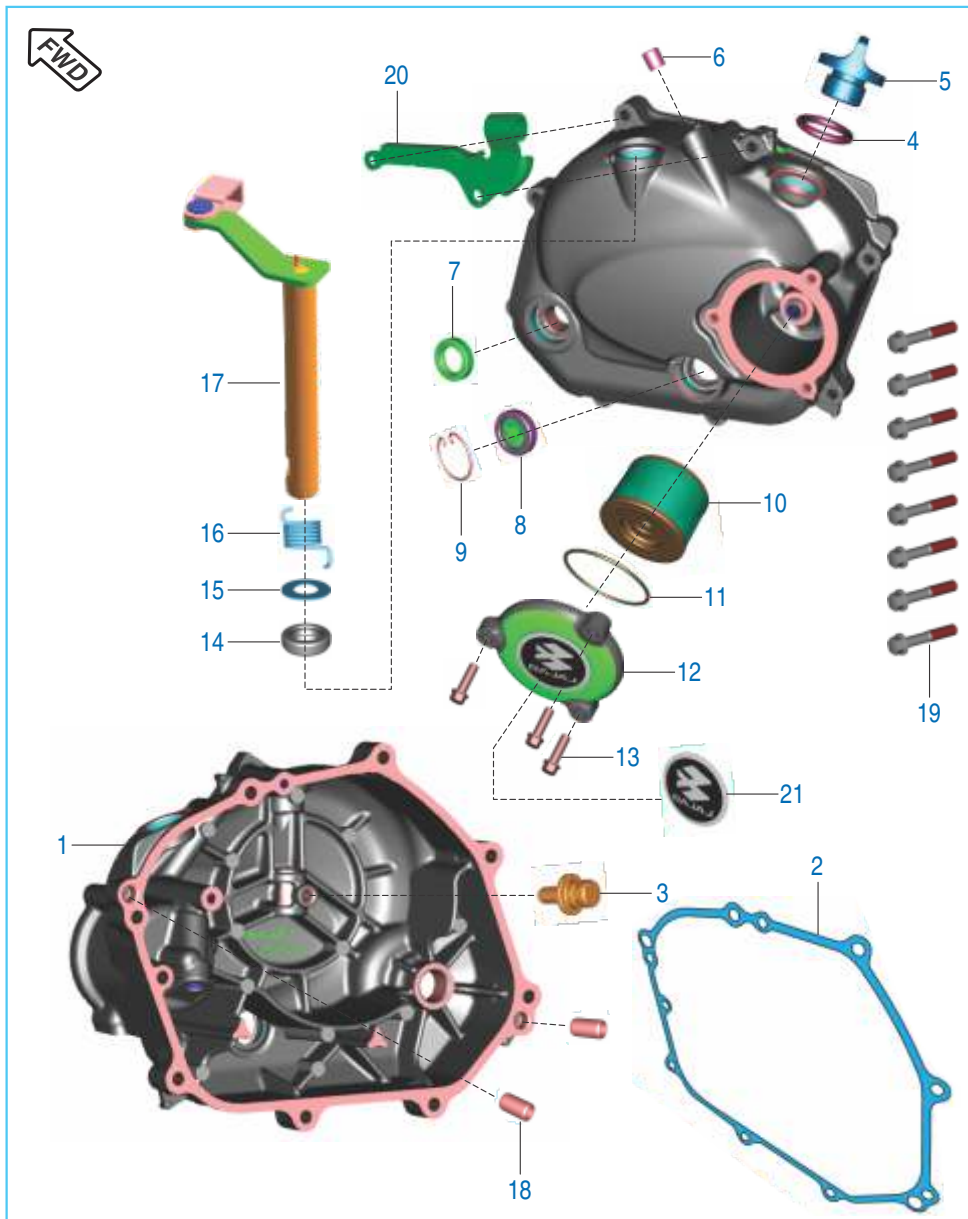
No.	Part No.	Description	Qty.		Remarks
			V15	V12	
1	JH 5010 01	Engine Assembly	1	-	N.I.For BS IV Model
	JH 5010 30	Engine Assembly	1	-	1D - 4UP Model
	JH 5010 03	Assembly Engine	-	1	
	JH 5010 31	Engine Assembly	-	1	1D - 4UP Model
2	36 JH00 22	Kit Assembly Crankcase RH	1	--	Refer Page No.98
	JH 5410 08	Assly Crankcase RH	--	1	
3	52 JA00 29	Bolt Shift Change	1	1	
4	JE 5410 28	Pin	1	1	
5	59 2000 36	Ball Bearing 6203	1	1	
6	JA 5410 10	Stopper Plate Input Bearing	1	1	
7	DH 1013 80	Screw Pan Head (M6 x 12)	1	1	
8	KP BF62 01	Ball Bearing C3 Clearances	1	1	
9	JA 5410 12	Guide Kick	1	1	
10	39 1964 04	Bolt Flanged Small	2	-	
	DH 1016 39	Lock Screw Earthing	-	1	
11	39 1740 04	Bolt Silver Colour M6 x 85L	2	2	
12	59 0400 38	Bolt Silver Colour M6 x 35L	1	1	
13	KA EF06 50	Bolt M6 x 50	2	2	
14	KA ER06 C0	Bolt Flange Small	-	2	



Crankcase LH

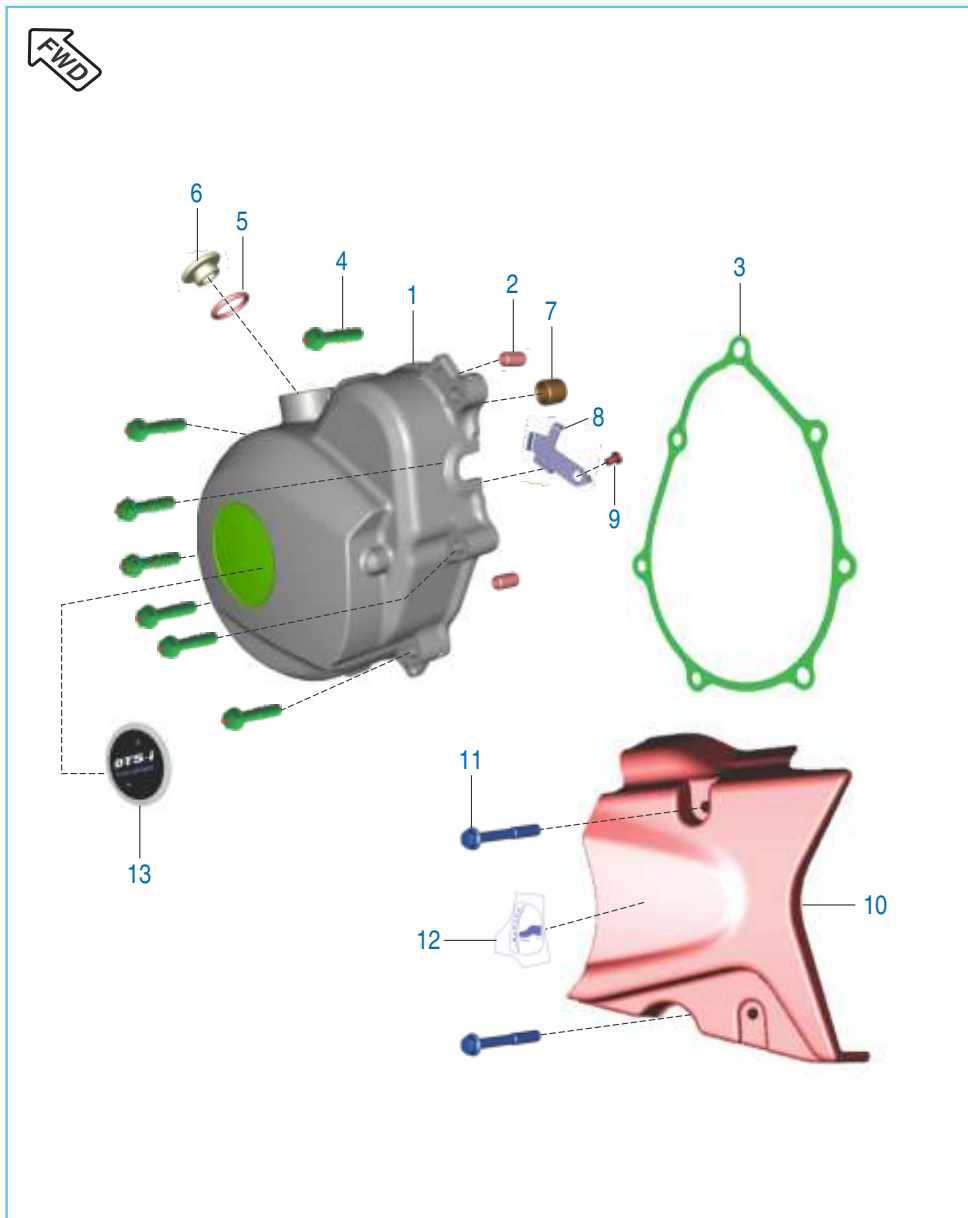
No.	Part No.	Description	Qty.		Remarks
			V15	V12	
1	36 JH00 21	Kit Assly Crankcase LH	1	1	Refer Kit Details
2	36 JH00 25	Kit Engine Gasket	1	--	Refer Kit Details
	36 JH00 46	Kit Engine Gasket	--	1	Refer Kit Details
3	DH 1017 84	Gasket Neutral Switch	1	1	
4	31 2010 81	Switch Complete	1	1	
5	39 2189 19	Oil Seal	1	1	
6	39 2190 19	Oil Seal	1	1	
7	39 2583 20	Ball Bearing 6004 HN3 D8	1	1	
8	39 2562 20	Needle Roller Bearing	1	1	
9	JZ 5410 05	Oil Jet	1	1	
10	39 1000 06	Dowel	2	2	
11	JH 5410 15	Gasket	1	1	
12	59 0400 38	Bolt Silver Colour M6 X 35L	7	7	
13	PF 6214 02	Stopper Gear Starter	1	-	
	JH 5410 21	Bracket Gear Stopper	1	1	For BS IV Model
14	DH 1013 80	Screw Pan Head (M6 x 12)	1	1	
15	JG 5710 24	Mesh Oil Filter Assembly	1	1	
16	59 2100 23	O Ring	1	1	
17	JV 5410 06	Cap Strainer	1	1	

Cover Clutch



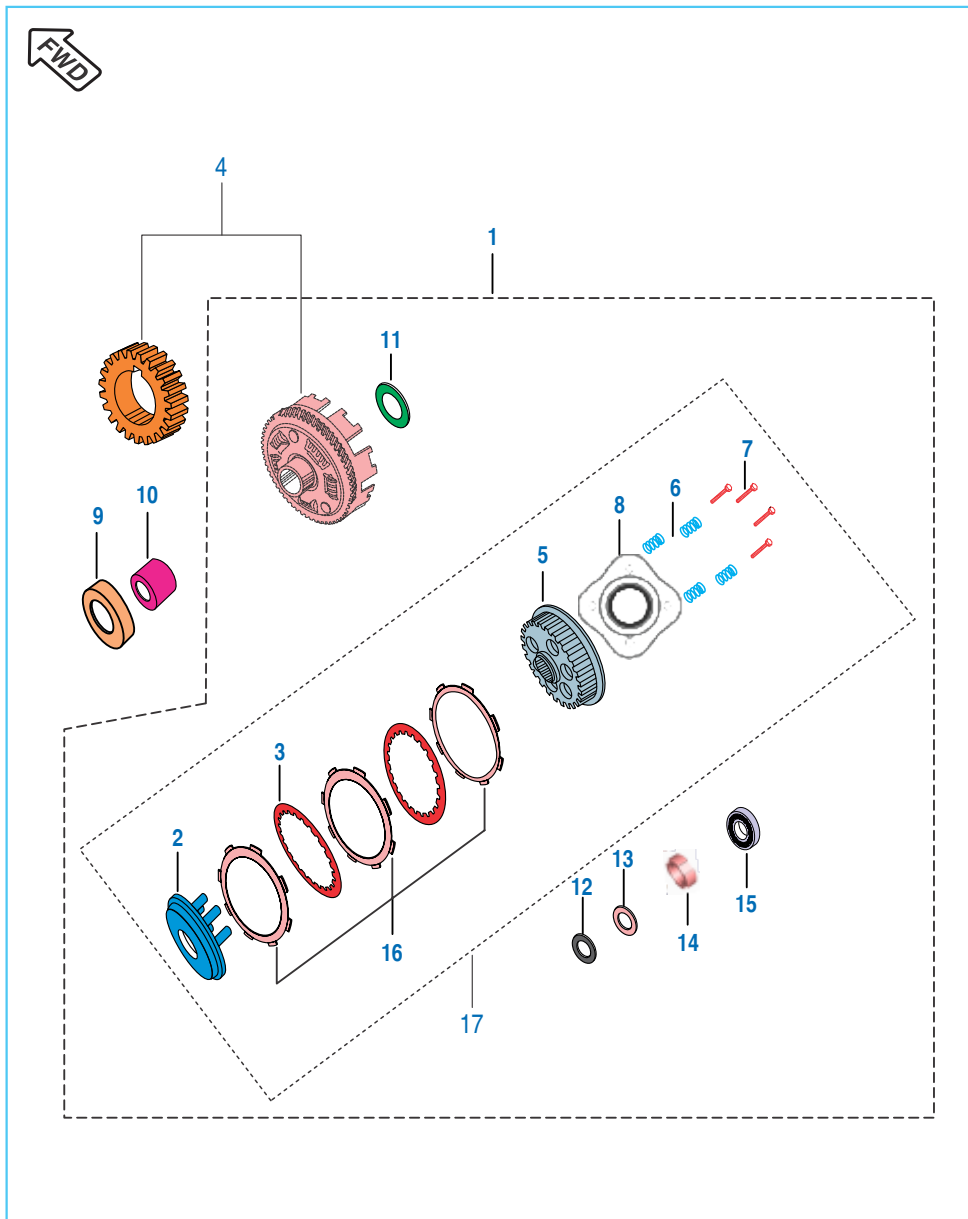
No.	Part No.	Description	Qty.		Remarks
			V15	V12	
1	36 JH00 53	Kit Assly Clutch Cover	1	--	Refer Kit Details
	36 JH00 52	Kit Assly Clutch Cover	--	1	
2	JA 5412 12	Gasket Clutch Cover	1	1	
3	JE 5514 08	Rod Push	1	-	
	PF 5514 07	Rod Push	-	1	
4	JA 5412 25	'O' Ring Cap Oil Filler	1	1	
5	JA 5412 11	Cap Oil Filler	1	1	
6	31 1010 64	Plug	1	1	
7	30 1011 42	Oil Seal	1	1	
8	JL 5412 27	Window Oil Gauge	1	1	
9	DS 1012 15	Wire Clip	1	1	
10	DD 1211 81	Element Oil Filter	1	1	
11	39 1671 21	O Ring ID 59.6 x 2.4	1	1	
12	JH 5412 17	Oil Filter Cap With Decal	1	1	
13	39 1673 04	Bolt M6 x 1 x 20	3	-	For BS IV Model
	LA E000 05	Bolt Flanged - M6 x 1 x L20	3	3	
14	39 1041 19	Oil Seal	1	1	
15	39 2443 11	Washer	1	1	
16	JH 5412 10	Spring Torsion Clutch Lever	1	1	
17	JH 5412 12	Assembly Shaft Clutch Release	1	1	
18	39 0999 06	Pin Dowel	2	2	
19	59 0400 38	Bolt Flanged (M6 x 1 x 35L)	8	8	
20	JH 5412 09	Bracket Clutch Cable	1	1	
21	JH 5412 15	Decal	1	1	

Cover Magneto



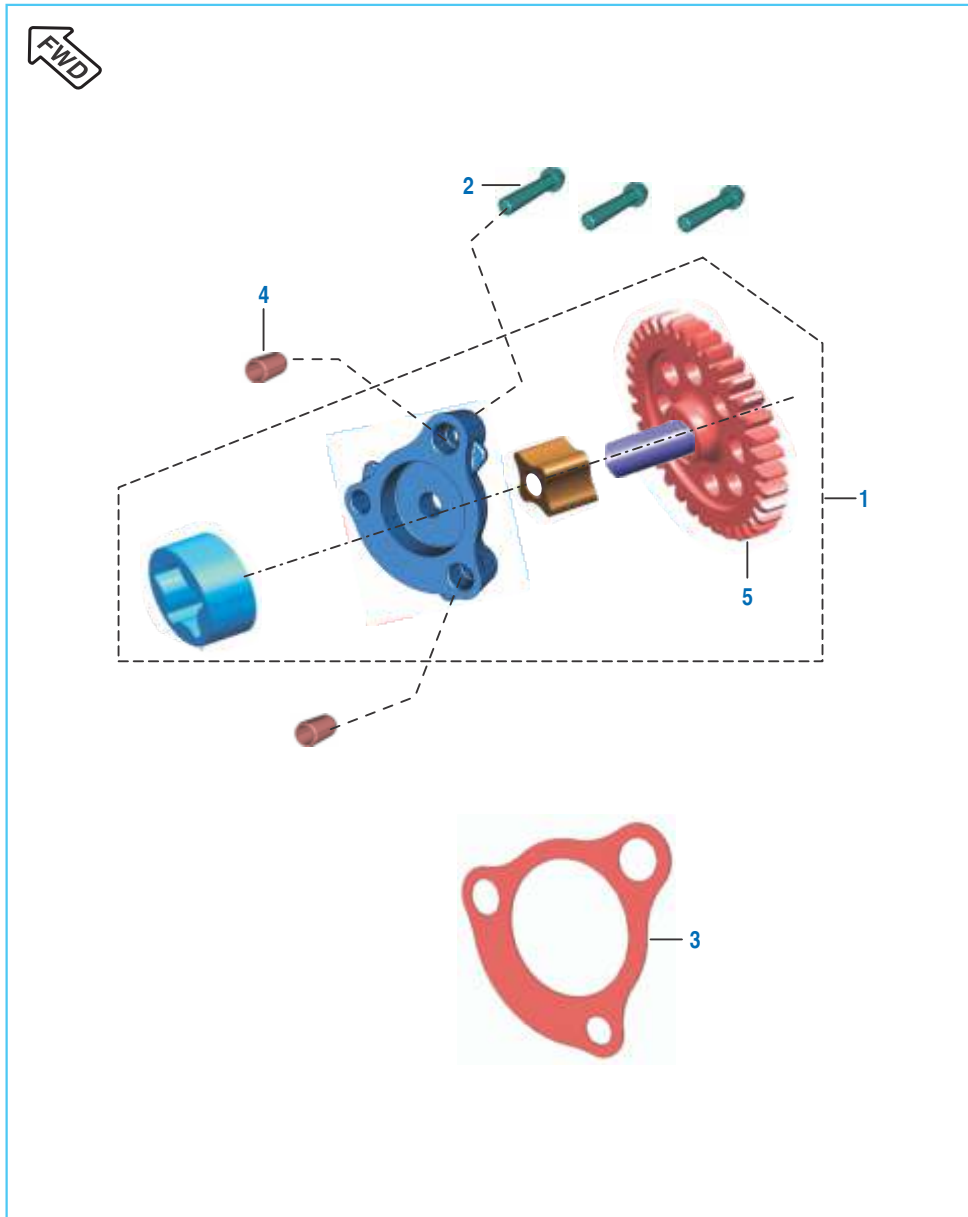
No.	Part No.	Description	Qty.		Remarks
			V15	V12	
1	JH 5412 02	Magneto Cover With Bush, Cap TDC	1	1	Without Decal
2	39 0999 06	Dowel Pin	2	2	
3	PF 5412 40	Gasket Magneto Cover	1	1	
4	59 0400 38	Flange Bolt	7	7	
5	30 1011 95	O Ring	1	1	
6	JA 5412 33	Cap TDC Finder	1	1	
7	JA 5410 05	Bush (Starter Clutch)	1	1	
8	JH 5412 07	Bracket Harness	1	1	
9	KB AB06 08	Screw - Pan	1	1	
	KB BC06 08	Screw Pan Cross	-	1	1D - 4UP Model
10	JH 5412 05	Assembly Cover LH RR With Label	1	1	
	JH 5412 41	Cover Assembly Rear LH	1	1	1D - 4UP Model
11	KA ED06 45	Flange Bolt M6 x 45L	2	2	
12	JH 5412 11	Label Gear Shift	1	1	
13	JH 5412 16	Label Magneto Cover	1	1	

Clutch Assembly



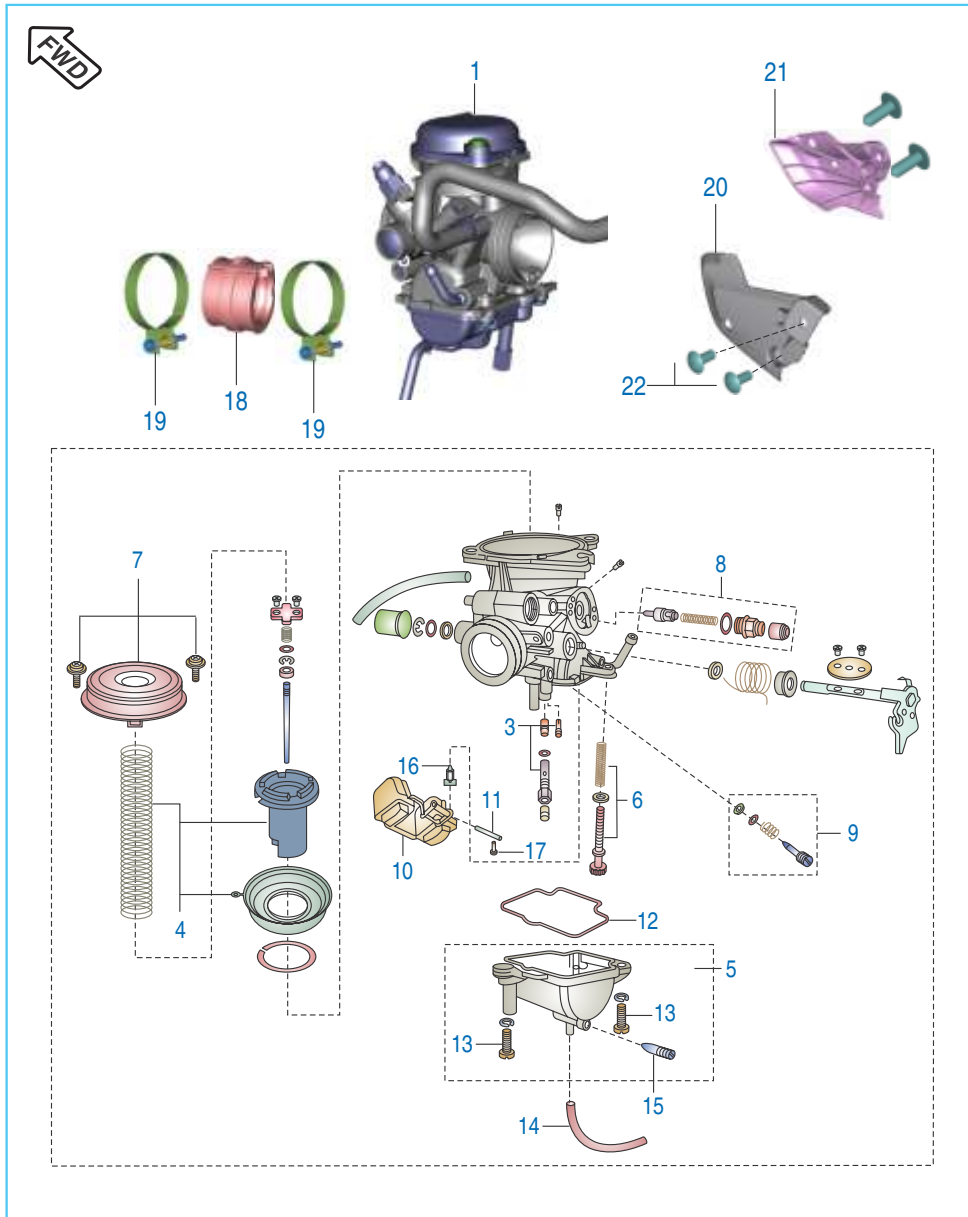
No.	Part No.	Description	Qty.		Remarks
			V15	V12	
1	JH 5514 00	Assembly Clutch Complete	1	-	
	JH 5514 11	Assembly Clutch Complete	-	1	
	JH 5514 16	Clutch Assembly	-	1	1D - 4UP Model
2	JA 5514 14	Wheel Clutch	1	-	
	JB 5514 08	Wheel Clutch	-	1	
	PF 5514 28	Plate Pressure B104D	-	1	
3	JA 5514 19	Plate Clutch	4	-	
	30 1010 96	Plate Clutch	-	4	
	JH 5514 19	Plate Clutch	-	3	
4	36 JZ00 03	Primary Drive & Driven Gear	1	-	Refer Kit Details
	36 JZ00 23	Primary Drive & Driven Gear	-	1	Refer Kit Details
5	JH 5514 04	Hub Clutch	1	-	
	JH 5514 13	Hub Clutch	-	1	
	PF 5514 26	Hub Clutch B104D	-	1	
6	JH 5514 05	Spring Compression	4	-	
	JH 5514 10	Spring Compression	4	-	Model BS IV
	JZ 5514 15	Spring Clutch Disco	-	6	
	JH 5514 18	Spring Compression Clutch	-	4	1D - 4UP Model
7	39 1553 04	Bolt - Flange M6	4	-	
	39 0980 04	Flange Bolt	-	6	
	PF 5514 22	Bolt Flange Special	-	4	1D - 4UP Model
8	PF 5514 06	Holder Clutch	1	-	
	JB 5514 06	Clutch Holder	-	1	
	PF 5514 27	Clutch Lifter B104D	-	1	1D - 4UP Model
9	JD 5514 00	Spacer Clutch Assembly	1	1	
10	JA 5514 06	Collar Clutch	1	1	
11	39 2600 11	Washer	1	1	
12	39 0240 11	Washer Plain	1	-	
	JA 5514 20	Washer Plain	-	1	
	39 2200 11	Washer Primary Drive Gear	1	-	
13	JE 5514 09	Washer Belleville	-	1	
	DH 1016 48	Nut Clutch Center Lock	1	-	LH Thread
14	52 JA00 28	Nut Round	-	1	
	14 1510 33	Bearing 10 x 30 x 9 Clutch Lifter	1	-	
15	39 1001 20	Bearing Ball	-	1	
	36 JH00 04	Kit Friction Plate	1	-	Refer Kit Details
16	36 JH00 33	Kit Friction Plate-BSIV	1	-	Refer Kit Details
	36 JE00 24	Kit Friction Plate	-	1	Refer Kit Details
	36 JH00 57	Friction Plate	-	1	1D - 4UP Model
17	JH 5514 01	Assembly Clutch Plate	1	-	
	JH 5514 12	Assembly Clutch Plate	-	1	

Oil Pump Assembly



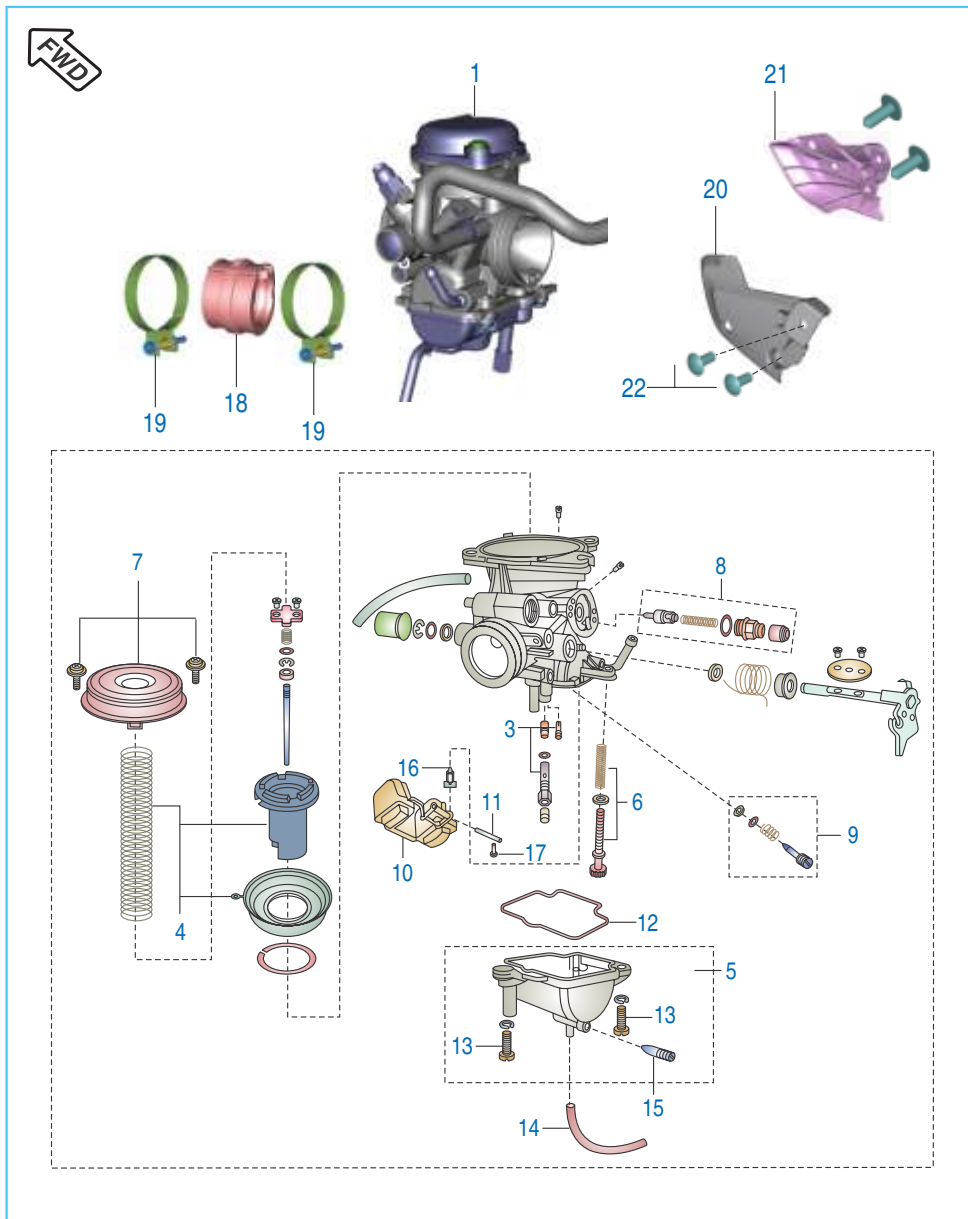
No.	Part No.	Description	Qty.		Remarks
			V15	V12	
1	JZ 5710 00	Assembly Oil Pump	1	1	
2	FD 1010 78	Screw Pan Cross	3	3	
3	JA 5410 16	Gasket Case Oil Pump	1	1	
4	39 0999 06	Pin Dowel	2	2	
5	JZ 5710 01	Gear Oil Pump Driven	1	1	

Carburettor Assembly - V15



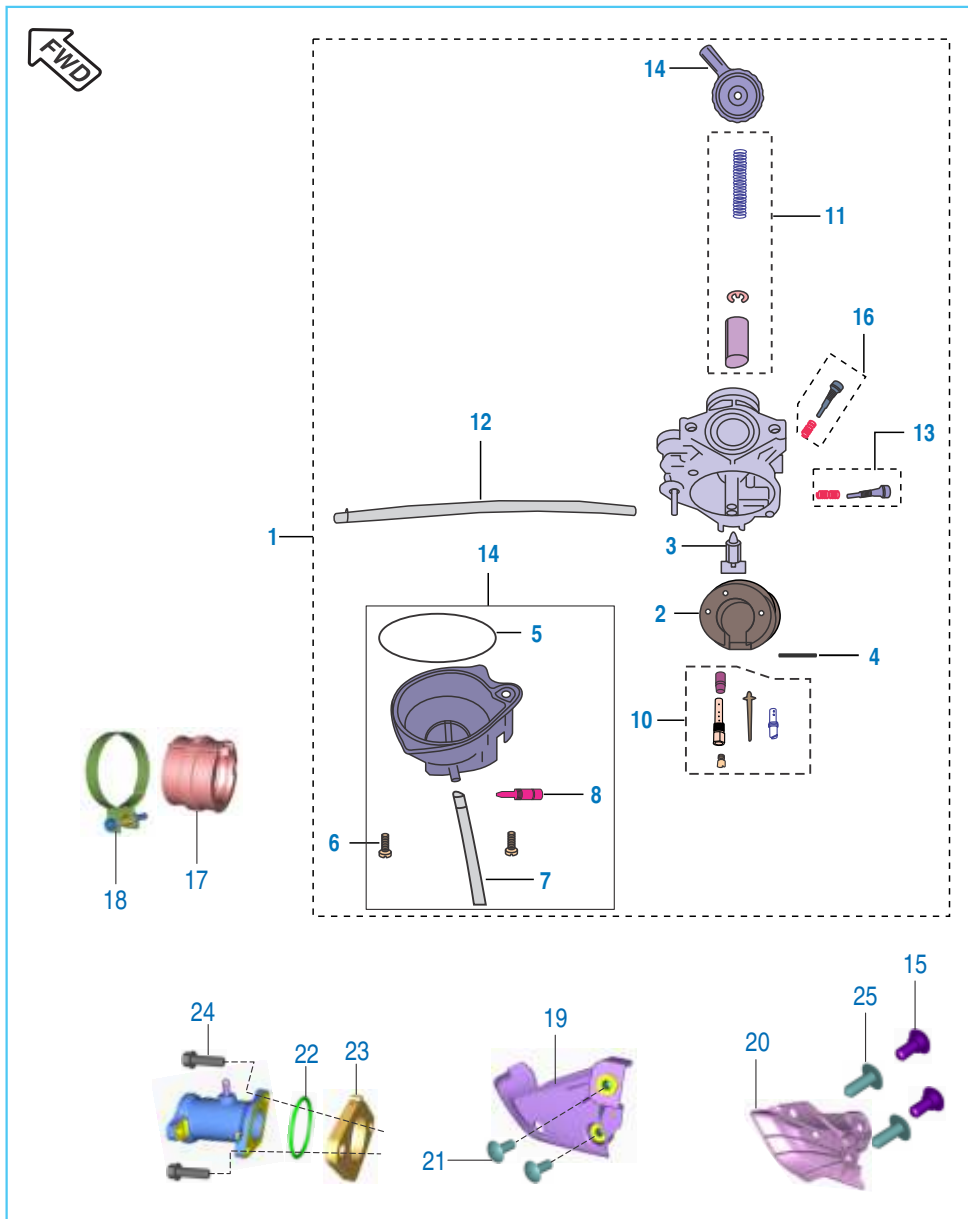
No.	Part No.	Description	Qty.		Remarks
			V15	V12	
1	JH 5812 00	Assembly Carburator	1	--	
	JH 5812 06	Assembly Carburetor EVAP	1	--	Model BS IV
2	36 JH00 12	Kit Carb "O" Rings & Gasket	1	--	
3	36 JH00 13	Kit Carb Jets	1	--	Model BS IV
4	36 JH00 14	Kit Carb Throttle Valve	1	--	Model BS IV
5	36 JH00 15	Kit Carb Float Chamber Body	1	--	
6	36 JF00 24	Kit Carb Idling Screw	1	--	
7	36 JH00 17	Kit Carb Top Cap	1	--	
8	36 JH00 18	Kit Carb Plunger Assly	1	--	
9	36 JF00 22	Kit Carb Vacuum Adjuster	1	--	
10	DH 1210 59	Float Assly.	1	--	
11	DH 1210 63	Float Pin	1	--	
12	DP 1210 59	"O" Ring	1	--	
13	DH 1211 76	Screw	2	--	
14	JE 5812 23	Hose Drain	1	--	
15	JE 5812 18	Drain Screw	1	--	
16	DH 1210 93	Needle Assembly	1	--	
17	DH 1210 64	Screw Needle Shaft	1	--	
18	JH 5812 01	Sleeve Carburetor C101	1	--	
19	JH 5812 02	Clamp	2	--	
20	JH 1812 31	Cover Carburetor LH	1	--	
21	JH 1812 80	Cover Carburetor RH	1	--	
22	LB U000 46	Screw Truss	4	--	

Carburettor Assembly - V15 UG

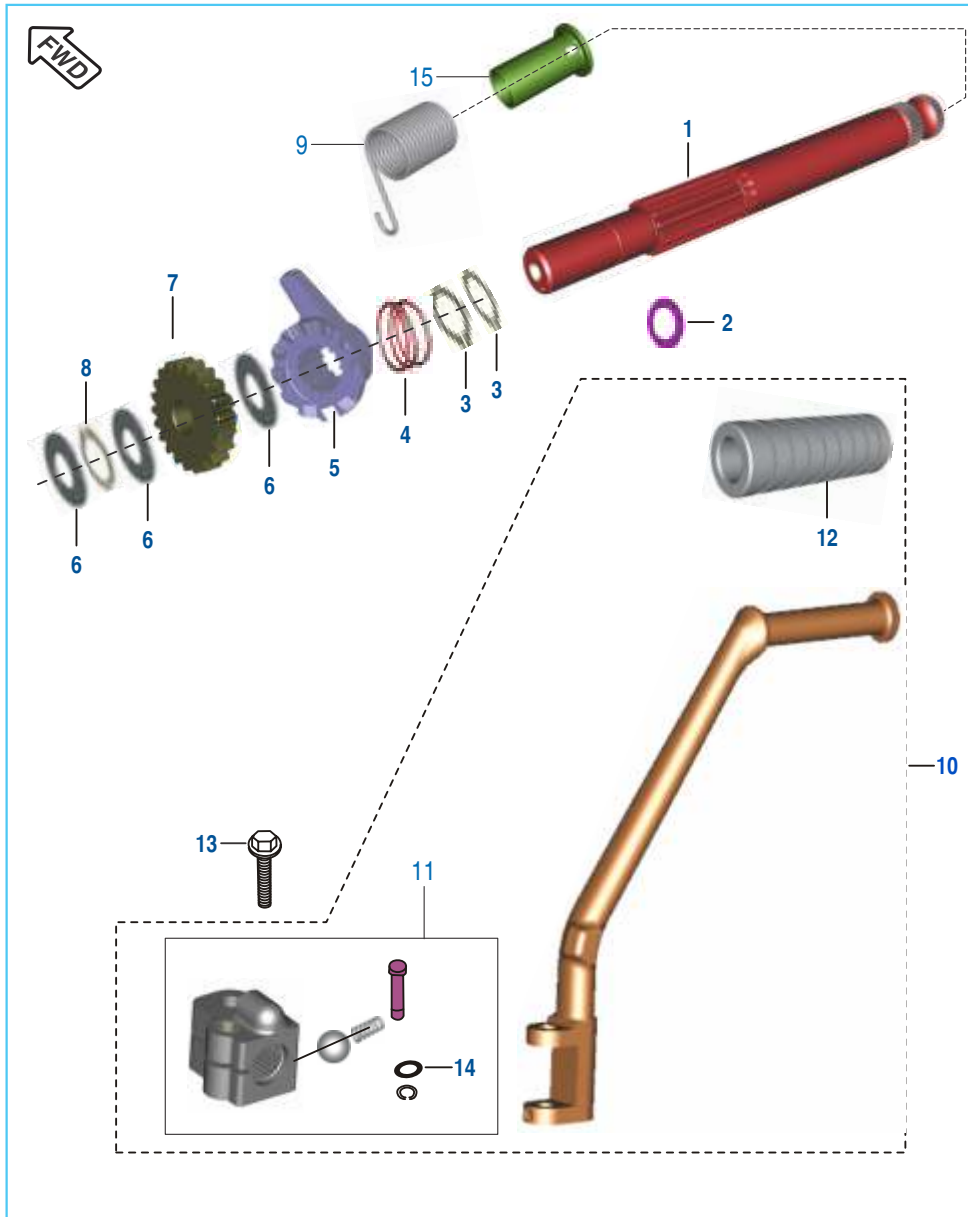


No.	Part No.	Description	Qty.		Remarks
			V15	V12	
1	JH 5812 33	Assembly Carburetor EVAP	1	--	
2	36 JH00 12	Kit Carb "O" Rings & Gasket	1	--	
3	36 JH00 75	Kit Carb Jets	1	--	
4	36 JH00 72	Kit Carb Throttle Valve	1	--	
5	36 JH00 15	Kit Carb Float Chamber Body	1	--	
6	36 JH00 73	Kit Carb Idling Screw	1	--	
7	36 JH00 76	Kit Carb Top Cap	1	--	
8	36 JH00 77	Kit Carb Plunger Assly	1	--	
9	36 JH00 74	Kit Carb Vacuum Adjuster	1	--	
10	DH 1210 59	Float Assly.	1	--	
11	DH 1210 63	Float Pin	1	--	
12	DP 1210 59	"O" Ring	1	--	
13	DH 1211 76	Screw	2	--	
14	JE 5812 23	Hose Drain	1	--	
15	JE 5812 18	Drain Screw	1	--	
16	DH 1210 93	Needle Assembly	1	--	
17	DH 1210 64	Screw Needle Shaft	1	--	
18	JH 5812 32	Sleeve Manifold	1	--	
19	JH 5812 02	Clamp	2	--	
20	JH 1812 31	Cover Carburetor LH	1	--	
21	JH 1812 80	Cover Carburetor RH	1	--	
22	LB U000 46	Screw Truss	4	--	

Carburettor Assembly - V12



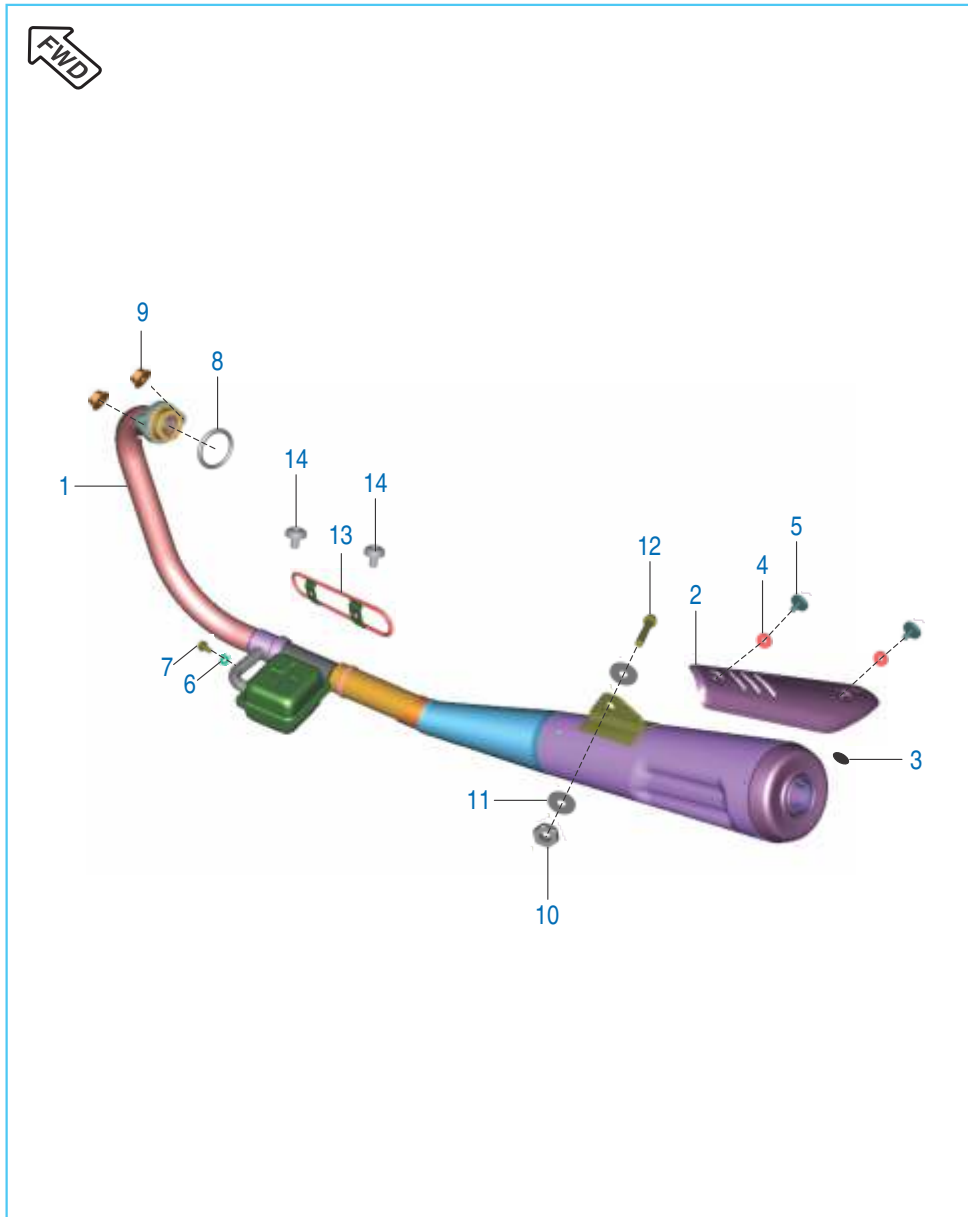
No.	Part No.	Description	Qty.		Remarks
			V15	V12	
1	JH 5812 07	Assembly Carburetor	-	1	
2	JB 5812 30	Float Assly.	-	1	
3	JB 5812 29	Float Valve	-	1	
4	JB 5812 56	Pin Float Arm	-	1	
5	P No. Req'd	Float Chamber "O" Ring	-	1	
6	PA 5812 21	Screw Float Chamber	-	1	
7	P No. Req'd	Hose Drain	-	1	
8	JB 5812 60	Drain Screw	-	1	
9	36 JH00 12	Kit Carb "O" Rings & Gasket	-	1	Includes all O-Rings & Gasket
10	36 JH00 39	Kit Carb Jets	-	1	
11	36 JH00 43	Kit Carb Throttle Valve	-	1	
12	36 JH00 44	Kit Carb Float Chamber Body	-	1	
13	36 JH00 45	Kit Carb Idling Screw	-	1	
14	36 JH00 42	Kit Carb Top Comp	-	1	
15	JL 1812 88	Screw Stepped	-	2	
16	36 JH00 40	Kit Carb Air Screw	-	1	
17	JH 5812 01	Sleeve Carburetor C101	-	1	
18	JH 5812 02	Clamp	-	1	
19	JH 1812 65	Assembly Carburetor Cover LH	-	1	
20	JH 1812 80	Cover Carburetor RH	-	1	
21	LB U000 46	Screw Truss	-	2	
22	LJ A000 11	O Ring	-	1	
23	PA 5812 05	Insulator	-	1	
24	JA 5814 06	Bolt Flange	-	2	
25	LB U000 33	Screw Truss	-	2	



Kick Starter Mechanism

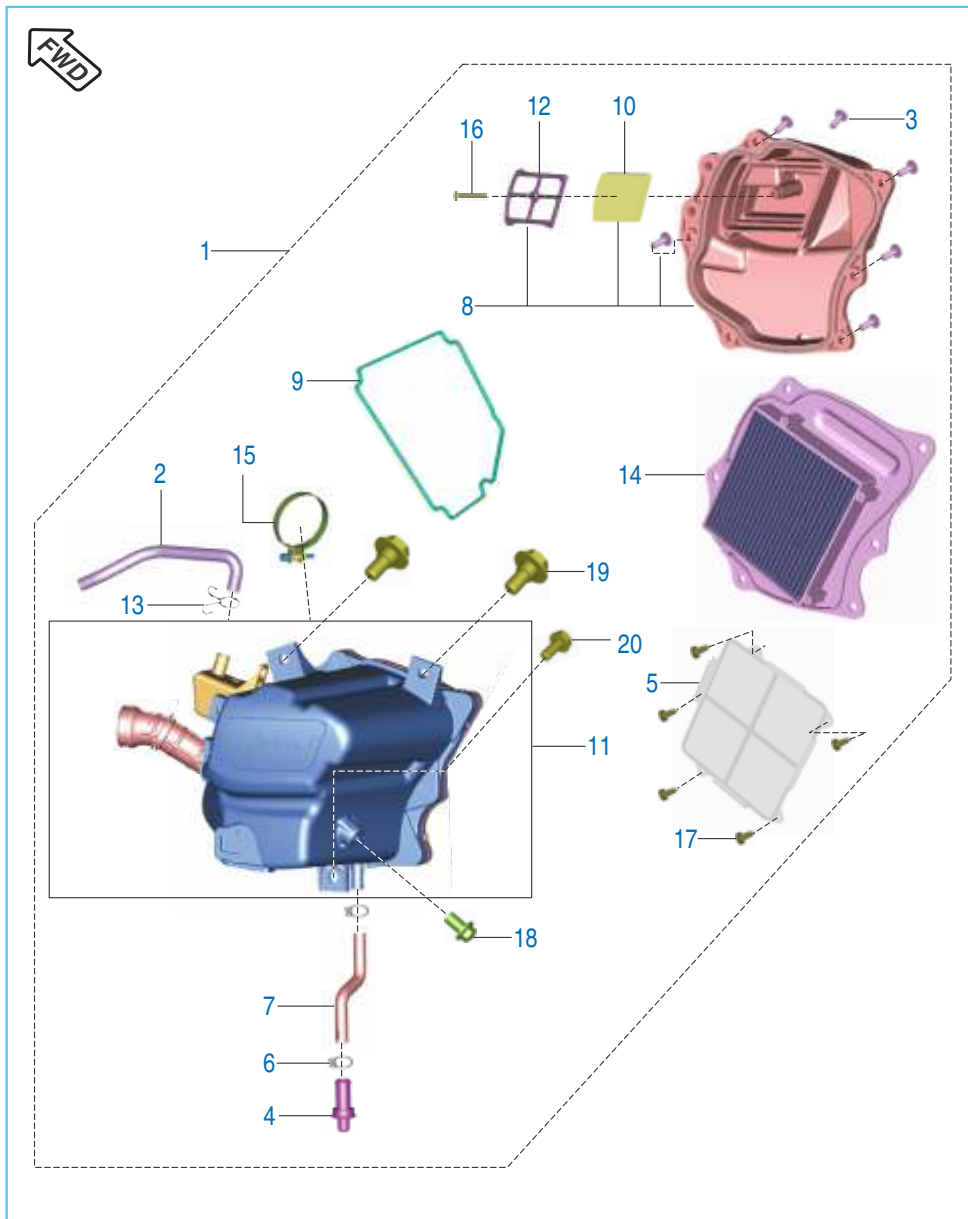
No.	Part No.	Description	Qty.		Remarks
			V15	V12	
1	PA 6210 07	Kick Shaft	1	1	
2	JA 6210 06	Washer Thrust	1	1	
3	39 0738 17	Circlip	2	1	
4	DS 1011 17	Spring Kick Starter Ratchet	1	1	
5	JA 6210 02	Ratchet	1	1	
6	39 0993 11	Washer Plain	3	3	
	JA 6210 06	Washer Thrust (16.2 x 25 x 0.5)	-	1	1D - 4UP Model
7	PA 6210 08	Gear Kick Pinion	1	1	
8	39 2408 17	External Circlip	1	1	
9	JE 6210 03	Spring Kick Return	1	1	
10	PA 6212 03	Assembly Kick Lever	1	1	
11	36 JH00 09	Kit Boss Kick Lever	1	1	Refer Kit Details
12	DD 1010 97	Damper	1	1	
13	JA 6212 06	Bolt Flange	1	1	
14	22 1502 41	Plain Washer	1	1	
15	JE 6210 04	Sleeve	1	1	

Silencer Assembly



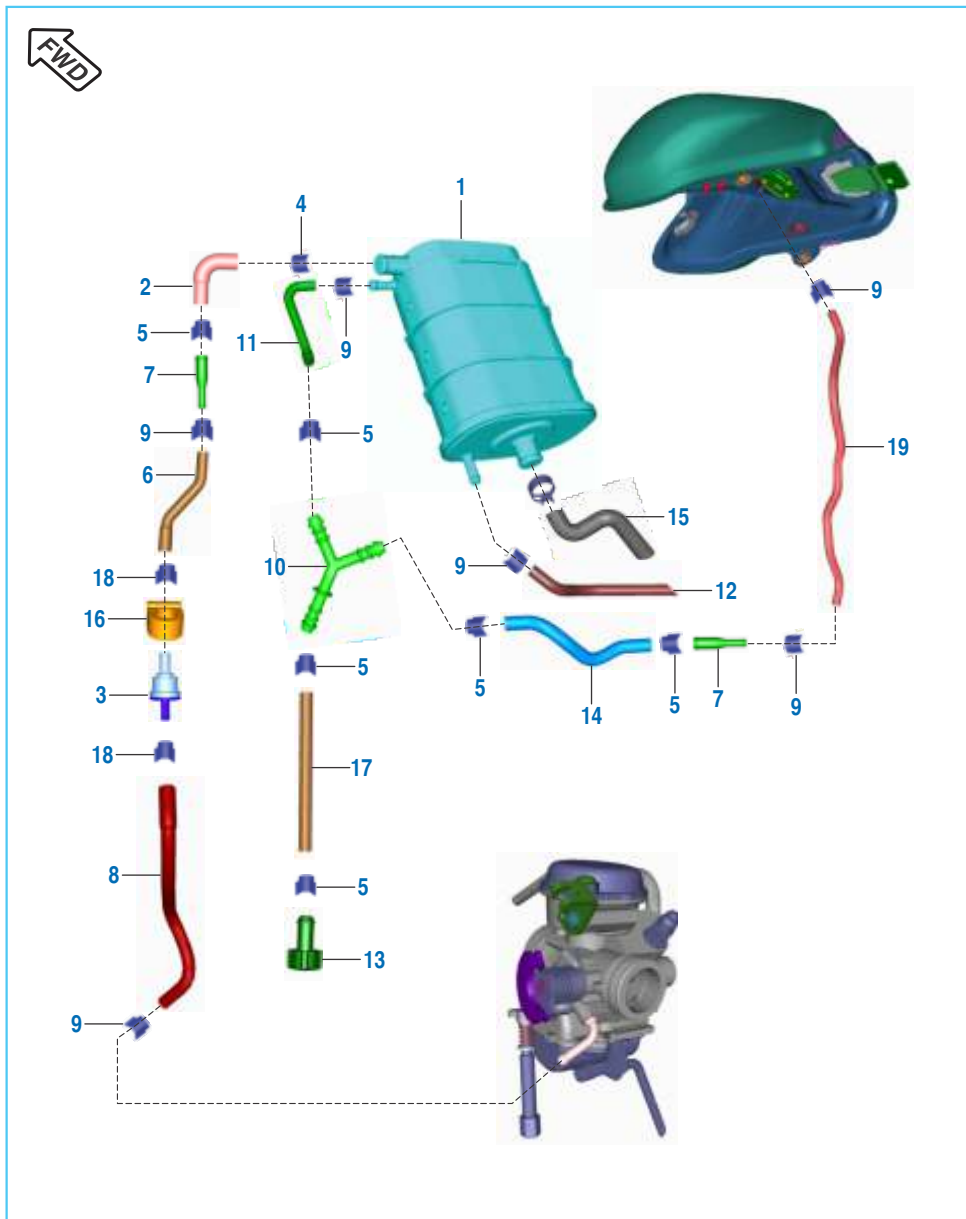
No.	Part No.	Description	Qty.		Remarks
			V15	V12	
1	YJ H010 10	Silencer without Shields	1	-	
	YJ H050 03	Silencer without Shields	-	1	
2	JH 5910 34	Shield Muffler	1	1	
3	JW 5910 30	Grommet Shield	1	-	
	JB 5910 59	Damper Shield Muffler Disco - M	-	1	
4	JB 5910 68	Washer Nylon Shield Silencer	2	2	
5	JW 5910 28	Truss Screw M5 x 0.8	2	2	
6	39 2492 11	Plain Washer	1	1	
7	DK 1016 10	Bolt (M5)	1	1	
8	DJ 1010 64	Gasket Exhaust	1	1	
9	39 2295 15	Nut Flanged - Ex. Tube Cyl Head	2	2	
10	DD 1610 71	'U' Nut M10 x 1.25	1	1	
11	39 2425 11	Plain Washer	2	2	
12	KA DD10 55	Bolt	1	1	
13	JH 5911 11	Wire Shield	1	1	
14	JL 5911 49	Truss Screw (Head Black)	2	2	

Air Cleaner Assembly



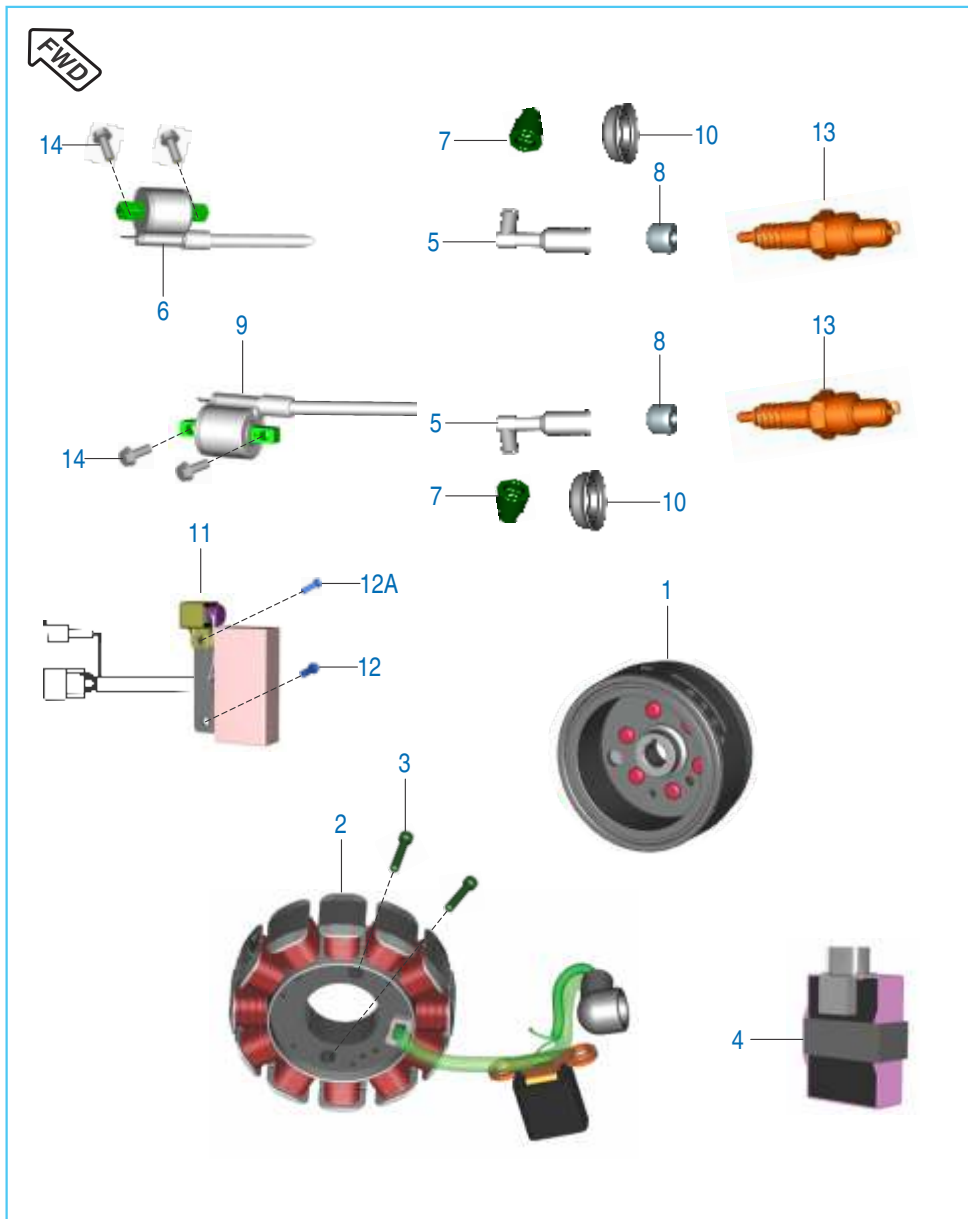
No.	Part No.	Description	Qty.		Remarks
			V15	V12	
1	JH 5810 00	Air Filter Assly.	1	-	
	JH 5810 18	Assembly Air Filter	-	1	
2	JH 5810 07	Tube Breather	1	-	
	JH 5810 30	Tube Breather	-	1	
3	PA 5810 53	Top Cover Mounting Screw M6 x 18	6	6	
4	DS 1211 26	Plug	1	1	
5	JH 5810 11	Arrester Flame	1	1	
6	DP 1210 25	Clamp	2	2	
7	JH 5810 15	Tube Drain	1	1	
8	JH 5810 12	Assembly Cover Air Filter	1	1	
9	PF 5810 49	Ring Seal Air Filter	2	2	
10	JH 5826 02	Foam Element SAI	1	1	
11	JH 5810 08	Case Air Filter & Connecting Tube	1	-	
	JH 5810 29	Assembly Case Air Filter	-	1	
12	JH 5826 01	Plate Supporting SAI	1	1	
13	DG 1210 40	Clamp	1	1	
14	36 JH00 81	Kit air filter element & cover 'O' ring	1	1	
	JG 5814 42	Clamp Intake Pipe	1	-	
15	DH 1021 18	Clamp Insulator IM	-	1	
	KB RA42 32	Screw Tapping Pan Cross	1	1	
17	KB RA35 10	Screw Tapping Pan Cross	2	2	
18	DJ 1013 05	Bolt Flange	-	1	
19	DP 1610 94	Bolt Stepped - M6	2	2	
20	KA DD06 14	Bolt Flanged	1	1	

EVAP Mechanism

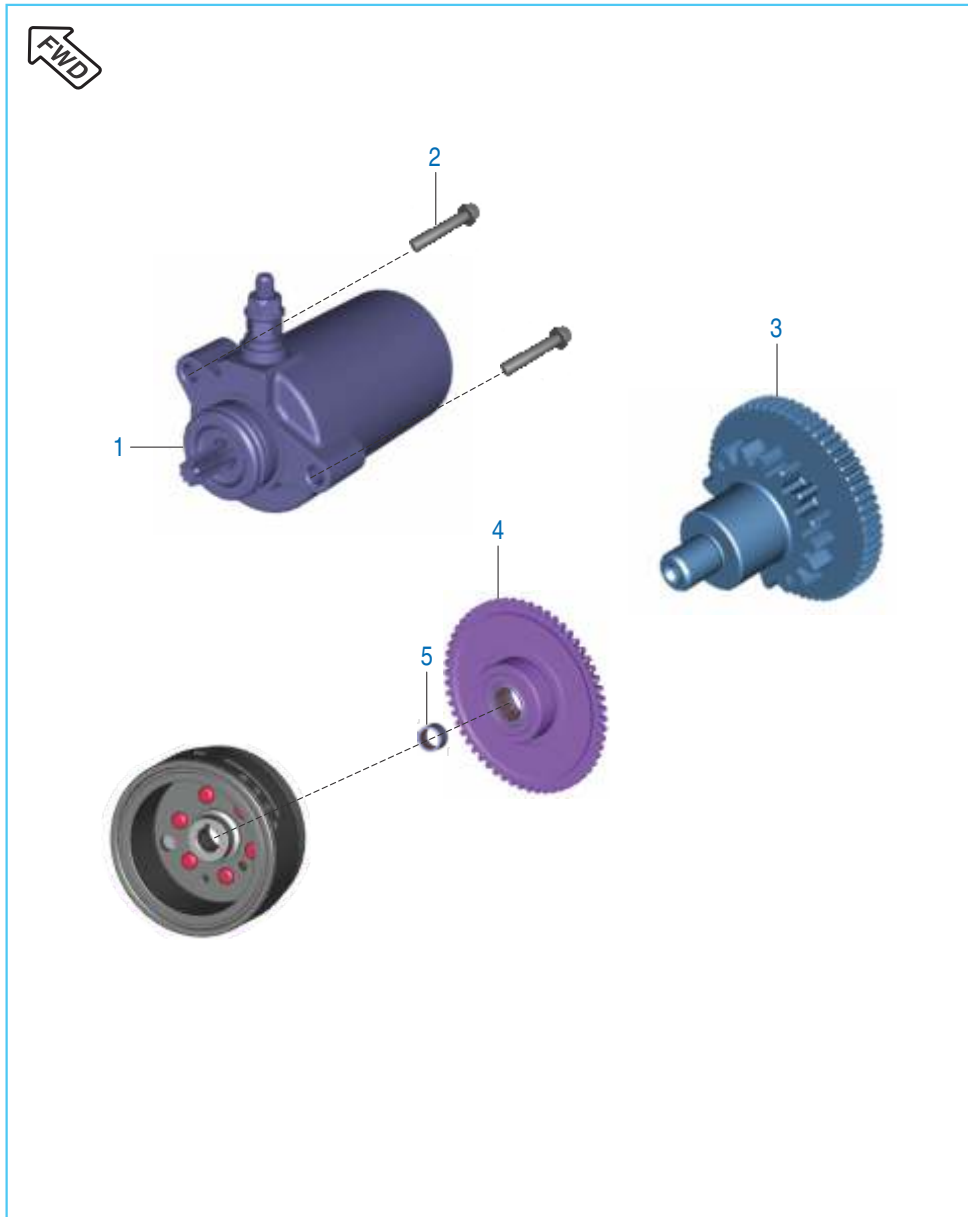


No.	Part No.	Description	Qty.		Remarks
			V15	V12	
1	JY 1710 77	Canister	1	1	
2	DJ 1410 70	Tube Canister To Connector	1	-	
	JH 1710 20	Tube Connector To Canister	-	1	
3	PD 1716 16	Valve Purge	1	1	
4	JY 1710 69	Spring Band Clamp 15 x 10	1	1	
5	JY 1710 90	Spring Band Clamp 13 x 12	6	1	
6	JH 1710 21	Tube Connector to Purge Valve	1	1	
7	JG 1710 86	Connector Tube EVAP	2	1	
8	JH 1710 22	Tube Purge Valve To Carburetor	1	-	
	JH 1710 72	Tube Purge Port To Carburetor	-	1	
9	JY 1710 70	Spring Band Clamp 9 x 8.4	6	6	
10	JY 1138 42	Connector Y Shape	1	1	
11	JH 1710 20	Tube Y Connector To Canister	1	1	
12	JH 1716 01	Tube Canister Drain	1	1	
13	JY 1718 25	Plug Fuel Drain	1	1	
14	JH 1710 23	Tube Inline connector To Y Connector	1	1	
15	JH 1710 24	Tube Canister Breather	1	1	
	JH 1710 90	Tube breather canister connector	1	--	V15 UG
16	JH 1710 48	Grommet Purge Valve	1	1	
17	JH 1710 19	Tube Drain	1	1	
18	JG 1710 29	Spring Band Clip 10 MM	2	1	
19	JH 1710 18	Tube Tank To Inline Connector	1	1	
20	JH 1716 02	Clamp Canister Breather	1	1	

Magneto, CDI, Spark Plug & H.T. Coil

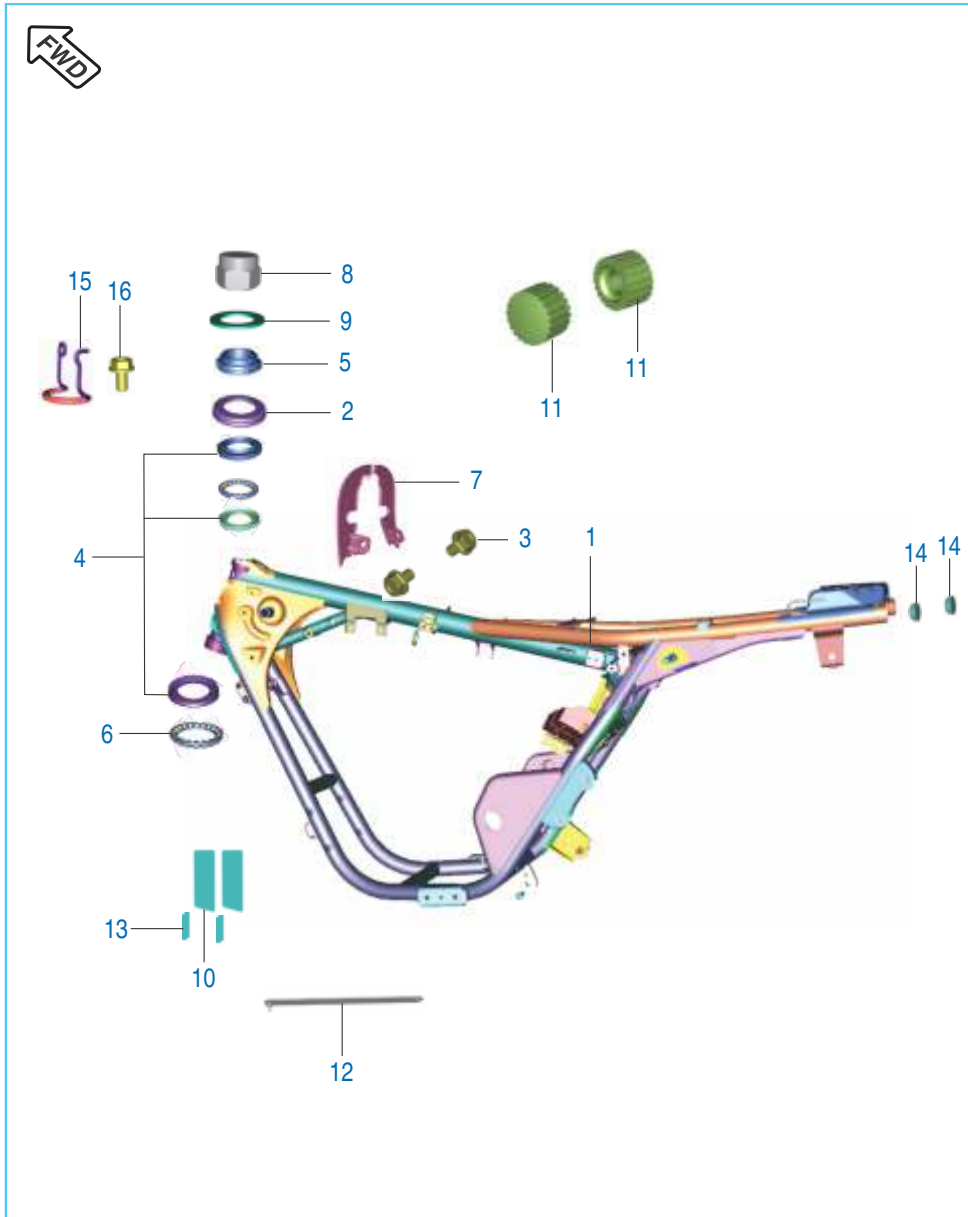


No.	Part No.	Description	Qty.		Remarks
			V15	V12	
1	PA 3510 25	Assly Rotor With One Way Clutch	1	1	
2	JH 3510 05	Assembly Stator	1	-	
	JH 3510 07	Assembly Stator	-	1	
3	LA C000 52	Bolt Socket - M6x1xL 28 (TL 24)	2	2	
4	JH 3512 00	CDI Assembly	1	-	
	JH 3512 07	CDI Assembly	-	1	
	JH 3512 19	CDI Assembly	1	-	V15 UG
5	DH 1110 15	Cap Spark Plug	1	1	
6	JH 3512 03	H. T. Coil 1 With Cable	1	1	
7	DD 1110 12	Grommet H.T. Cable	2	2	
8	DH 1110 13	Grommet Spark Plug	2	2	
9	JH 3512 05	H.T. Coil 2 With Cable	1	1	
10	JD 3512 06	Grommet Sleeve Spark Plug Cap	2	1	
11	JZ 4020 00	DC Regulator With Capacitor	1	1	
12	KA ED06 14	Bolt Flanged Small	2	1	
12A	KA ED06 20	Bolt Flanged Small	-	1	
13	DD 1110 18	Spark Plug	2	2	
	CF 1110 19	Spark Plug Bosch UR4AC	2	2	
14	59 0400 14	Bolt Flanged M6 x 1	-	4	



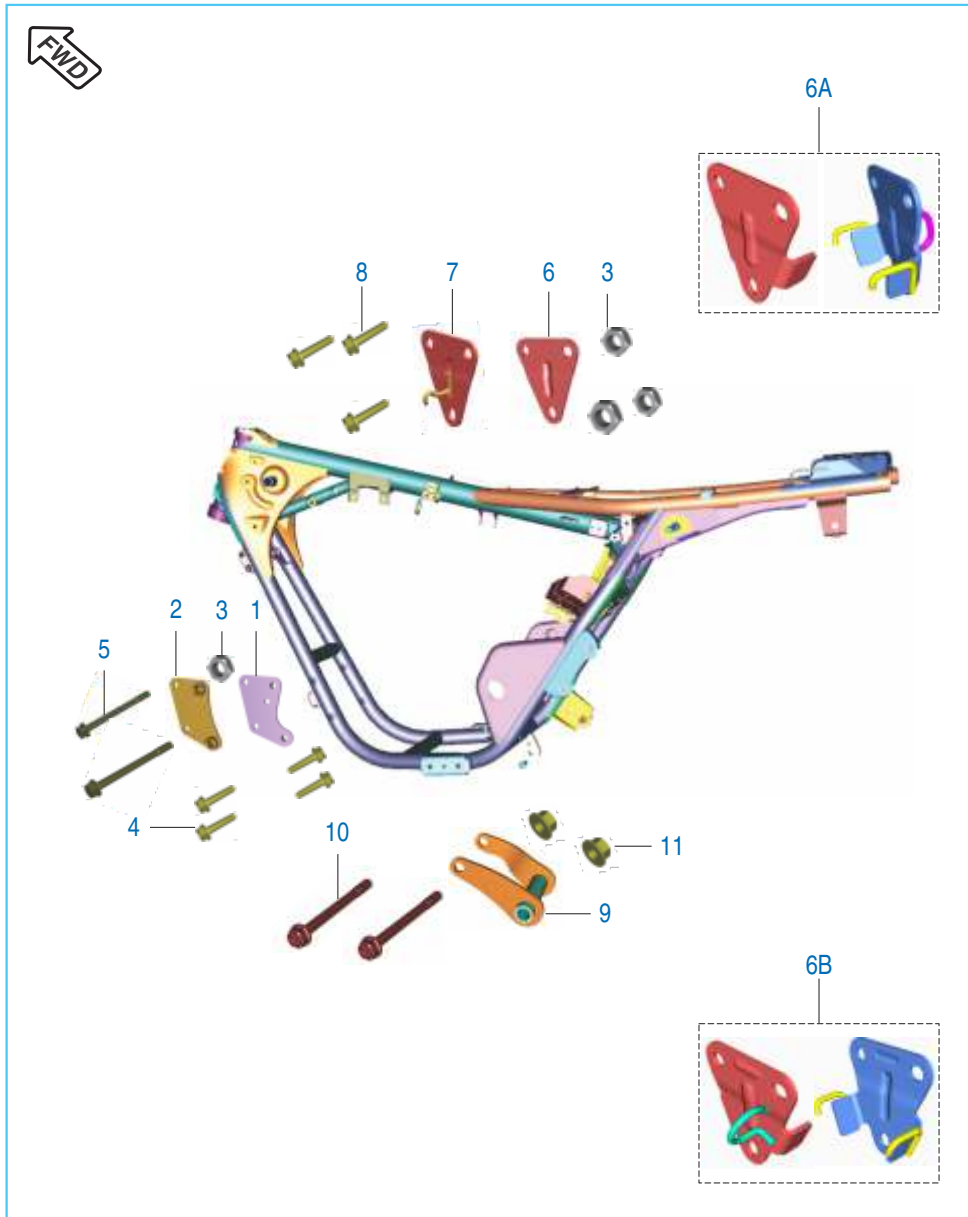
Starter Motor & Starter Gear

No.	Part No.	Description	Qty.		Remarks
			V15	V12	
1	JH 3516 00	Assembly Starter Motor	1	--	
	JH 3516 01	Assembly Starter Motor	1	1	With 3 resting pad
	JH 3516 03	Starter motor	1	-	Ser. Bull. 2018-03
2	39 1674 04	Bolt M6 X 25 Silver Colour	2	2	
3	PF 6214 00	Starter Drive Assembly	1	1	
	JH 6214 07	Gear drive starter clutch	1	--	Ser. Bull. 2018-03
4	JH 6214 01	Assembly Starter Gear With Bearing	1	1	
	JH 6214 03	Gear Starter Clutch Assembly	-	1	1D - 4UP Model
5	JE 6214 03	Needle Roller Bearing (20 x 26 x 16)	1	1	
6	GL 6214 14	One Way Clutch	1	1	



Frame & Frame Fittings

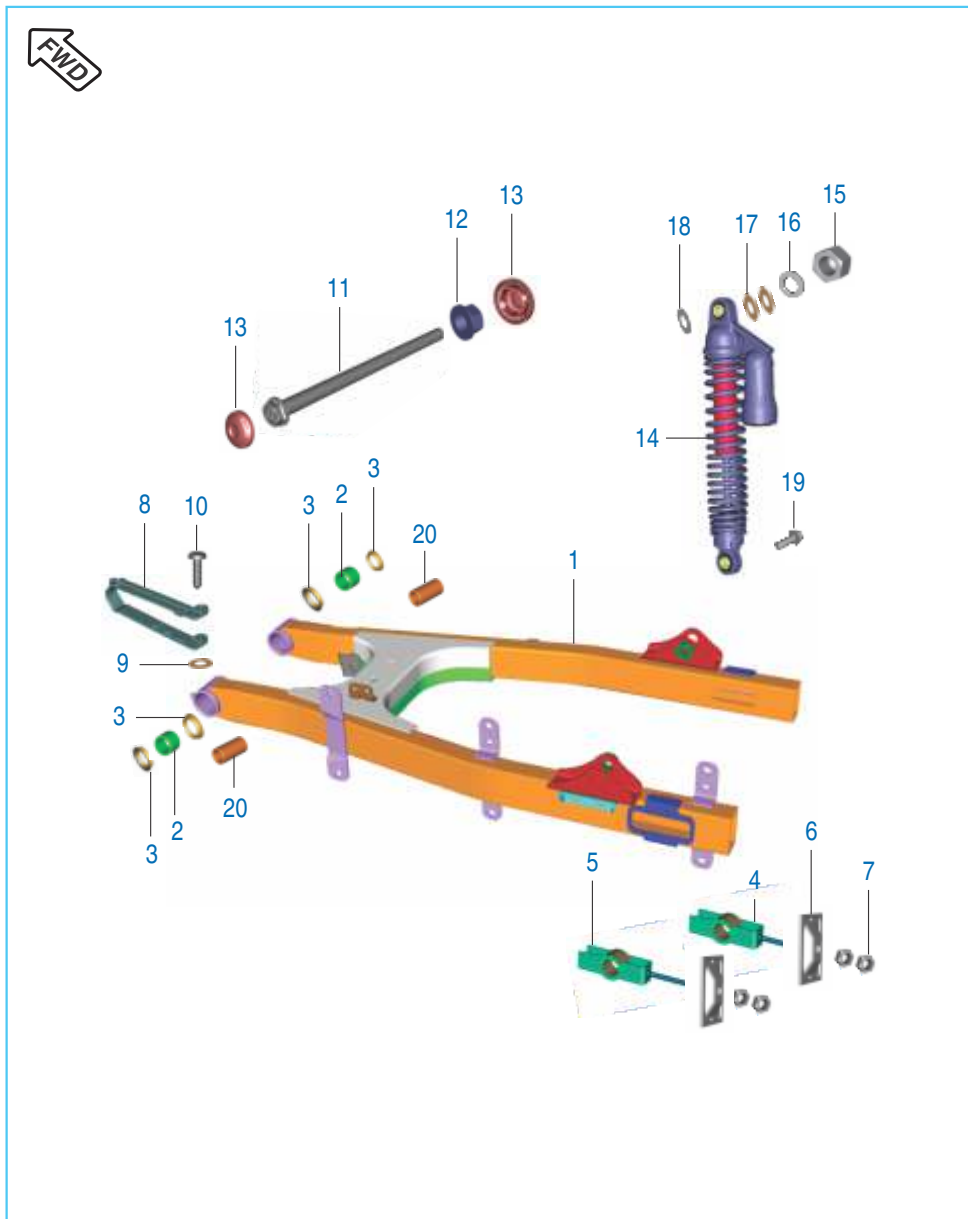
No.	Part No.	Description	Qty.		Remarks
			V15	V12	
1	JH 1110 00	Frame Assly Without Bearing Race	1	1	
2	JH 1510 18	Cap Steering Stem	1	1	
3	KA DF06 10	Bolt	2	2	
4	36 PA01 44	Steering Cone Kit	1	1	Refer Kit Details
5	JZ 1510 84	Nut	1	1	
6	DJ 1811 15	Cage with Ball Steel	2	2	
7	JH 1710 14	Cover Fuel Tank Front	1	1	
8	DS 1810 15	Nut Cap Fork	1	1	
9	DS 1810 16	Washer	1	1	
10	JH 1138 10	Tape Frame	3	3	
11	JH 1710 16	Damper Tank Mounting Front	2	2	
12	JH 1138 05	Strap For Harness	1	1	
13	JZ 1112 92	Tape Frame Head Pipe	3	3	
14	JH 1138 13	Cap For Pipe Rear	2	2	
15	JH 1110 18	Hook Clutch Cable	-	1	
16	KA DD06 12	Bolt Flanged	-	1	



Engine Mountings

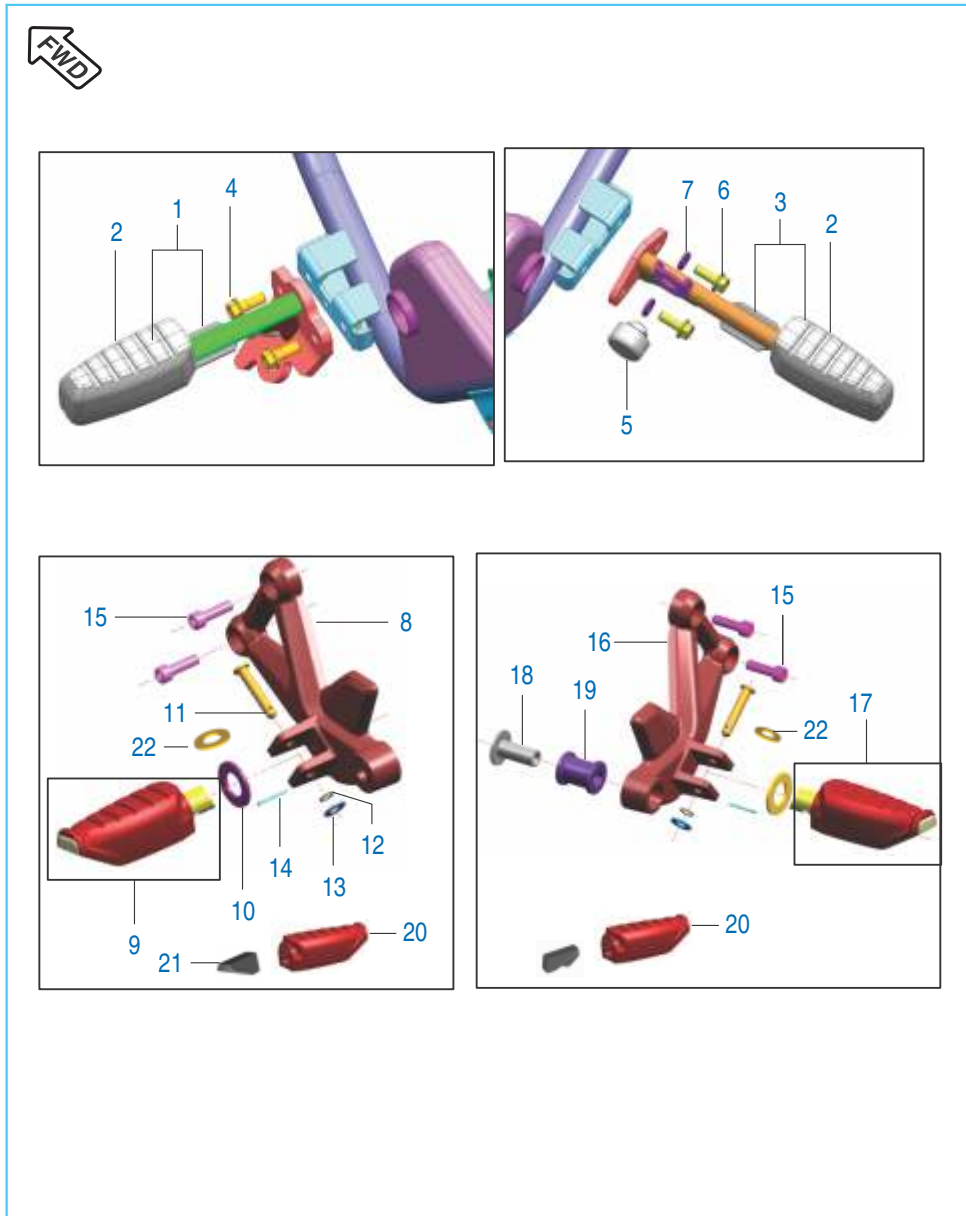
No.	Part No.	Description	Qty.		Remarks
			V15	V12	
1	JH 1134 01	Bracket Engine Mounting Front RH	1	1	
2	JH 1134 00	Bracket Engine Mounting Front LH	1	1	
3	39 1970 15	Nut	5	5	
4	KA DD08 65	Bolt Flanged	4	4	
5	KA DD08 A0	Bolt	2	2	
6	JH 1134 02	Bracket Engine Mounting Top	1	-	
6A	JH 1134 15	Assly. Bracket Engine Mounting Top	1	-	Model BS IV
6B	JH 1134 16	Assembly Engine Mounting Top	-	1	
7	JH 1134 10	Bkt. Engine Mounting Top With Hook	1	-	
8	KA DF08 50	Bolt Flanged	3	3	
9	JH 1134 03	Bracket Engine Mounting Rear	1	1	
10	KA DD10 B5	Bolt Flanged	2	2	
11	39 1225 15	Nut	2	2	

Swing Arm & Rear Shock Absorber

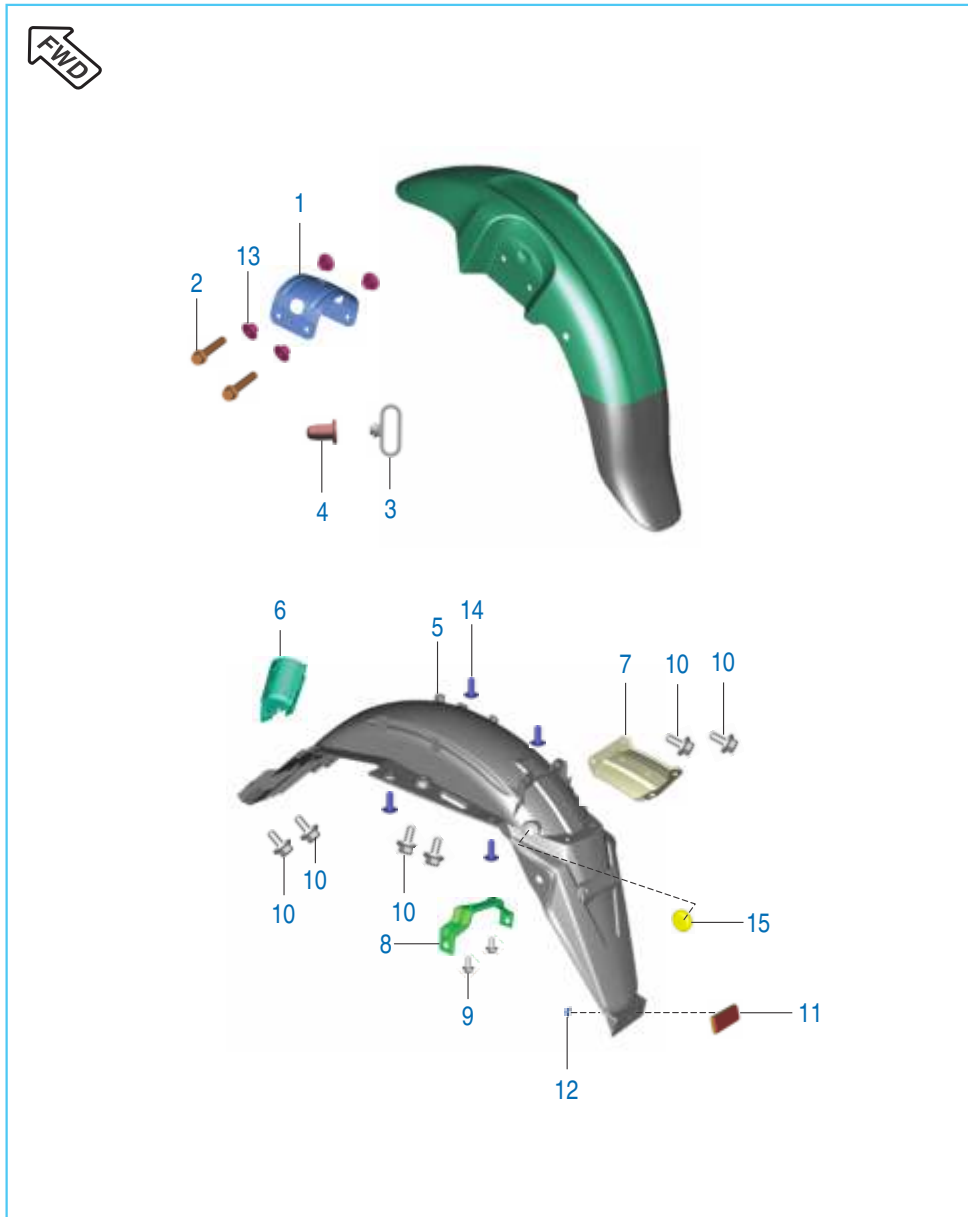


No.	Part No.	Description	Qty.		Remarks
			V15	V12	
1	JH 1220 11	Swing Arm Assly	1	1	
2	JH 1220 13	Bearing Needle	2	2	
3	JH 1220 09	Dust Seal	4	4	
4	DJ 1510 36	Chain Adjuster LH	1	1	
5	DJ 1510 37	Chain Adjuster RH	1	1	
6	DJ 1510 47	Plate Chain Adjuster	2	2	
7	39 0292 15	Hex Nut	4	4	
8	JH 1220 14	Chain Slider	1	1	
9	39 0454 11	Plain Washer	2	2	
10	39 0553 02	Self Tapping Screw	2	2	
11	JH 1220 04	Shaft Swing Arm	1	1	
12	39 1053 15	Nut	1	1	
13	JH 1138 00	Cap Swing Arm Shaft	2	2	
14	JH 1220 03	Rear Shock Absorber	2	-	
	JH 1220 15	Shockabsorber Rear	-	2	
15	39 2366 15	Nut	2	2	
16	39 2726 12	Washer Spring	2	2	
17	JB 1220 10	Plain Washer	4	4	
18	39 0714 11	Washer Plain	2	2	
19	JB 1220 16	Flange Bolt	2	2	
20	JH 1220 12	Sleeve	2	2	

Main Step and Pillion Step Assembly



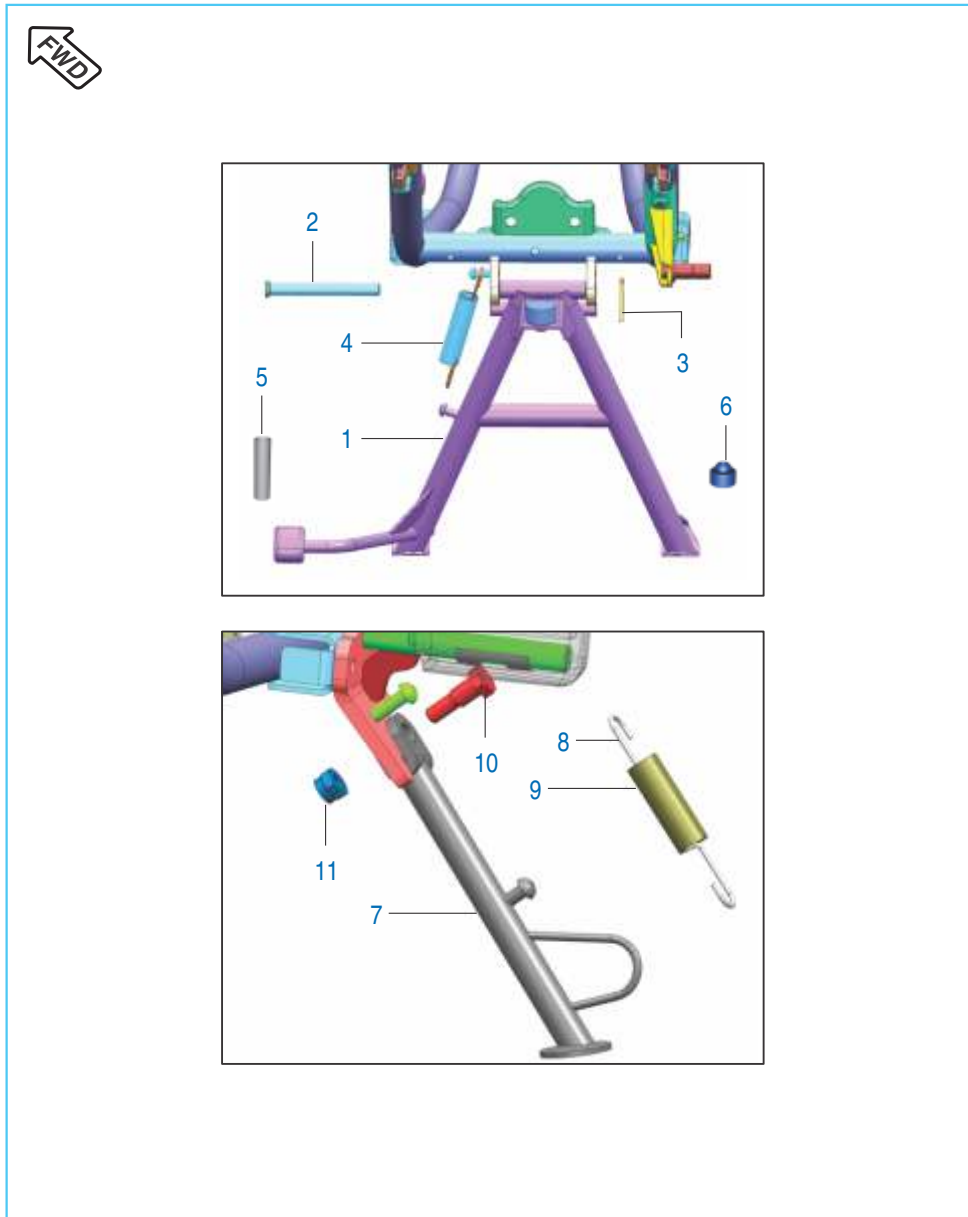
No.	Part No.	Description	Qty.		Remarks
			V15	V12	
1	52 JH00 18	Assembly Stay Main Step LH	1	1	
2	JH 1130 06	Rubber Main Step	2	2	
3	52 JH00 19	Assembly Stay Main Step RH	1	1	
4	LA D001 26	Bolt Flanged	2	2	
5	JH 1132 03	Damper Kick Stopper	1	1	
6	KA DD08 20	Bolt Flanged	2	2	
7	KD CB08 16	Washer Spring	2	2	
8	JH 1130 04	Pillion Step Holder LH	1	-	
	JH 1130 19	Holder Pillion Step LH	-	1	
9	JH 1130 09	Assembly Pillion Step LH	1	-	
	JH 1130 22	Assembly Pillion Step LH	-	1	
10	DH 1611 00	Washer Nylon	2	2	
11	DH 1610 61	Pin Pillion Step	2	-	
	DD 1613 81	Pin Pillion Step	-	2	
12	30 1410 31	O-Ring	2	2	
13	KD BA08 18	Washer	2	2	
14	KH AA25 20	Pin Cotter	2	2	
15	LA C000 23	Bolt Socket Head	4	-	
	LA C001 21	Bolt Socket - M8x1.25xL35xPrecoat	-	4	
16	JH 1130 05	Pillion Step Holder RH	1	-	
	JH 1130 20	Holder Pillion Step RH	-	1	
17	JH 1130 11	Assembly Pillion Step RH	1	-	
	JH 1130 23	Assembly Pillion Step RH	-	1	
18	DJ 1612 78	Tube Silencer With Washer	1	1	
19	JZ 1130 42	Damper	1	1	
20	JH 1130 10	Damper Pillion Step	2	-	
	JH 1130 21	Rubber Pillion Step	-	2	
21	PA 1130 61	Damper	2	2	
22	JH 1130 12	Washer Nyloc	2	2	



Mudguard - Front & Rear

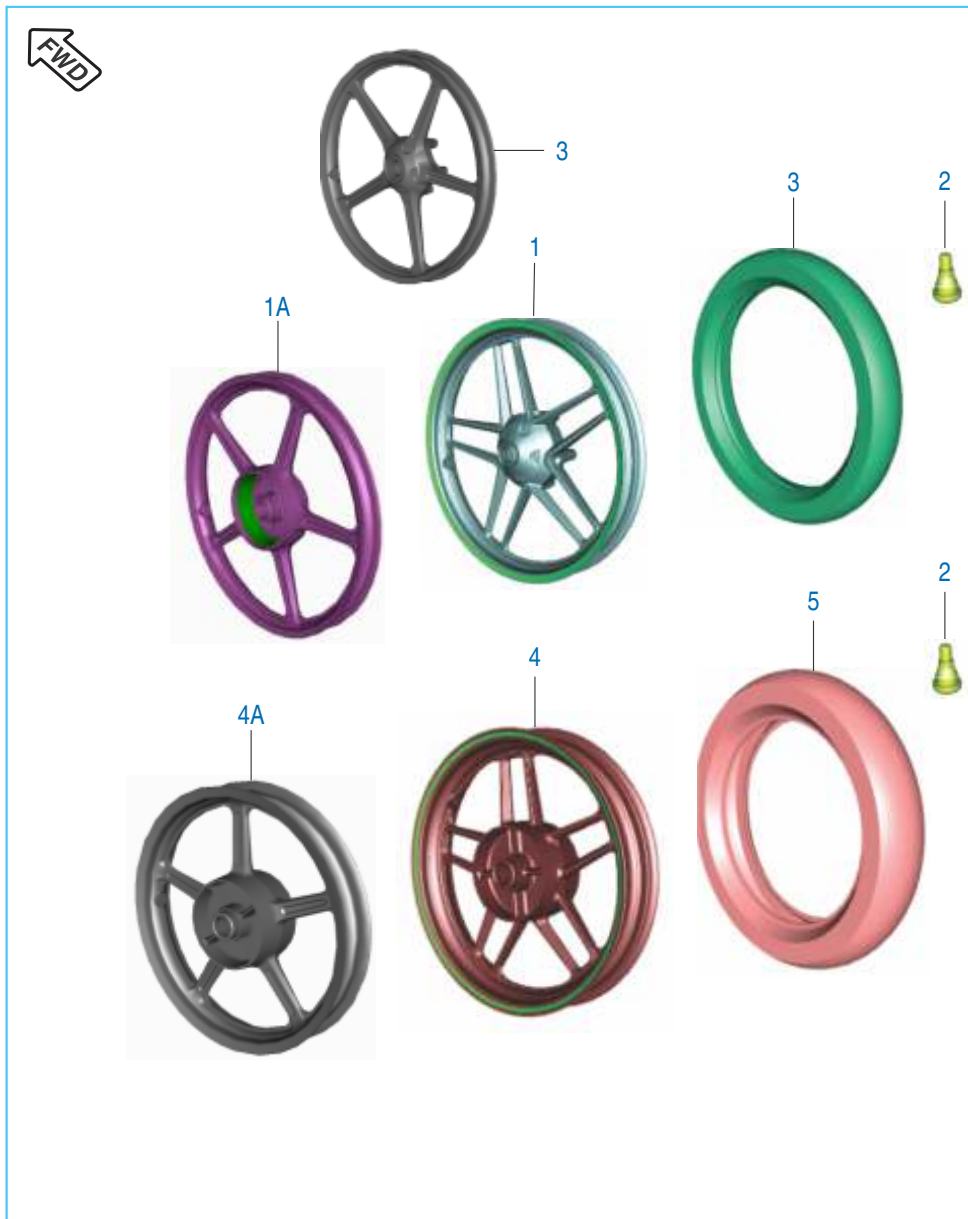
No.	Part No.	Description	Qty.		Remarks
			V15	V12	
1	JH 1814 08	Brace Fender	1	1	
2	39 1075 04	Bolt Flanged	4	4	
3	DS 1611 25	Cable Guide	1	1	
4	DJ 1610 69	Nail Cable Guide	1	1	
5	JH 1814 03	Fender Rear	1	1	
6	JH 1814 05	Cap Tool Kit	1	1	
7	JH 1814 04	Reinforcement Bracket	1	1	
8	JH 1814 11	Reinforcement Blinker Bracket	1	1	
9	DJ 1013 05	Bolt	2	2	
10	LA E000 22	Flanged Bolt	6	6	
11	DD 2010 02	Reflex Reflector	1	1	
12	LC A000 08	Nut	1	1	
13	PA 1112 50	Collar Special	-	4	
14	LB U000 43	Screw Truss	-	4	
15	DJ 2011 73	Grommet For Cables Rear Fender	--	2	

Center & Side Stand Assembly



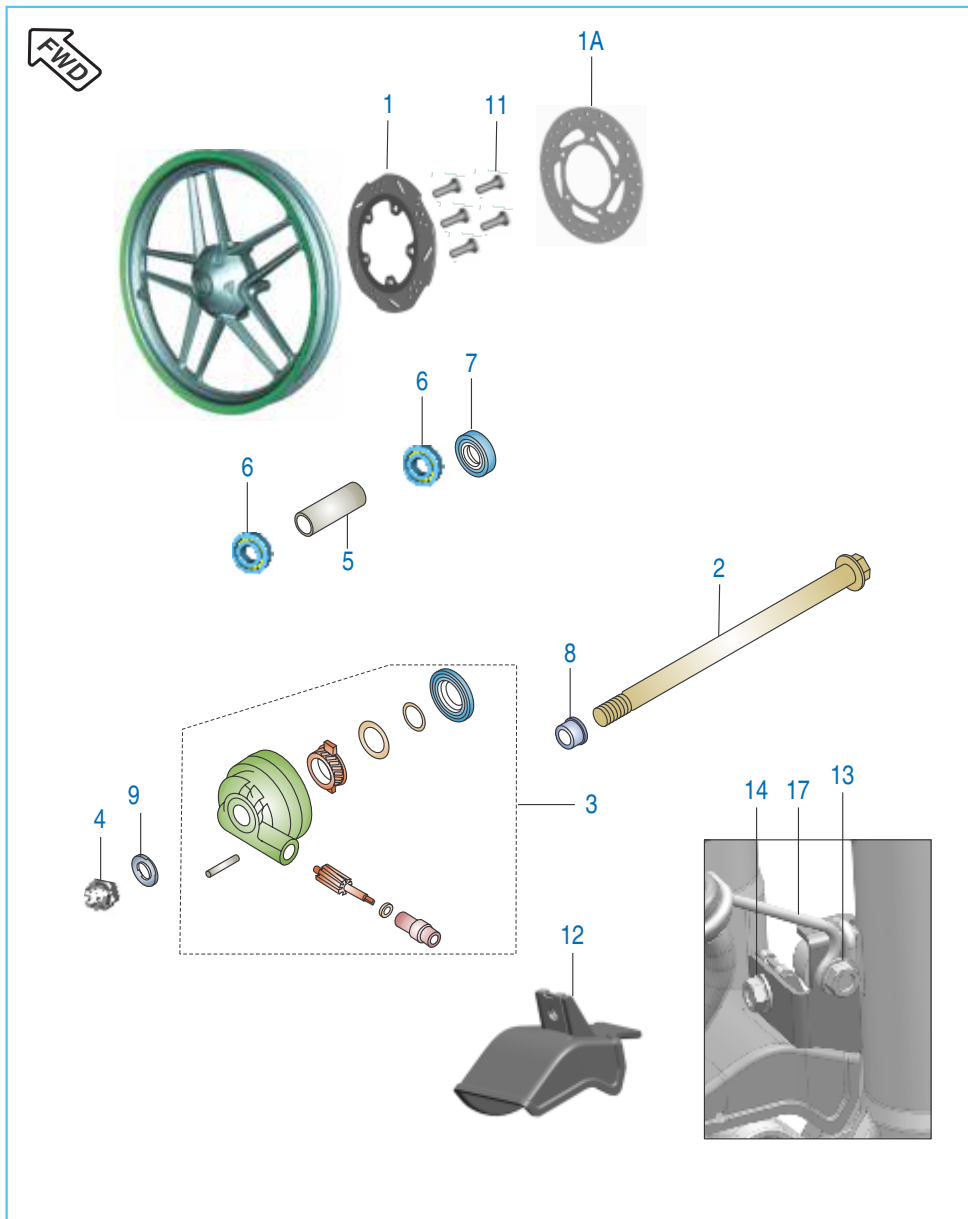
No.	Part No.	Description	Qty.		Remarks
			V15	V12	
1	JH 1132 01	Center Stand	1	1	
2	30 1611 57	Shaft Center Stand	1	1	
3	KH AA32 35	Pin Cotter	1	1	
4	JZ 1132 09	Spring Center Stand With Cover	1	1	
5	JZ 1132 12	Spring Cover Center Stand	1	1	
6	PA 1132 04	Damper	1	1	
7	JH 1132 00	Side Stand	1	-	
	JH 1132 05	Stand Side	-	1	
8	DH 1612 40	Spring Side Stand With Cover	1	1	
9	DH 1611 46	Spring Cover	1	1	
10	DF 1611 02	Bolt	1	1	
11	39 0422 15	Nut	1	1	

Wheel Rim & Tyres



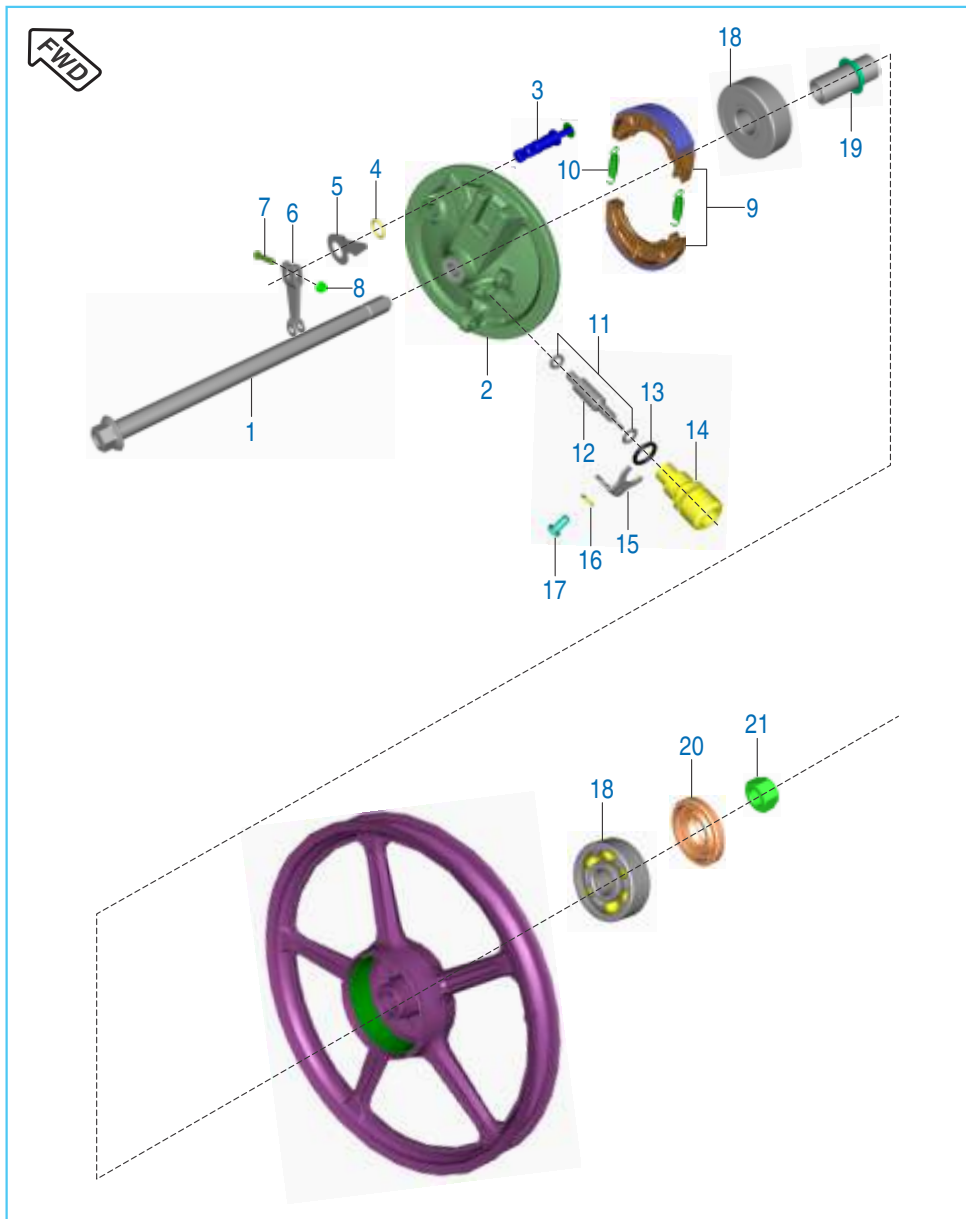
No.	Part No.	Description	Qty.		Remarks
			V15	V12	
1	JH 1310 01	Wheel Rim Front Disc 1.85 x 18	1	-	
1A	JH 1310 31	Wheel Front Drum 1.4 x 18	-	1	
1B	JH 1310 25	Wheel Front Disc 1.4x18	-	1	
2	DK 1510 26	Valve Tubeless Tyre	2	-	
3	JH 1310 06	Tyre Front 90 / 90 - 18 Tubeless	1	-	Not Supplied in Spare
	JH 1310 23	Tyre Front 2.75 x 18	-	1	
4	JH 1312 01	Wheel Rim Rear	1	-	
4A	JH 1312 18	Wheel Rear 2.15 x 16	-	1	
5	JH 1312 02	Tyre Rear 120 / 80 -16 Tubeless	1	-	Not Supplied in Spare
	JH 1312 22	Tyre Rear 100 / 90 - 16	-	1	
6	JH 1310 30	Tube Front 2.75 x 18	-	1	N. I.
7	JH 1312 23	Tube Rear 100 / 90 - 16	-	1	N. I.

Front Wheel Assembly



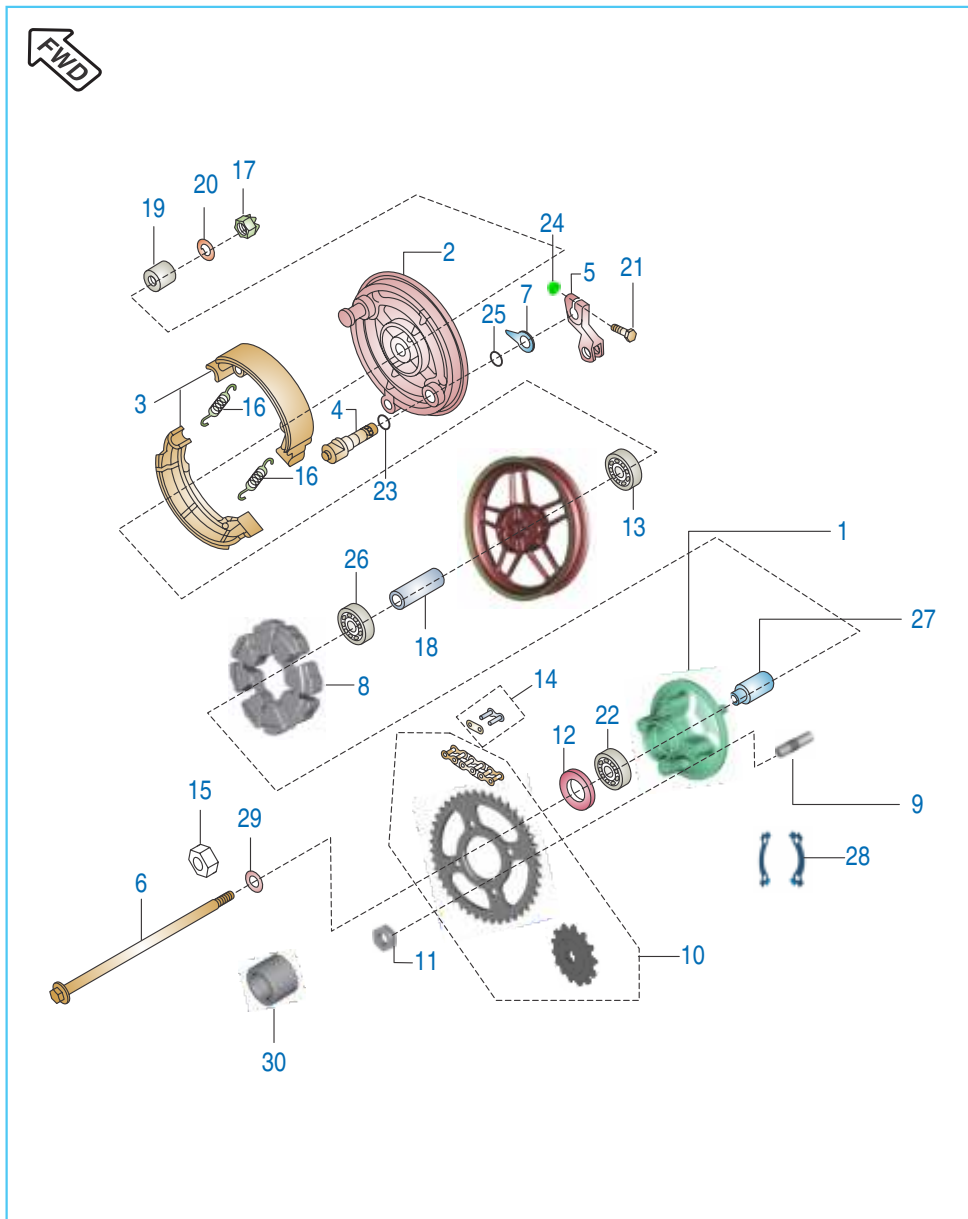
No.	Part No.	Description	Qty.		Remarks
			V15	V12	
1	JD 1318 10	Disc Front 240mm	1	--	
1A	JD 1318 10	Brake Disc	1	--	Model BS IV
	JH 1318 87	Disc Brake 200 DIA	--	1	
2	JH 1310 11	Axle, Front	1	1	
3	JH 1316 00	Case Meter Housing without Cable	1	1	
4	59 1500 03	Nut	1	1	
5	DE 1510 06	Spacer Assembly	1	1	
6	KP BB63 01	Ball Bearing	2	2	
7	30 1510 33	Seal oil	1	1	
8	DS 1510 58	Spacer Front Axle	1	1	
9	39 0781 11	Washer	1	1	
10	DK 1510 26	Valve Tubeless Tyre	2	--	
11	JD 1318 11	Bolt	5	5	
12	JH 1812 99	Cover Disc	1	--	
	JH 1813 05	Cover Disc	--	1	
13	KA DD06 18	Bolt	1	1	
14	KA DD06 14	Bolt	1	1	
15	JH 1813 00	Bracket Cover Disc	1	--	
	JH 1813 06	Bracket Cover Disc Mounting	--	1	
16	JN 1812 11	Clip Nut	1	1	
17	JH 1210 79	Hook - Brake Hose Routing	1	1	

Front Hub - V12 Drum



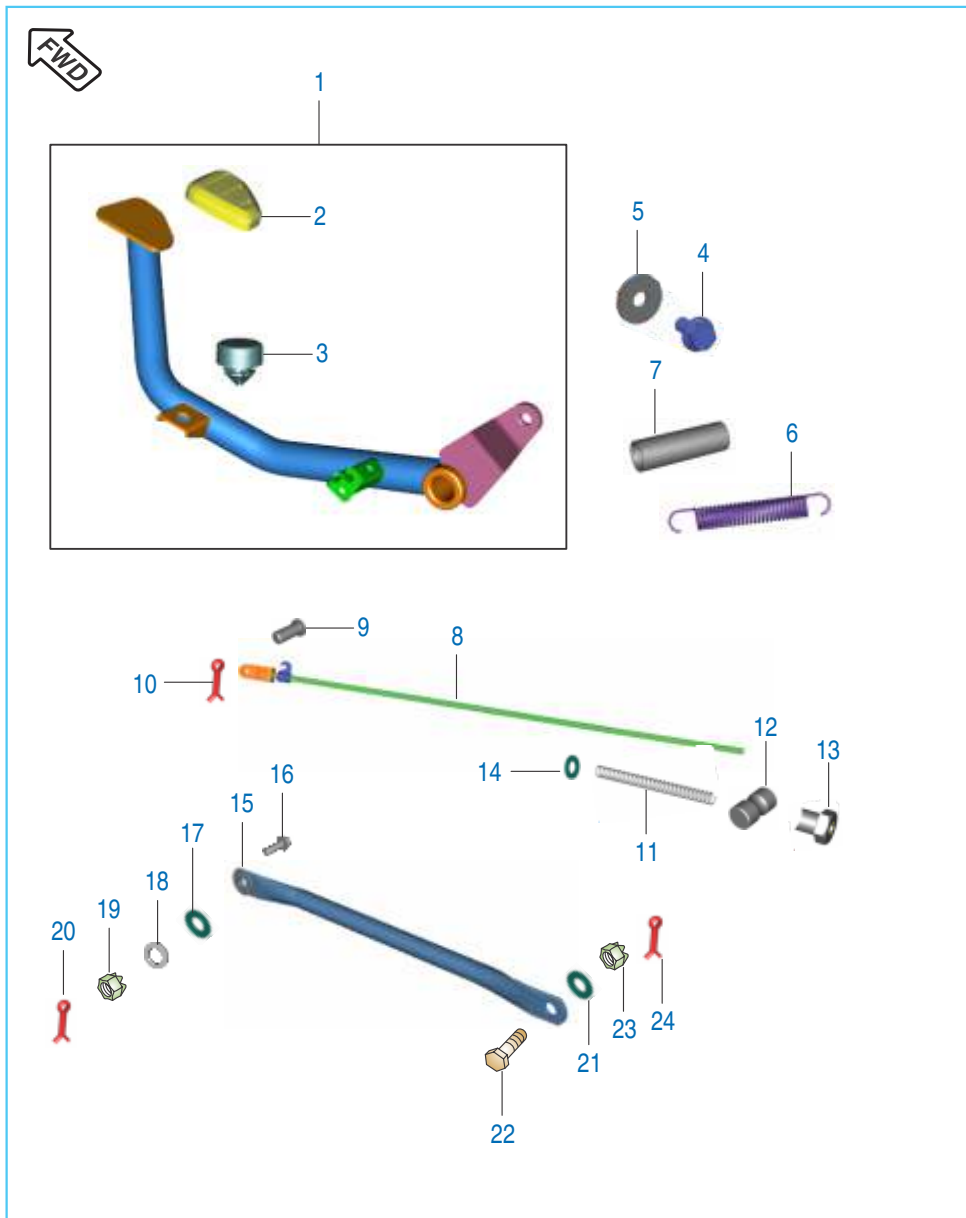
No.	Part No.	Description	Qty.		Remarks
			V15	V12	
1	JH 1310 11	Axle Front	-	1	
2	JH 1318 20	Assembly Brake Panel Fr 130 Dr	-	1	
3	DS 1510 89	Cam Brake Assembly Front	-	1	
4	30 1510 38	O Ring	-	1	
5	DS 1510 91	Wear Indicator	-	1	
6	JH 1318 80	Lever Brake Front	-	1	
7	KA EF06 30	Bolt Flange	-	1	
8	DS 1510 94	Flanged Nut	-	1	
9	30 1511 05	Shoe Brake	-	2	
10	30 1510 69	Spring	-	2	
11	39 0242 11	Washer A	-	2	
12	36 3015 09	Kit Gear Speddo Meter	-	1	
13	39 1013 21	O Ring	-	1	
14	JA 1316 06	Bushing	-	1	
15	30 1511 18	Stopper For Bushing	-	1	
16	KD DB04 08	Washer Spring Thin	-	1	
17	KB BM04 08	Screw Pan Cross	-	1	
18	KP BB63 01	Bearing Ball C3 Clearance	-	2	
19	30 1510 32	Collar Bearing	-	1	
20	30 1510 33	Seal - Oil	-	1	
21	59 1500 03	Nut	-	1	
22	JB 1310 22	Spacer Assembly	-	1	

Rear Wheel Assembly

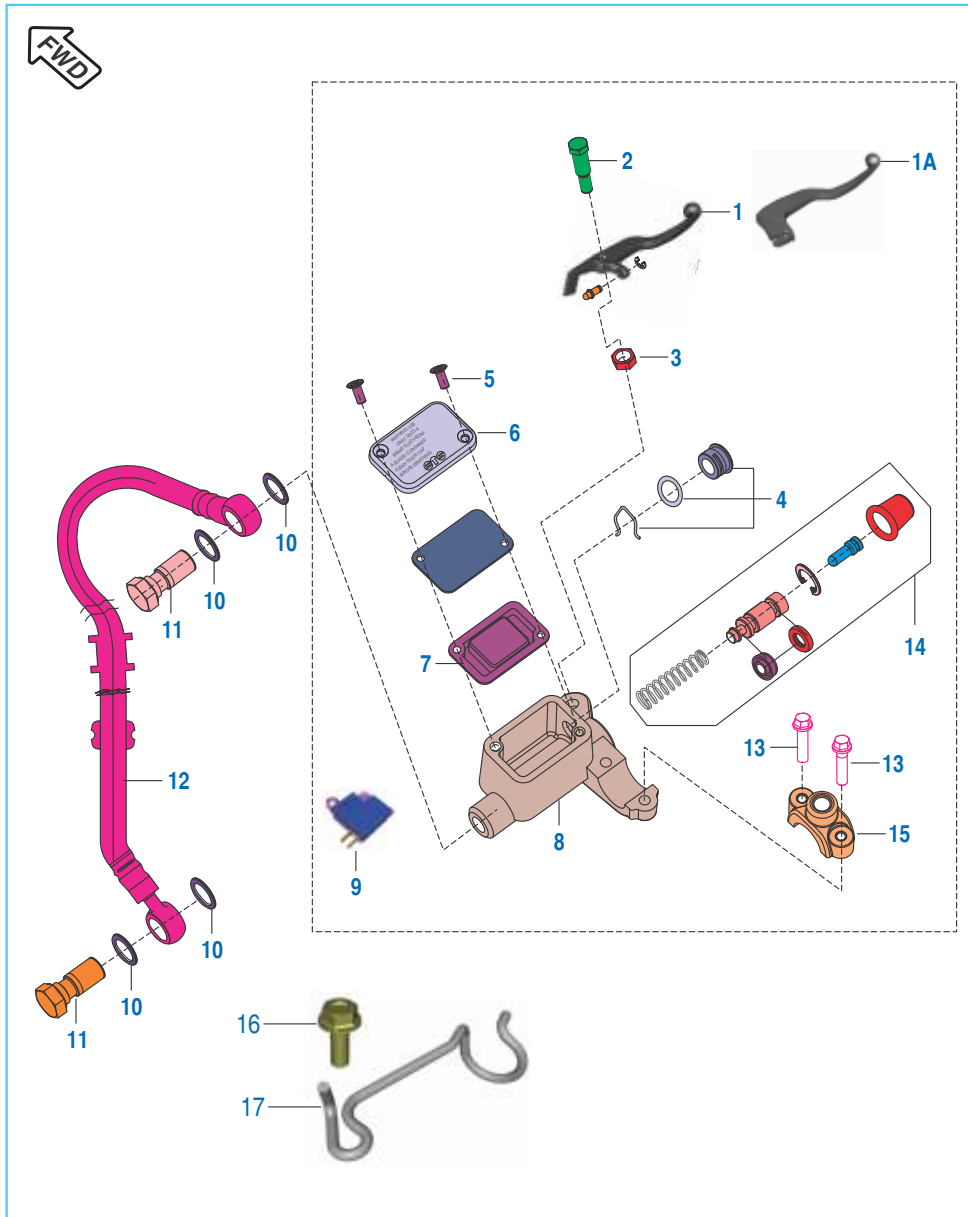


No.	Part No.	Description	Qty.		Remarks
			V15	V12	
1	JC 1510 16	Coupling	1	1	
2	JH 1318 02	Assly Panel Brake Rear	1	1	
3	30 1511 05	Shoe Brake Rear	2	2	
4	JC 1510 04	Cam Brake	1	1	
5	JH 1318 03	Lever Brake Cam	1	1	
6	DT 1312 07	Axle Rear	1	1	
7	JC 1510 06	Indicator Brake Shoe	1	1	
8	DK 1510 94	Coupling Rubber	1	1	
9	DS 1510 73	Stud	4	4	
10	36 JH00 06	Chain Sprocket Kit	1	1	Refer Kit Details From Dec 2016
	36 JH00 69	Chain Sprocket Kit	1	1	
11	LC B000 05	Nut	4	4	
12	DK 1510 12	Seal Oil	1	1	
13	KP BB63 02	Bearing Ball	1	1	
14	JD 1410 03	Chain Link Lock	1	1	
15	39 0801 15	Nut	1	1	
16	30 1510 69	Spring Brake Shoe	2	2	
17	DH 1710 19	Nut	1	1	
18	30 1510 75	Collar Rear Brake Drum	1	1	
19	DJ 1510 34	Collar Rear Axle	1	1	
20	39 2566 11	Washer	1	1	
21	KA EF06 30	Bolt	1	1	

Rear Brake Pedal

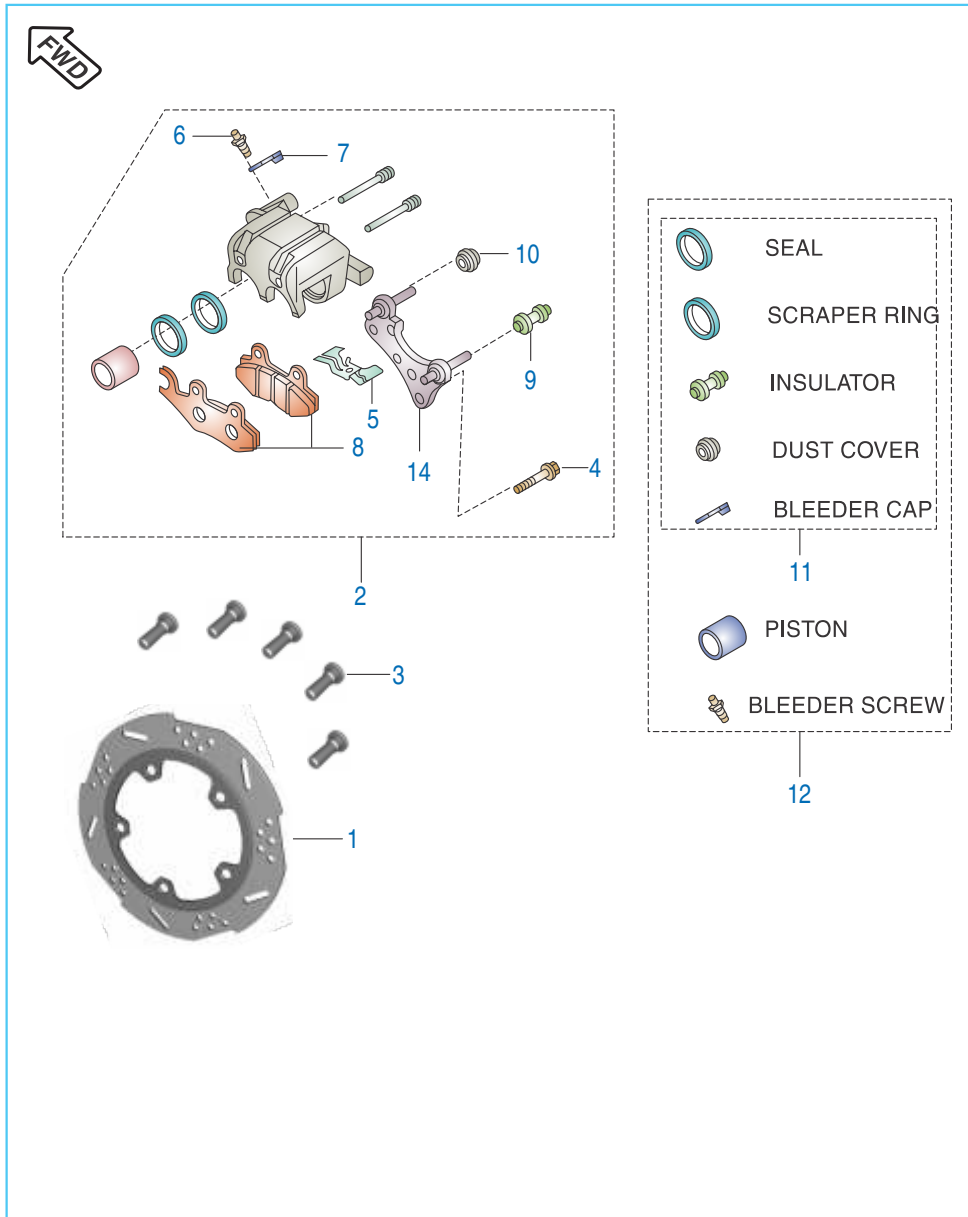


No.	Part No.	Description	Qty.		Remarks
			V15	V12	
1	52 JH00 22	Rear Brake Pedal	1	1	
2	JH 1610 02	Pad Brake Pedal	1	1	
3	DD 1610 78	Damper	1	1	
4	39 1680 04	Bolt Flange	1	1	
5	DG 1910 45	Washer Plain	1	1	
6	JD 1610 02	Spring Brake Pedal	1	1	
7	JD 1610 06	Sleeve Spring Brake Pedal	1	1	
8	JH 1610 04	Brake Rod	1	1	
9	JZ 1318 75	Pin Brake Rod	1	1	
10	KH AA20 15	Pin Snap	1	1	
11	30 1910 35	Spring	1	1	
12	15 1910 26	Pin	1	1	
13	30 1910 36	Brake Adjusting Nut	1	1	
14	39 0198 11	Washer Plain	1	1	
15	JD 1220 04	Torque Rod	1	1	
16	JA 1210 05	Step Bolt	1	1	
17	39 1540 11	Washer Plain	1	1	
18	39 0789 12	Washer Spring	1	1	
19	39 0694 15	Hex Lock Nut	1	1	
20	39 0807 08	Pin Snap	1	1	
21	KD DB10 18	Washer Plain	1	1	
22	30 1510 95	Hex Bolt	1	1	
23	KC AA10 08	Nut Master	1	1	
24	KH BA08 28	Pin Snap	1	1	



Front Master Cylinder Assembly

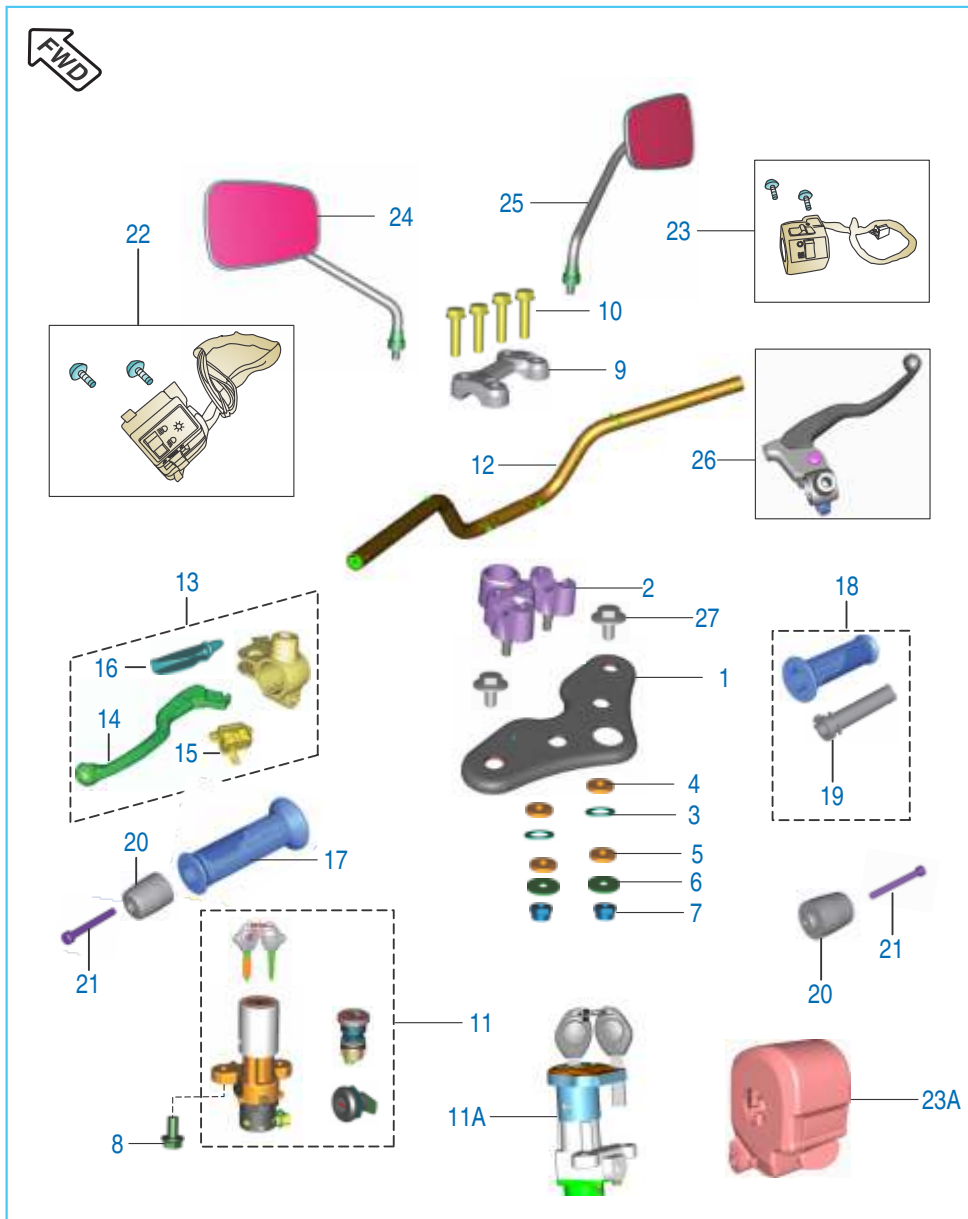
No.	Part No.	Description	Qty.		Remarks
			V15	V12	
1	DJ 1910 57	Lever Front Brake	1	1	Drum Brake
	DD 1911 42	Lever Grip Right	-	1	
2	DJ 1910 29	Bolt Front Brake Lever	1	1	
3	DJ 1910 30	Nut	1	1	
4	DH 1910 62	Oil Window Kit	1	1	
5	DJ 1910 31	Screw	2	2	
6	DH 1910 60	Cover - Reservoir	1	1	
7	DE 1910 28	Diaphragm	1	1	
8	DJ 1910 56	Master Cylinder with lever	1	1	
9	DJ 2011 09	Brake Switch	1	1	
10	DE 1910 10	Washer - Copper	4	-	
	DJ 1910 26	Washer - Copper	-	1	
11	36 PD00 36	Kit Bolt - Banjo With Washer	2	-	
	DJ 1910 25	Banjo Bolt	-	2	
12	JH 1318 01	Hose Assembly	1	-	
	JH 1318 33	Hose Assembly	-	1	
13	LA D000 37	Bolt Flanged M8 x 1 x 50	2	2	
14	36 JF00 18	Major Kit M-11	1	1	
14A	36 JF00 19	Minor Kit Master Cylinder	1	1	
15	DE 1910 33	Clamp - Holder : RH	1	1	
16	JH 1210 79	Hook -brake Hose Routing	1	1	
17	KA DD06 18	Bolt	1	1	



Front Brake - Caliper & Disc

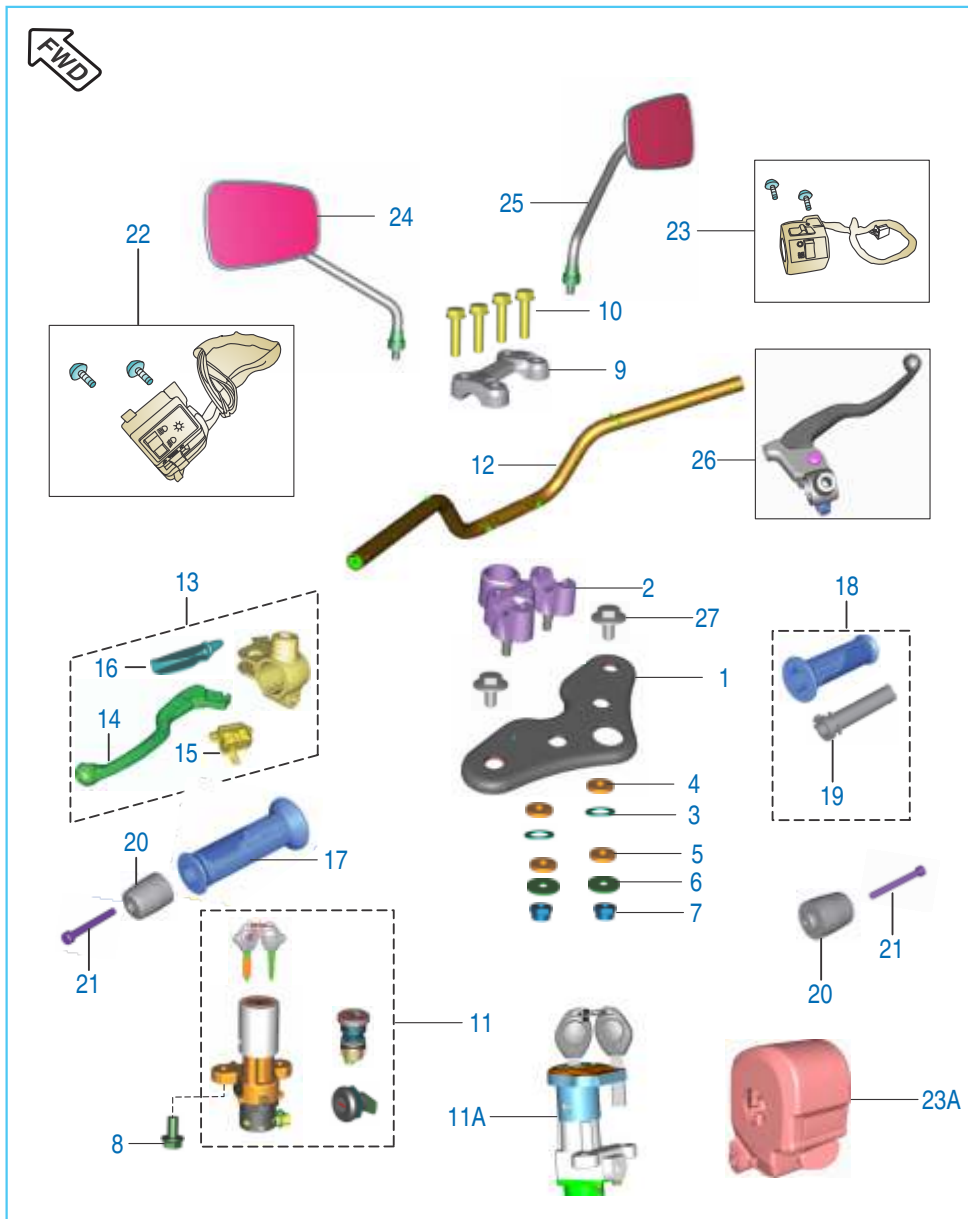
No.	Part No.	Description	Qty.		Remarks
			V15	V12	
1	JD 1318 10	Disc, Front	1	-	
	JH 1318 87	Disc Brake 200 Dia	-	1	
2	DG 1510 89	Caliper Assly. Front	1	-	
	JH 1318 35	Assembly Calliper	-	1	
3	JD 1318 11	Bolt, Disc Plate	5	5	
4	DG 1510 88	Bolt Flanged	2	-	
5	36 PD00 43	Kit Caliper Assembly Pad Spring	1	-	
6	DE 1510 46	Bleeder Screw	1	-	
7	DE 1510 47	Bleeder Cap	1	-	
8	JW 1318 07	Disc Pad Set	1	1	
9	DE 1510 43	Insulator	1	-	
10	DE 1510 45	Dust cover	1	-	
11	36 JF00 16	Minor Kit - Caliper	1	-	
	36 DJ40 32	Minor Kit - Caliper	-	1	
12	36 JF00 15	Major Kit - Caliper	1	-	
	36 DJ40 33	Major Kit - Caliper	-	1	
13	JW 1318 10	Kit Caliper Assembly Pad Pin	1	-	

Handle Bar Assembly



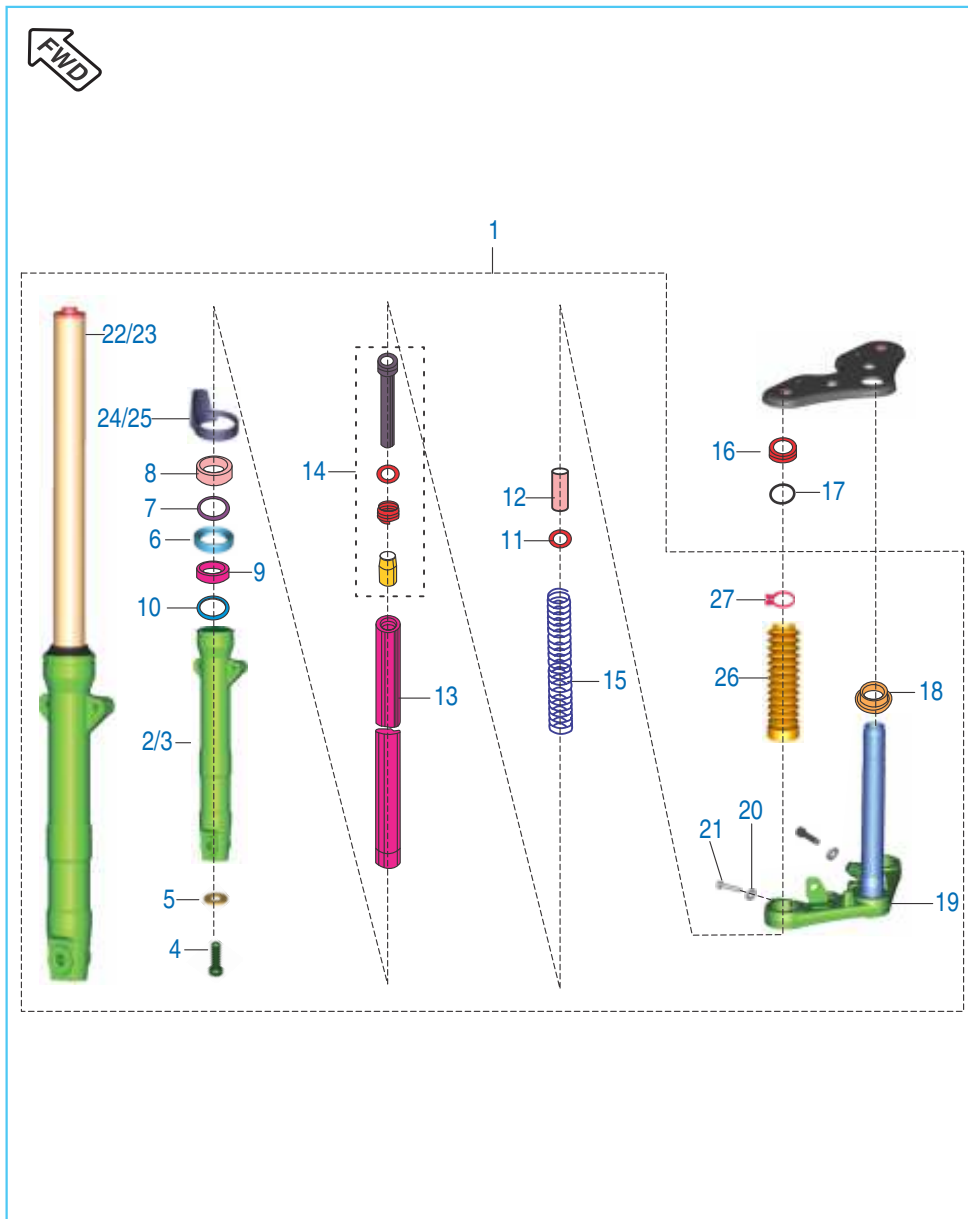
No.	Part No.	Description	Qty.		Remarks
			V15	V12	
1	JH 1510 06	Holder Fork Upper	1	1	
2	JH 1510 07	Holder Handle Lower	1	-	
	JH 1510 21	Handle Holder Lower	-	2	
3	DS 1810 07	Washer Handle Upper	2	2	
4	JZ 1510 78	Damper Handle Upper	2	2	
5	JZ 1510 79	Damper Handle Lower	2	2	
6	DS 1810 10	Washer Handle Lower	2	2	
7	39 0422 15	Nut Nylock	2	2	
8	LA E000 21	Bolt Flanged	2	2	
9	JH 1510 09	Holder Handle Upper	1	1	
10	39 2582 04	Flanged Bolt	4	4	
11	JH 2326 02	Lock Set	1	--	
	52 JH04 33	Lock Set With Cap BSIV	1	-	
	JH 2326 12	Set Lock	1	--	1D - 4UP Model
	JH 2326 16	Set Lock	--	1	1D - 4UP Model
	JH 2326 06	Lock Set with Fuel Tank Cap	--	1	
	52 JH04 31	Lock Set with Fuel Tank Cap	--	1	
11A	JH 2326 16	Set Lock	-	1	
12	JH 1510 01	Handle Bar	1	1	
13	PF 1610 09	Lever & Holder Assly	1	1	
14	PF 1610 15	Lever Clutch	1	1	
15	JZ 4014 03	Clutch Switch	1	1	
16	DS 1910 52	Boot Clutch Lever	1	1	
17	JH 1510 02	Grip Handle LH	1	1	
18	JH 1510 03	Assembly Grip RH	1	1	
19	PA 1510 23	Pipe Throttle	1	1	
20	JH 1510 11	Handle Bar Weight	2	-	
	JH 1510 41	Weight Handle Bar End	2	-	Model BS IV
	DH 1810 22	Handle Bar Weight	-	2	

Handle Bar Assembly



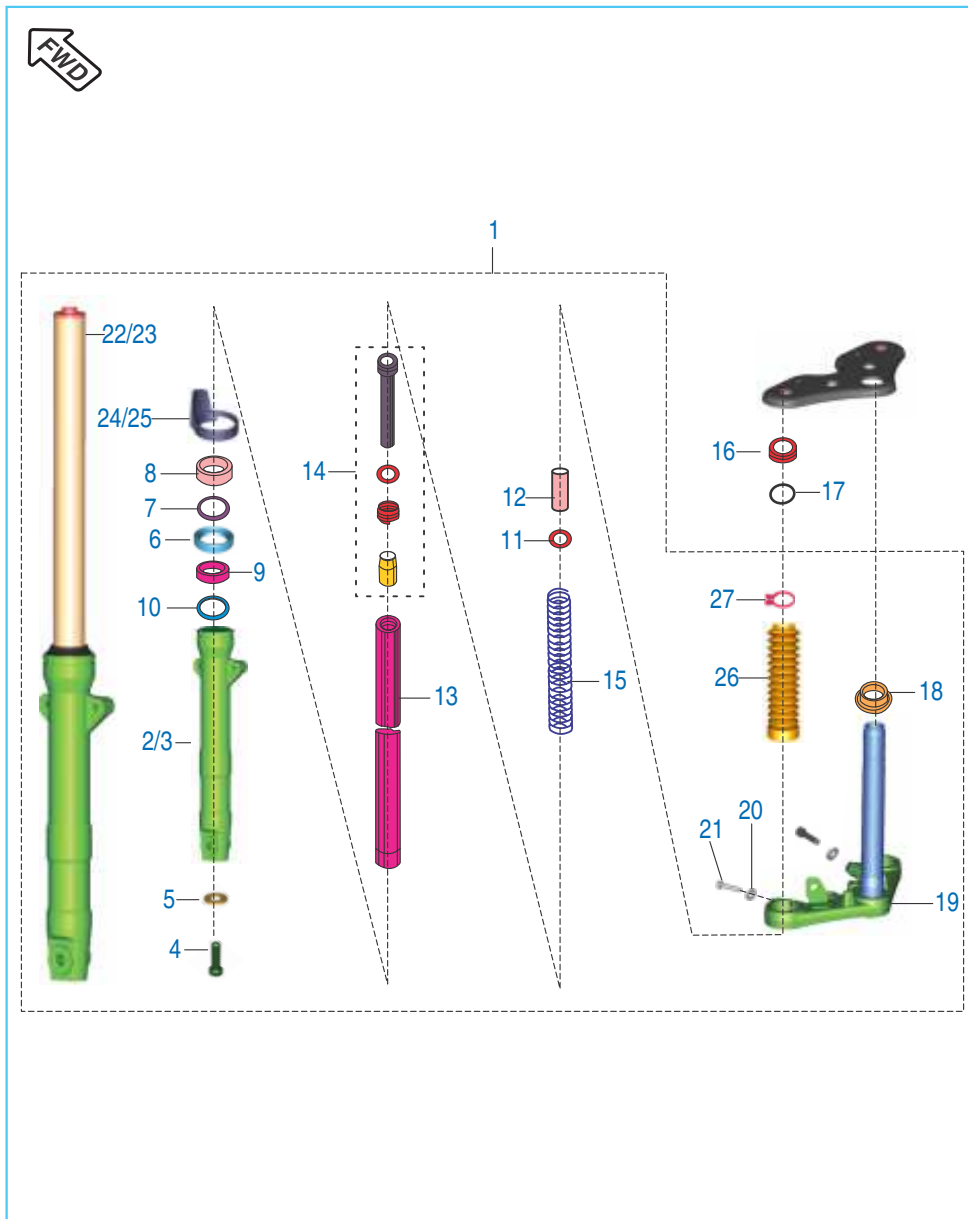
No.	Part No.	Description	Qty.		Remarks
			V15	V12	
21	KA CF06 55	Bolt Socket	2	2	
22	JH 4014 00	Switch Control LH	1	1	
23	JH 4014 01	Switch Control RH	1	1	
23A	JH 4014 02	Switch Control RH	1	1	AHO Model
24	JH 2316 00	Mirror Assembly LH	1	1	
25	JH 2316 01	Mirror Assembly RH	1	1	
26	PF 1610 11	Assembly Lever Holder RH	-	1	
27	59 0400 06	S. S. Hex Head Bolt (With Washer)	-	2	

Front Fork



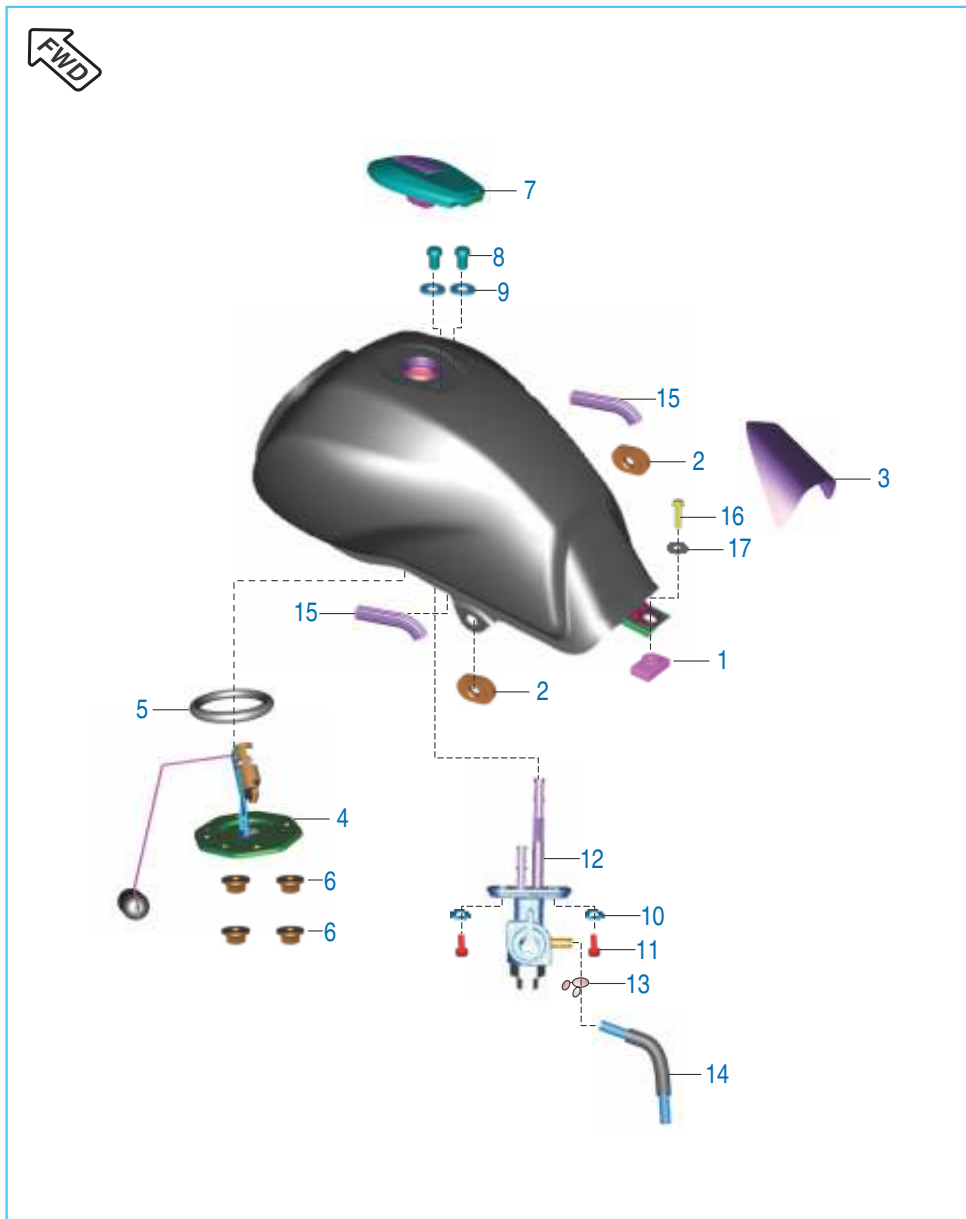
No.	Part No.	Description	Qty.		Remarks
			V15	V12	
1	JH 1210 09	Fork Assembly Front	1	-	
	JH 1210 50	Fork Assembly Drum	-	1	
	JH 1210 38	Assembly Front Fork Disc	-	1	For Disc Type
2	JH 1210 12	Tube Outer LH	1	-	
	JH 1210 53	Tube Outer LH	-	1	
	JH 1210 39	Tube Outer LH	-	1	For Disc Type
3	JH 1210 13	Tube Outer RH	1	-	
	JH 1210 54	Tube Outer RH	-	1	
	JH 1210 40	Tube Outer RH	-	1	For Disc Type
4	KA CF08 30	Socket Head Bolt	2	2	
	30 1810 26	Copper Washer	2	2	
6	36 PD00 82	Fork oil seal kit	2	-	
	36 JZ02 09	Fork oil seal kit	-	2	
7	DG 1810 22	Ring Snap	2	-	
	31 1811 08	Ring Snap - Oil Seal Stopper	-	2	
	DG 1810 21	Inner Dust Seal	2	-	
8	DD 1810 32	Inner Dust Seal	-	2	
	DG 1810 13	Bushing Pipe Outer	2	-	
10	JK 1210 07	Guide Bush	-	2	
	DG 1810 24	Washer	2	-	
	JK 1210 09	Washer Guide Bush	-	2	
11	DG 1810 15	Washer	2	-	
	DM 1810 10	Washer	-	2	
12	JH 1210 33	Spacer Tube	2	-	
	JK 1210 08	Spacer Tube	-	2	
13	JH 1210 05	Fork Pipe Inner	2	-	
	JH 1210 41	Fork Pipe Spinning	-	2	
14	36 JH00 11	Cylinder Complete Fork	2	-	Refer Kit Details
	36 JH00 31	Cylinder Complete Fork	-	2	Refer Kit Details

Front Fork



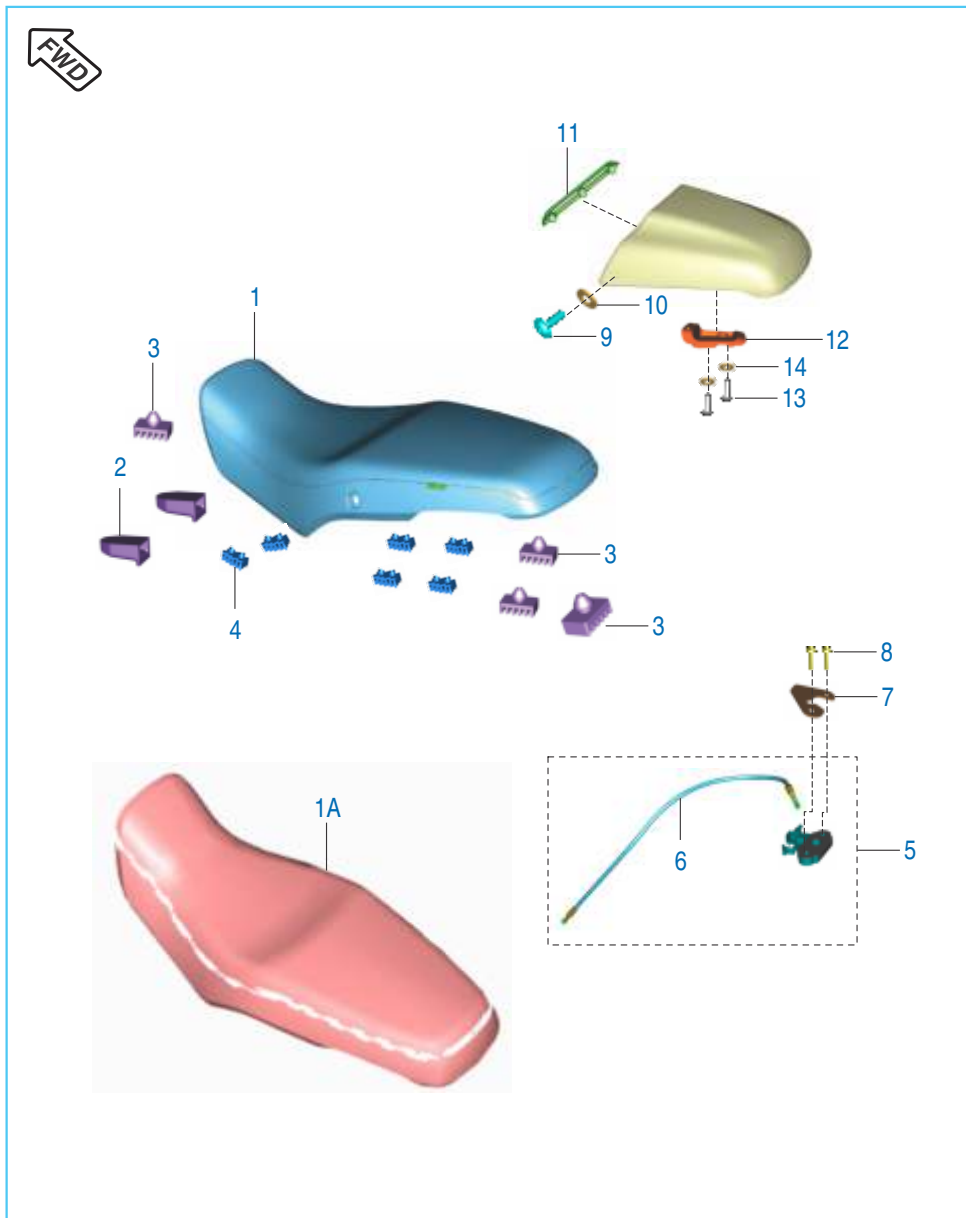
No.	Part No.	Description	Qty.		Remarks
			V15	V12	
15	JH 1210 32	Main Spring	2	-	
	JH 1210 56	Spring Main	-	2	
16	JH 1210 16	Fork Bolt	2	-	
	DS 1810 12	Bolt Fork	-	2	
17	DG 1810 26	'O' Ring	2	-	
	30 1810 29	'O' Ring	-	2	
18	36 PA01 44	Kit Steering Cone	1	-	Refer Kit Details
19	JH 1210 06	Under Bracket Assembly	1	-	
	JH 1210 43	Assembly Under Bracket Complete	-	1	
20	39 0789 12	Spring Washer	2	2	
21	39 1181 01	Bolt	2	2	
22	JH 1210 11	Leg Assembly RH	1	-	
	JH 1210 52	Fork Leg Assembly RH	-	1	
	JH 1210 48	Leg Assembly RH	-	1	
23	JH 1210 10	Leg Assembly LH	1	-	
	JH 1210 51	Fork Leg Assembly LH	-	1	
	JH 1210 47	Leg Assembly LH	-	1	
24	JH 1210 14	Cover Dust Fork LH	1	-	
25	JH 1210 19	Cover Dust Fork RH	1	-	
26	JH 1210 42	Bellow	-	2	
27	PF 1210 54	Clamp For Bellow	-	2	

Fuel Tank

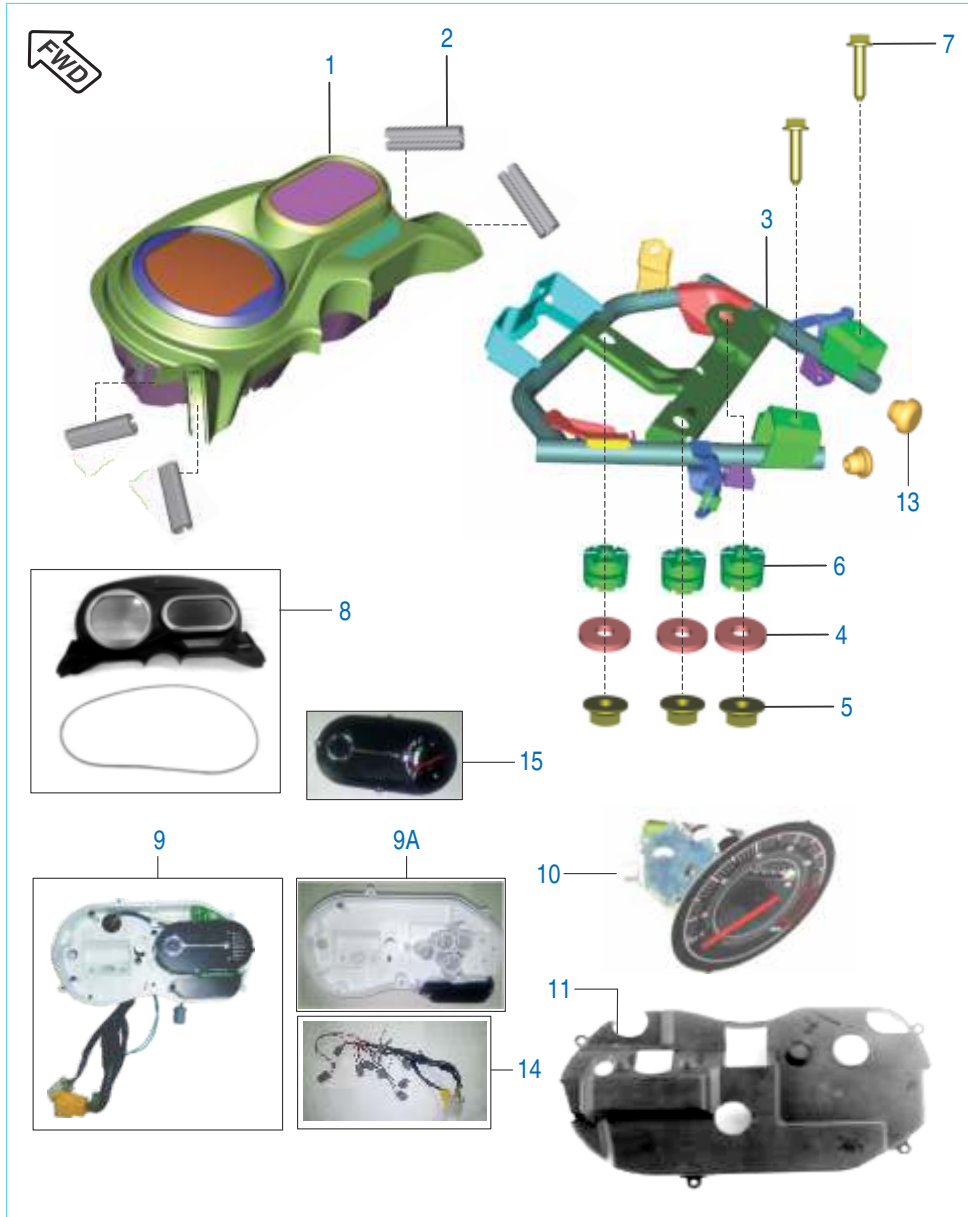


No.	Part No.	Description	Qty.		Remarks
			V15	V12	
1	JD 1110 52	Grommet Tank Mtg	1	1	
2	DS 1410 12	Grommet Side Cover FR	2	2	
3	JH 1710 08	Seat Tape	1	1	
4	JH 4026 00	Gauge Fuel Tank	1	1	
5	JH 1710 17	O Ring Fuel Gauge	1	1	
6	39 2484 15	Nut	4	-	
	KC GA05 05	Nut Hex Flanged	-	4	
7	JH 1710 33	Cap Fuel Tank	1	--	
	JH 2326 02	Lock Set	1	--	
	52 JH04 33	Lock Set With Cap BSIV	1	--	
	JH 2326 06	Lock Set with Fuel Tank Cap	--	1	
	52 JH04 31	Lock Set with Fuel Tank Cap	1	--	
8	AP 1012 55	Screw Pan M5 x 10 (Pre-Coated)	2	2	
9	39 2179 24	Washer	2	2	
10	39 0740 11	Washer (Non Metallic)	2	2	
11	JD 1718 01	Socket Head Bolt	2	2	
12	JH 1718 00	Assembly Fuel Cock	1	1	
13	DK 1410 41	Pipe Clip	1	1	
14	JH 1718 01	Tube Fuel	1	1	
15	JH 1710 45	Beading Tank	2	2	
16	39 19 5604	Bolt Flanged Small	1	1	
17	39 2424 11	Plain Washer	1	1	
18	DZ 1410 75	4 Hole Washer	1	1	N.I.

Seat Assembly & Seat Lock



No.	Part No.	Description	Qty.		Remarks
			V15	V12	
1	JH 1910 00	Seat Assembly	1	1	
1A	JH 1910 14	Seat Assembly	1	1	1D - 4UP Model
2	PA 1910 10	Damper Seat Front	2	2	
3	JZ 1910 11	Damper Seat Rear	3	3	
4	JZ 1910 10	Damper Seat	6	6	
5	JH 1612 03	Seat Lock Assembly Complete	1	1	
6	JH 1612 04	Cable Seat Lock	1	1	
7	DH 1612 33	Reinforcement Seat Lock	1	1	
8	KA DD06 22	Bolt Flanged	2	2	
9	LB U000 38	Screw Button HD	2	2	
10	JH 1812 55	Washer Retaining	2	2	
11	JH 1812 43	Pad Pillion Seat Cover	1	1	
12	JH 1910 03	Reinforcement Pillion Seat Cover	1	1	
13	LB U000 38	Screw Cr Pan Head Tap	2	2	
14	LD A000 07	Washer Plain Small	2	2	

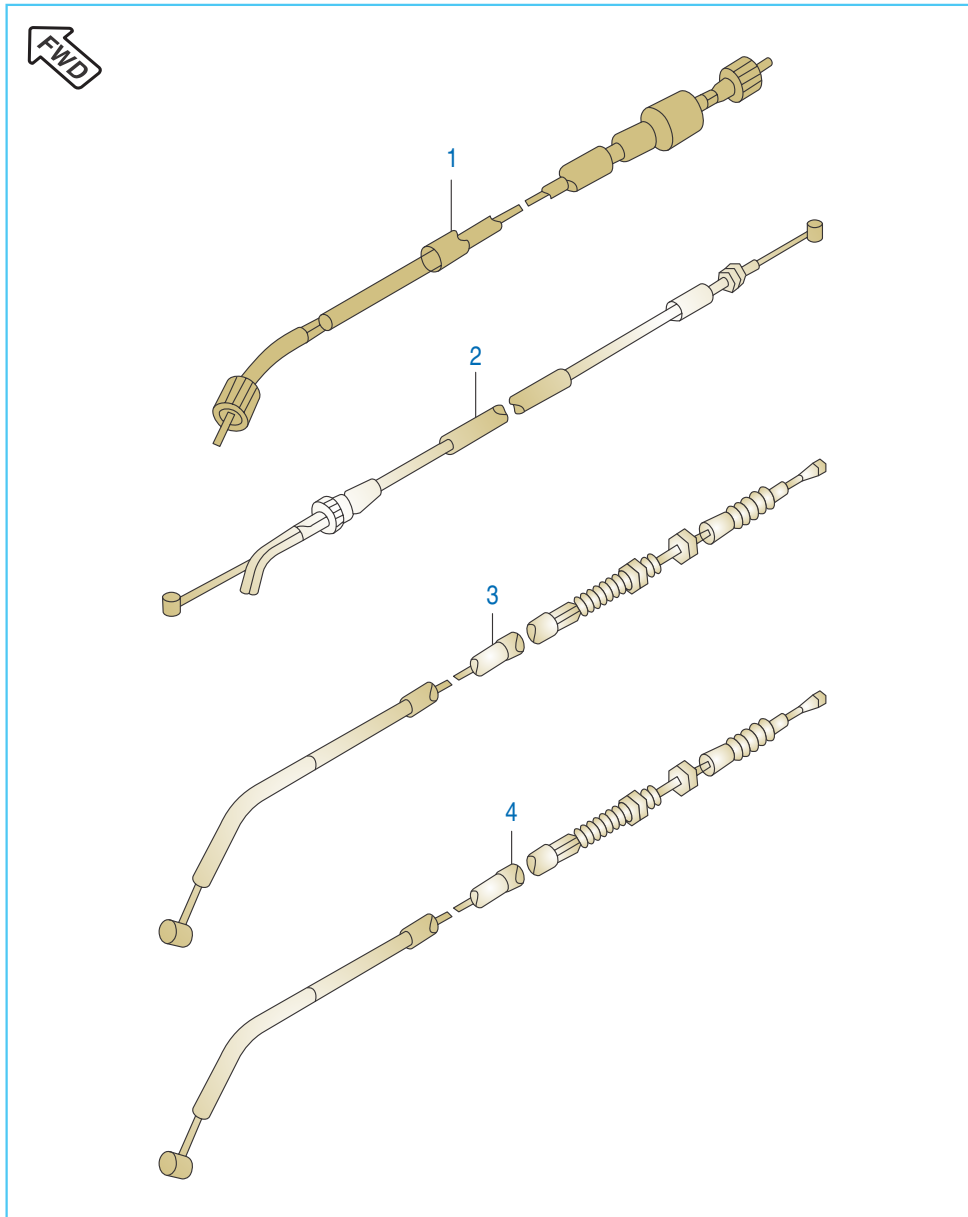


 Front Wheel Direction

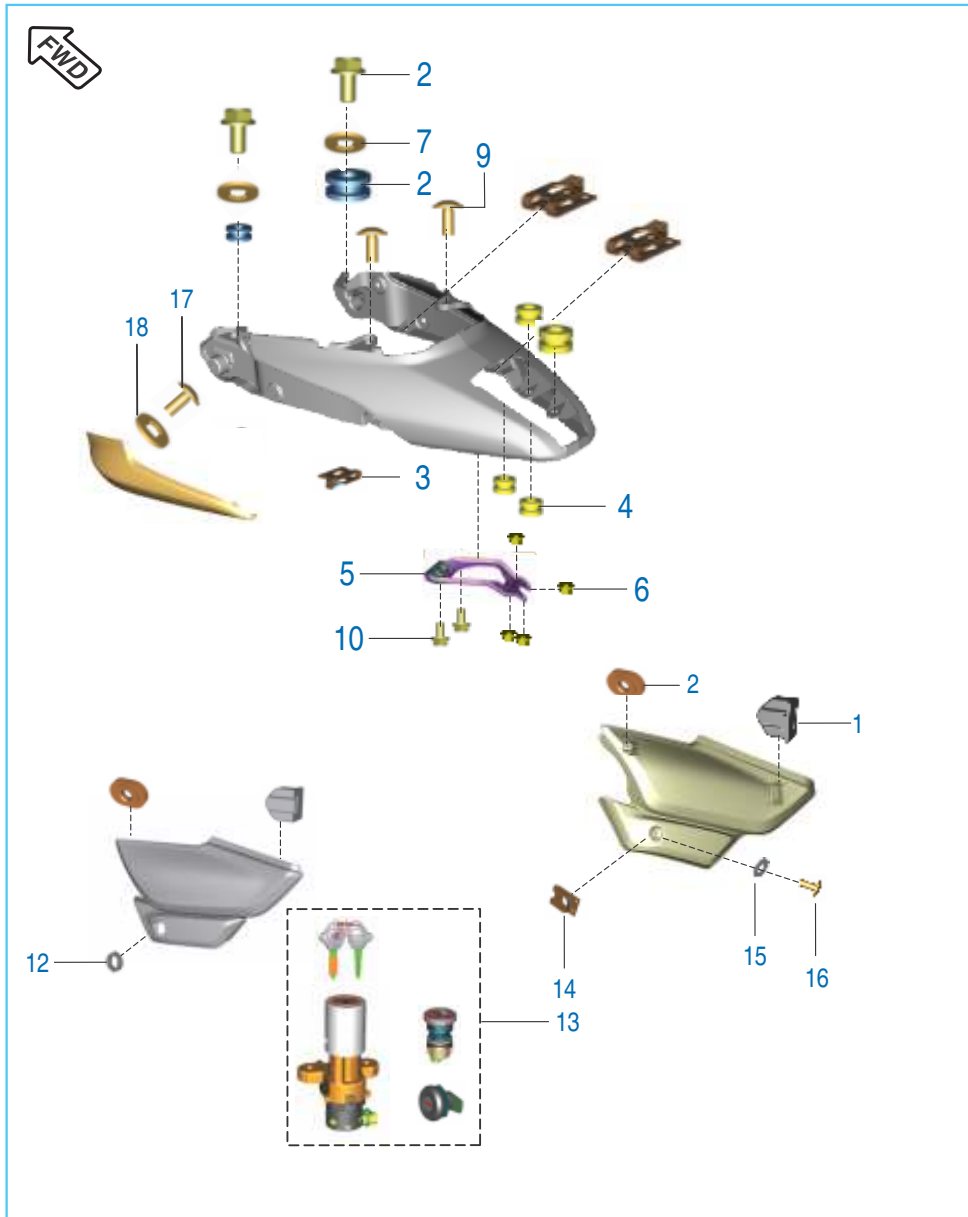
Speedometer

No.	Part No.	Description	Qty.		Remarks
			V15	V12	
1	JH 4024 00	Speedometer	1	-	
	JH 4024 04	Speedometer	-	1	
2	JH 1812 53	Beading Rubber	4	4	
3	JH 1812 07	Fairing Mounting Structure	1	1	
4	39 0258 11	Washer	3	3	
5	KC GA05 05	Nut Flanged	3	3	
6	JZ 1813 65	Grommet	3	3	
7	JL 5911 48	Bolt Hex Flanged	2	2	
8	YJ H010 05	Speedo. Top Cover with Sealing Ring	1	1	
9	YJ H010 04	Housing With Wrig Harn. & Indication	1	-	
9A	YJ H050 04	Housing with Panel	-	1	
10	YJ H010 06	Speedometer With Dial	1	1	
11	YJ H010 03	Back Cover	1	1	
12	CM 2010 54	Bulb T10 12V1.7 W	7	7	
13	JH 1812 59	Plug Fairing Structure	2	2	
14	YJ H050 05	Wiring Harness	-	1	
15	YJ H050 06	Fuel Gauge	-	1	

Cables

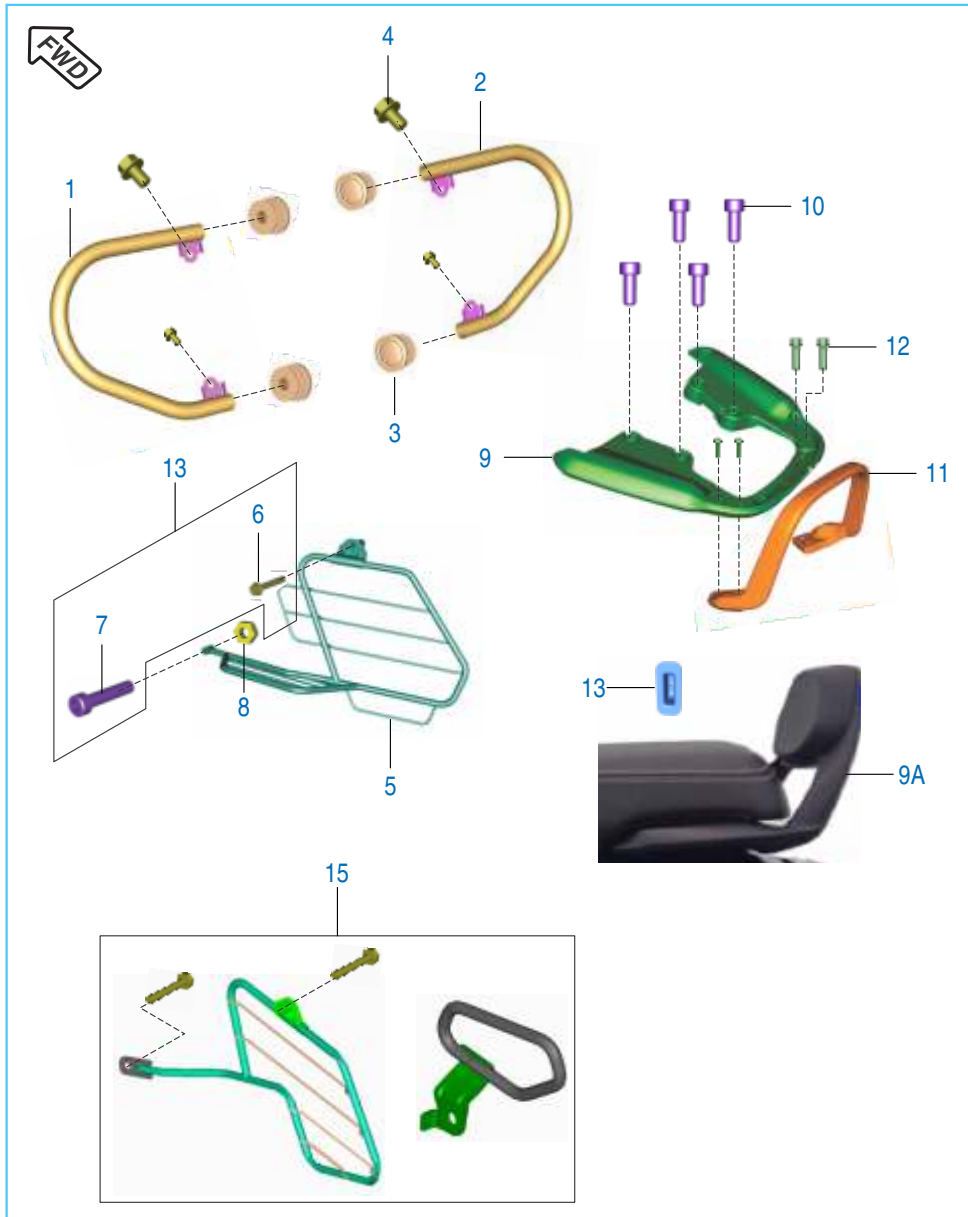


No.	Part No.	Description	Qty.		Remarks
			V15	V12	
1	JZ 1612 10	Cable Speedometer	1	-	
	PA 1612 17	Cable Speedometer	-	1	
2	JZ 1612 24	Cable Clutch	1	1	
	JH 1612 00	Cable Accelerator	1	-	
3	JH 1612 09	Cable Accelerator	-	1	
	JH 1612 02	Cable Choke	1	-	
4	JH 1612 10	Cable Choke	-	1	
	PF 1612 28	Brake Cable	-	1	



Side Covers & Seat Cowl Fittings

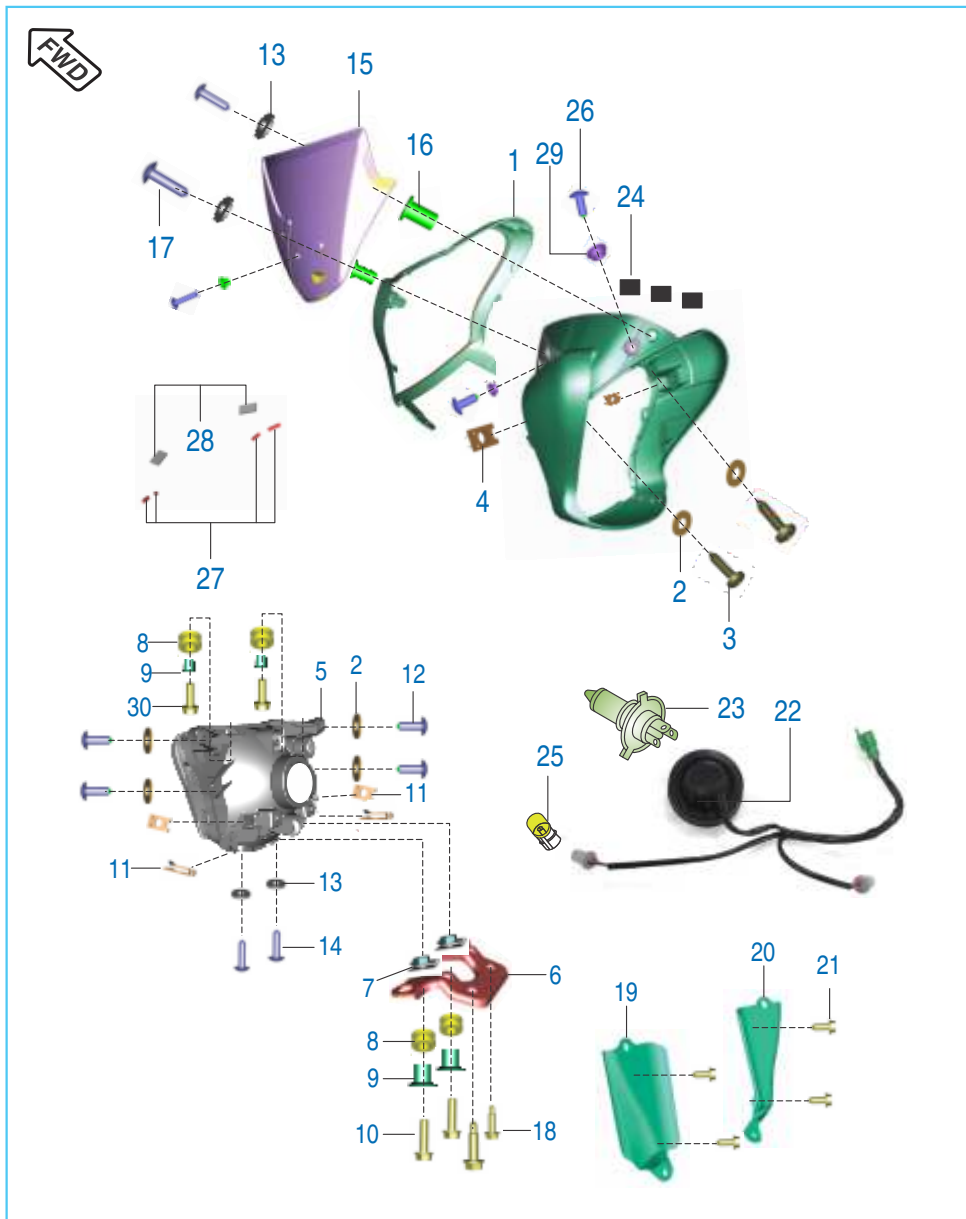
No.	Part No.	Description	Qty.		Remarks
			V15	V12	
1	JZ 1813 22	Grommet Side Cover	2	2	
2	JL 1812 19	Grommet Seat Cowl	2	2	
3	DJ 1612 29	Clip Nut M5	4	4	
4	JH 1812 34	Grommet Tail Lamp Mounting	4	4	
5	JH 1812 28	Bracket Seat Cowl Mounting Rear	1	1	
6	KC GC05 05	Nut Hex Flanged	4	4	
7	LD A000 18	Washer	2	2	
8	KA DF06 12	Bolt Flanged M6	2	2	
9	DG 1611 21	Screw	2	2	
10	KA DF06 14	Bolt Flanged M6	2	2	
11	DS 1410 12	Grommet Side Cover FR	2	2	
12	DU 1611 02	Damper	1	1	
13	JH 2326 02	Lock Set	1	--	
	JH 2326 06	Lock Set with Fuel Tank Cap	1	1	
14	DS 1610 35	Clip Nut	1	1	
15	39 1789 24	Washer Nylon	1	1	
16	DG 1611 21	Screw	1	1	
17	LB R000 03	Screw	8	8	
18	LA D000 07	Washer	8	-	
19	LD A000 07	Washer Plain Small	-	8	



Leg Guards, Saree Guard & Grab Handle

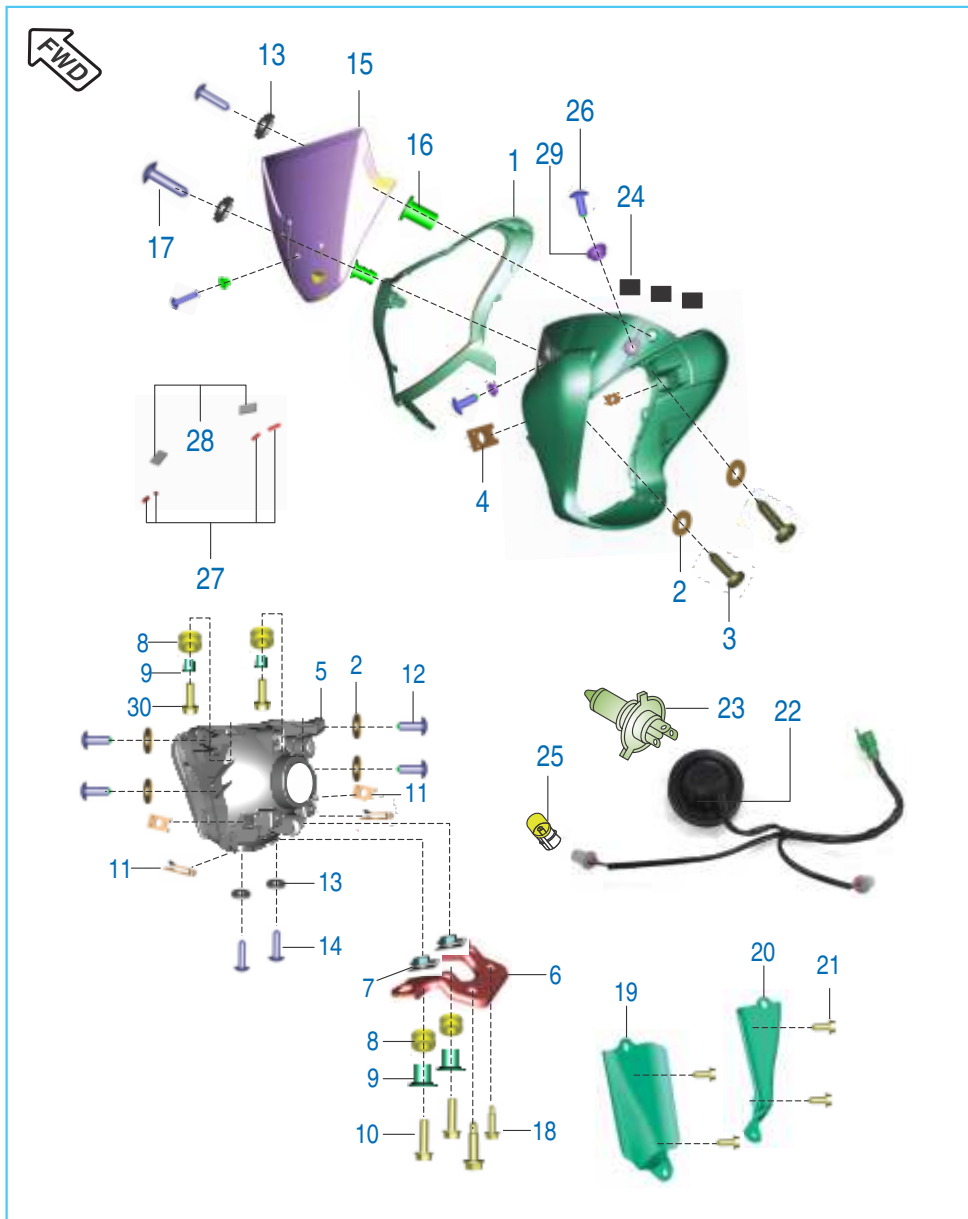
No.	Part No.	Description	Qty.		Remarks
			V15	V12	
1	JH 2312 10	Assembly Leg Guard LH	1	1	
2	JH 2312 11	Assembly Leg Guard RH	1	1	
3	JH 2312 04	Cap Leg Guard	4	4	
4	KA DD08 12	Bolt Flanged	4	4	
5	JH 2312 02	Saree Guard	1	1	
6	KA DD08 50	Bolt Flanged	1	1	
7	KA CF10 50	Bolt Socket	1	1	
8	39 0296 15	Hex Nut M10	1	-	
9	JH 2314 09	Primary Grab Handle Black	1	-	
	56 JH70 6S	Primary Grab Handle Red	1	-	
	56 JH70 1W	Primary Grab Handle White	1	-	
	56 JH70 43	Primary Grab Handle Orange	--	1	
	56 JH70 6E	Primary Grab Handle Silver	--	1	
9A	52 JH06 91	Grab With Backrest Mat Slik Blik	1	1	D - 4UP Model
10	KA CA08 20	Bolt Master KAC	4	4	
11	JH 2314 09	Kit Grab Handle Secondary + Bolts	1	1	
12	LA C000 24	Bolt Socket Head M6 x 1	4	4	
13	JH 2314 22	Cap Backrest	1	1	1D - 4UP Model
14	JH 2330 20	Decal - Pillion Seat Cover	1	1	1D - 4UP Model
15	36 JH00 71	Kit saree guard + grab + fitting	1	1	Refer Kit List

Head Light



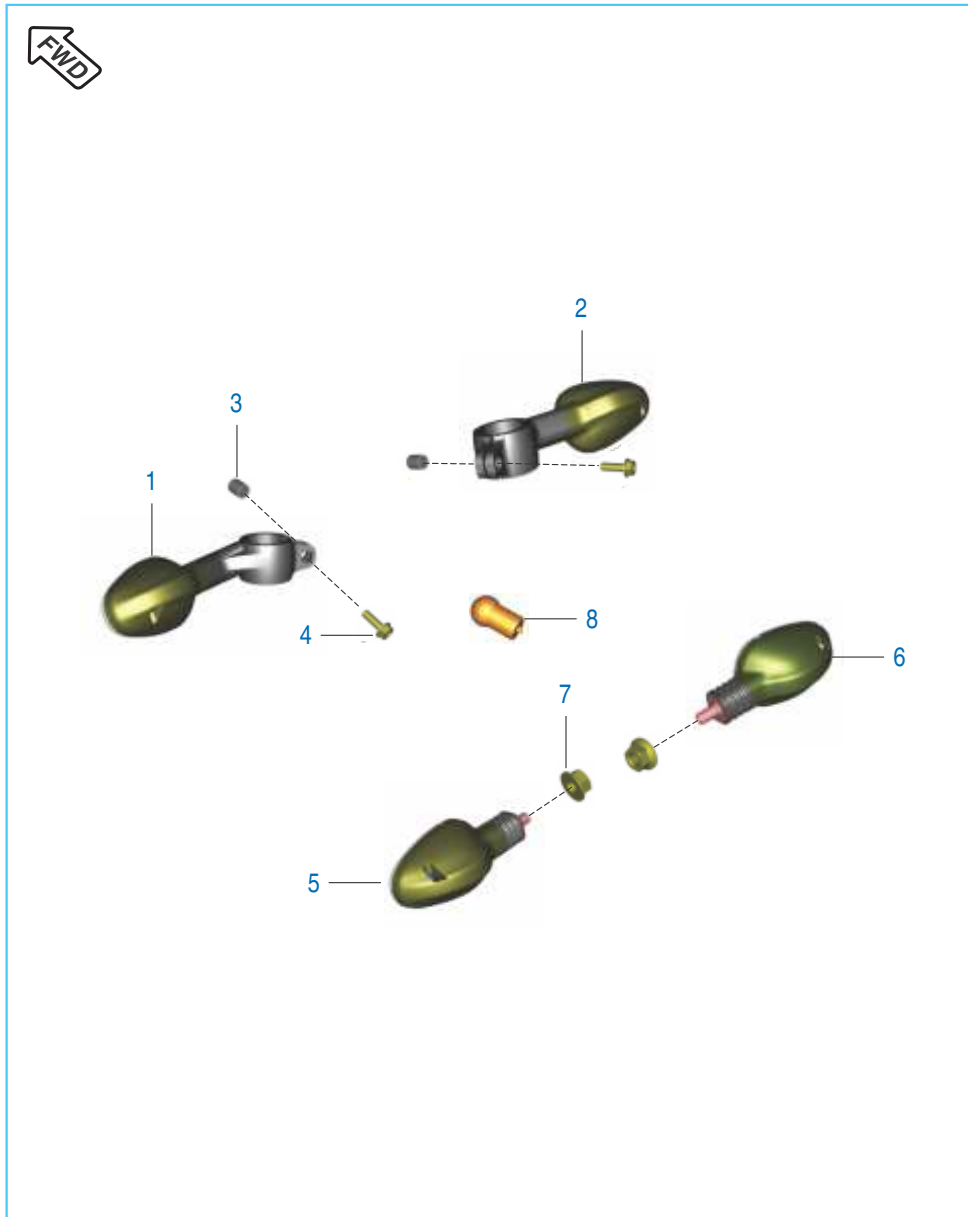
No.	Part No.	Description	Qty.		Remarks
			V15	V12	
1	JH 1812 23	Head Lamp Bezel	1	1	
2	KD BA05 12	Washer	6	6	
3	KB RA42 16	Screw Tapping Pan Cross	2	2	
4	DJ 1612 29	Clip Nut M5	2	4	
5	YJ H010 07	Head Assembly Without Bulb & Cap	1	-	
	YJ H050 01	Head Assembly Without Bulb & Cap	--	1	
6	JH 1812 33	Head Lamp Mounting Bracket Lower	1	1	
7	DJ 1810 65	Clip Nut - M6	2	2	
8	JH 1812 41	Grommet Fairing Mounting	4	4	
9	JH 1812 42	Collar Fairing Mounting	2	4	
10	KA DC06 25	Bolt Flanged	2	2	
11	DJ 1612 29	Clip Nut - M5	4	4	
12	LB U000 23	Screw Truss	4	4	
13	39 2141 24	Washer Non Metallic	4	4	
14	LB U000 44	Screw Truss	2	2	
15	JH 1812 15	Windshield	1	1	
16	JG 1812 36	Well Nut M5	2	2	
17	JZ 1812 06	Screw M5	2	2	
18	LA E000 40	Bolt Flange Small	2	2	
19	JH 1812 38	Cover Back Fairing LH	1	1	
20	JH 1812 39	Cover Back Fairing RH	1	1	

Head Light



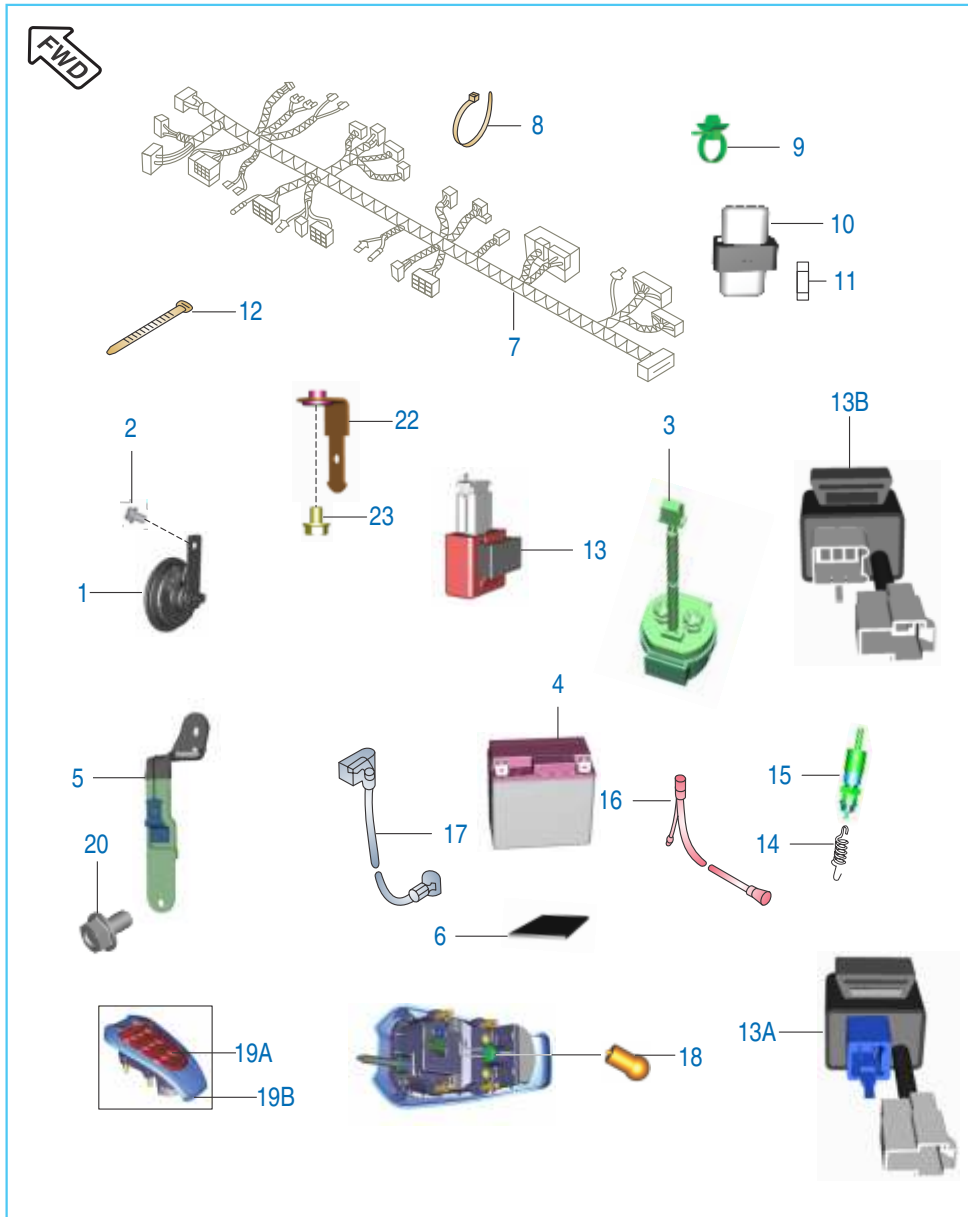
No.	Part No.	Description	Qty.		Remarks
			V15	V12	
21	LA D001 65	Bolt Flange	4	4	
22	YJ H010 01	Wiring Harness & Cap Headlight	1	-	
	YJ H050 02	Wiring Harness & Cap Headlight	--	1	
23	EC 4010 30	Bulb 60/55W	1	-	
	CL 2010 23	Bulb 35/35W	--	1	
24	JH 1812 71	Foam Fairing 20X20X6	3	3	
25	DH 1910 37	Bulb 3W	2	-	
26	LB U000 02	Screw Truss	-	2	
27	PA 1812 49	Foam Speedo Flap	-	4	
28	JL 1812 59	Foam Strip	-	2	
29	JH 1812 62	Sleeve For Fairing Mounting	-	2	
30	KA DC06 20	Bolt Flanged	-	2	

Indicator Light



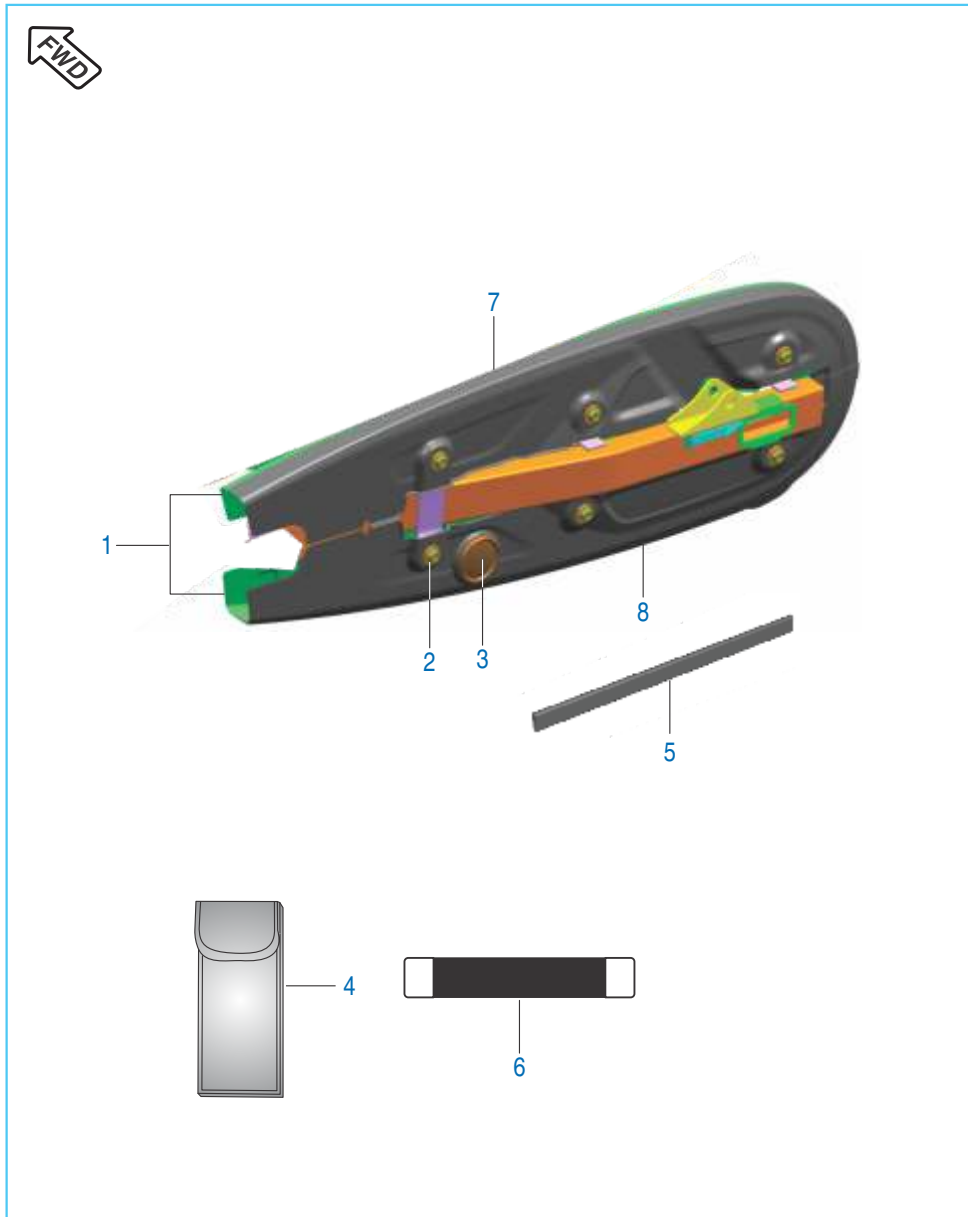
No.	Part No.	Description	Qty.		Remarks
			V15	V12	
1	JH 4010 06	Indicator Front LH	1	-	
	JH 4010 17	Indicator Front LH	-	1	
2	JH 4010 07	Indicator Front RH	1	-	
	JH 4010 18	Indicator Front RH	-	1	
3	31 2010 01	Collar	2	2	
4	KA DD06 20	Bolt Flanged	2	2	
5	JH 4010 00	Rear Indicator LH	1	1	
6	JH 4010 01	Rear Indicator RH	1	1	
7	KC GD10 10	Nut Hex Flange	2	2	
8	GH 2010 12	Bulb	4	4	

Electrical Equipment



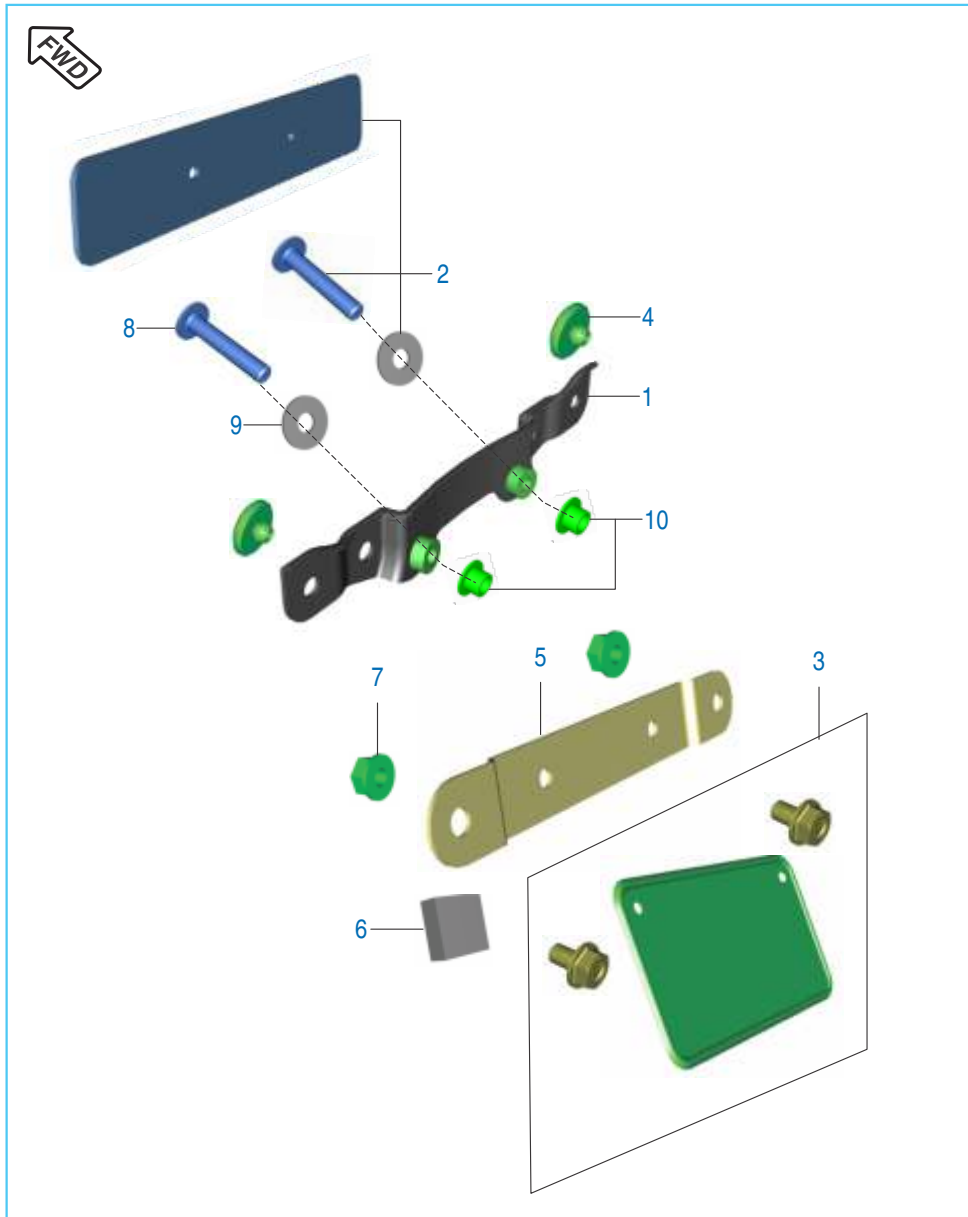
No.	Part No.	Description	Qty.		Remarks
			V15	V12	
1	PA 4016 00	Horn	1	1	
2	KA DD08 12	Bolt Flange	1	1	
3	JN 3516 04	Starter Relay with Grommet	1	1	
4	JF 4018 03	Battery 4AH VRLA Wet (K11)	1	1	Not Supplied in Spare
5	JH 4018 00	Band Battery	1	1	
	JV 4018 02	Band Battery	1	1	For BS IV Model
6	JZ 4018 09	Foam For Battery Base	1	1	
7	JH 4022 00	Wiring Harness	1	--	
	JH 4022 07	Wiring Harness	--	1	
	JH 4022 11	Wiring Harness	1	--	AHO Model
	JH 4022 27	Wiring Harness	--	1	AHO Model
8	JZ 4022 18	Tie Band	4	4	
9	60 1114 15	Clip	4	--	
10	DJ 2012 19	Fuse Box Assembly	1	1	
11	60 1115 34	Fuse 15A	2	2	
12	JD 4022 17	Tie Band	9	9	
13	DS 2010 25	Flasher	1	1	
13A	DT 4020 06	Light Control Module	1	--	AHO Model
13B	JL 4020 04	Light Control Module	--	1	AHO Model
14	DS 1910 07	Spring Brake Switch	1	1	
15	JL 4014 06	Rear Brake Switch	1	1	
16	JH 4022 01	Cable Assembly (Battery to Earth)	1	1	
17	JH 4022 02	Cable Assly. (Motor to Starter Relay)	1	1	
18	DL 1910 20	Bulb Number Plate Lamp	1	1	
19A	YJ H010 08	Tail Lamp without Bezel - V15	1	1	
19B	YJ H010 09	Bezel Tail Lamp - V15	1	1	
20	KA DF06 10	Bolt Flanged	1	2	
21	JH 1710 47	Cable Tie Fixed Length	1	1	For BS IV Model
22	JH 1138 02	Clamp For Pipe	1	1	For BS IV Model
23	KA DF06 08	Bolt Flanged	1	1	For BS IV Model
24	GF 1611 31	Foam Strip	7	7	
25	60 1114 20	Cable Tie Lock	4	4	

Chain Case Kit & Tool Kit



No.	Part No.	Description	Qty.		Remarks
			V15	V12	
1	36 JH00 02	Chain Case Upper + lower	1	1	Refer Kit Details
2	LA D000 53	Bolt	6	6	
3	15 1610 69	Rubber Cap	1	1	
4	DJ 2210 19	Tool Kit	1	1	
5	JZ 1813 38	Beading Chain Case	1	1	
6	DK 2210 24	Band Tool Kit	2	2	

Front & Rear Number Plate



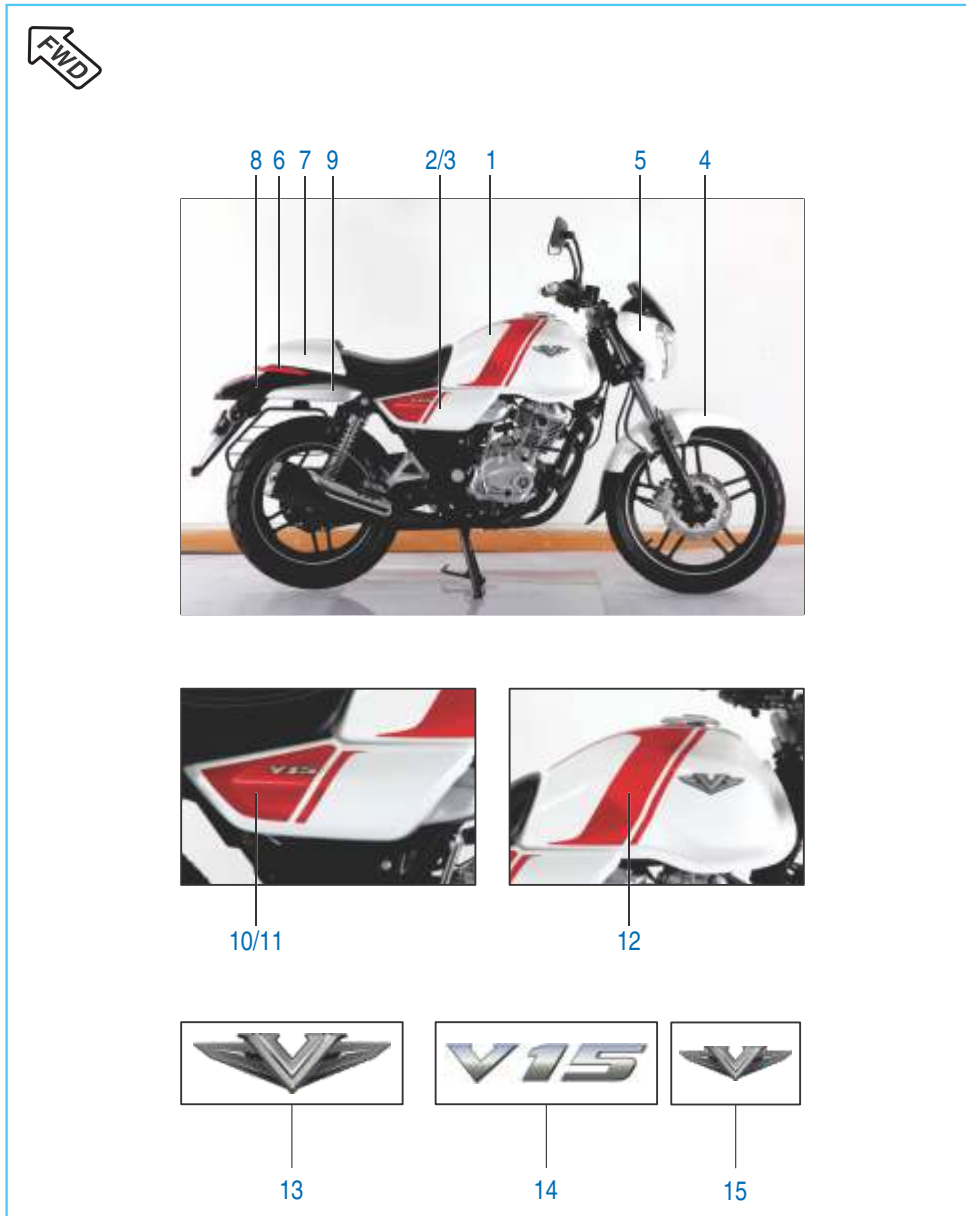
No.	Part No.	Description	Qty.		Remarks
			V15	V12	
1	JH 2328 00	Bracket Front Number Plate	1	--	
	JH 2328 09	Bkt. Number Plate Mounting Front	1	1	For BS IV Model
2	36 DT00 53	Kit Front Number Plate	1	1	Refer Kit Details
3	36 JL00 89	Kit Rear Number Plate	1	1	Refer Kit Details
4	JZ 2328 14	Pad	2	2	
5	DJ 1610 72	Bracket Rear Number Plate	1	1	
6	JZ 2328 05	Foam Rear Number Plate	1	1	
7	LC G000 08	Nut	2	2	
8	KB UC05 25	Screw Truss	2	2	For Front No. Plate
9	39 1501 11	Washer Plain	2	2	For Front No. Plate
10	JH 1812 63	Collar For Windshield Mtg	2	2	

Painted Parts and Decals - V15



No.	Part No.	Description	Qty.		Remarks
			V15	V12	
1	52 JH00 73	Fuel Tank Ebony Black With Decal	1	--	
	52 JH00 75	Fuel Tank Cocktail Wine Red	1	--	
	52 JH03 66	Fuel Tank Dark Montego Blue WH Decal	1	--	
	52 JH02 86	Fuel Tank Pearl White With Decal	1	--	BS IV
	52 JH02 85	Fuel Tank Ebony Black With Decal	1	--	BS IV
	52 JH02 87	Fuel Tank Cocktail Wine Red	1	--	BS IV
	52 JH04 46	Fuel Tank Dark Montego Blue WH Decal	1	--	BS IV
2	52 JH00 67	Side Cover LH Ebony Black With Decal	1	--	
	52 JH00 82	Side Cover LH Pearl White With Decal	1	--	
	52 JH00 69	Side Cover LH Cocktail Wine Red	1	--	
	52 JH03 59	Side Cover LH Dark Montego Blue Decal	1	--	
3	52 JH00 64	Side Cover RH Ebony Black With Decal	1	--	
	52 JH00 81	Side Cover RH Pearl White With Decal	1	--	
	52 JH00 60	Side Cover RH Cocktail Wine Red	1	--	
	52 JH03 61	Side Cover RH Dark Montego Blue	1	--	
4	56 JH05 7A	Painted Part Front Fender Pearl White	1	--	
	56 JH05 X3	Painted Part Front Fender Ebony Black	1	--	
	56 JH05 2V	Painted Part Front Fender Wine Red	1	--	
	56 JH05 7M	Painted Front Fender Dark Montego Blue	1	--	
5	56 JH04 7A	Painted Part Fairing Pearl White	1	--	
	56 JH04 X3	Painted Part Fairing Ebony Black	1	--	
	56 JH04 2V	Painted Part Fairing Assembly C W Red	1	--	
	56 JH04 7M	Painted Fairing Assly. Dark Montego Blue	1	--	
6	JH 2314 09	Primary Grab Handle Black	1	--	
	56 JH70 6S	Primary Grab Handle Red	1	--	
	56 JH70 1W	Primary Grab Handle White	1	--	

Painted Parts and Decals - V15



No.	Part No.	Description	Qty.		Remarks
			V15	V12	
7	52 JH00 86	Cover Seat Pillion Pearl White	1	--	
	52 JH00 32	Cover Seat Pillion Ebony Black	1	--	
	52 JH00 59	Cover Seat Pillion Cocktail Wine Red	1	--	
	52 JH03 64	Cover Seat Pillion Dark Montego Blue	1	--	
8	56 JH45 X3	Painted Part Seat Cowl Ebony Black	1	--	
	56 JH45 7M	Assly Seat Cowl Dark Mont Blue	1	--	1D - 4UP Model
	56 JH45 2V	Painted Seatcowl C W Red	1	--	1D - 4UP Model
9	JH 1812 20	Painted Part Cover Seat Cowl LH	1	--	
	JH 1812 21	Painted Part Cover Seat Cowl RH	1	--	
	56 JH11 4X	Cover Seat Cowl LH Satin Black	1	--	1D - 4UP Model
	56 JH10 4X	Cover Seat Cowl LH Satin Black	1	--	1D - 4UP Model
10	JH 2330 25	Decal Side Cover LH - White	1	--	
	JH 2330 26	Decal Side Cover RH - White	1	--	
	JH 2330 33	Decal Side Cover RH	1	--	
	JH 2330 57	Decal Side RH	1	--	
11	JH 2330 15	Decal Side Cover LH - Black	1	--	
	JH 2330 16	Decal Side Cover RH - Black	1	--	
	JH 2330 32	Decal Side Cover LH	1	--	
	JH 2330 56	Decal Side LH	1	--	
12	JH 2330 21	Decal Kit Tank - White	1	--	
	JH 2330 14	Decal Kit Tank - Black	1	--	
	JH 2330 28	Decal Tank Kit Cocktail Wine Red	1	--	
	JH 2330 52	Decal Kit Tank Montego Blue	1	--	
13	JH 2330 18	Decal 3D - Tank	2	--	
14	JH 2330 19	Decal 3D - Side Cover	2	--	
	JH 2330 58	Decal Side Cover 3D	2	--	
15	JH 2330 20	Decal - Pillion Seat Cover	1	--	

Painted Parts and Decals - V15 UG



No.	Part No.	Description	Qty.		Remarks
			V15	V12	
1	52 JH07 77	Fuel Tank Ebony Black With Decal	1	--	
	52 JH08 03	Fuel Tank Cocktail Wine Red	1	--	
	52 JH08 06	Fuel Tank Dark Montego Blue WH Decal	1	--	
2	52 JH07 74	Side Cover LH Ebony Black With Decal	1	--	
	52 JH07 97	Side Cover LH Cocktail Wine Red	1	--	
	52 JH08 00	Side Cover LH Dark Montego Blue Decal	1	--	
3	52 JH07 75	Side Cover RH Ebony Black With Decal	1	--	
	52 JH07 98	Side Cover RH Cocktail Wine Red	1	--	
	52 JH08 01	Side Cover RH Dark Montego Blue	1	--	
4	56 JH05 X3	Painted Part Front Fender Ebony Black	1	--	
	56 JH05 2V	Painted Part Front Fender Wine Red	1	--	
	56 JH05 7M	Painted Front Fender Dark Montego Blue	1	--	
5	56 JH04 X3	Painted Part Fairing Ebony Black	1	--	
	56 JH04 2V	Painted Part Fairing Assembly C W Red	1	--	
	56 JH04 7M	Painted Fairing Assly. Dark Montego Blue	1	--	
6	JH 2314 09	Primary Grab Handle Black	1	--	
	56 JH70 6S	Primary Grab Handle Red	1	--	
7	52 JH00 32	Cover Seat Pillion Ebony Black	1	--	
	52 JH00 59	Cover Seat Pillion Cocktail Wine Red	1	--	
	52 JH03 64	Cover Seat Pillion Dark Montego Blue	1	--	
8	56 JH45 X3	Painted Part Seat Cowl Ebony Black	1	--	
	56 JH45 7M	Assly Seat Cowl Dark Mont Blue	1	--	
	56 JH45 2V	Painted Seat cowl C W Red	1	--	
9	56 JH11 4X	Cover Seat Cowl LH Satin Black	1	--	
	56 JH10 4X	Cover Seat Cowl RH Satin Black	1	--	

Painted Parts and Decals - V15 UG



No.	Part No.	Description	Qty.		Remarks
			V15	V12	
10	JH 2330 96	Decal Side Cover LH - E Black	1	--	
	JH 2331 05	Decal Side Cover LH - Red	1	--	
	JH 2331 09	Decal Side Cover LH Blue	1	--	
11	JH 2330 97	Decal Side Cover RH - E Black	1	--	
	JH 2331 06	Decal Side Cover RH - Black	1	--	
	JH 2331 10	Decal Side Cover RH Blue	1	--	
12	36 JH00 70	Decal Kit Tank - E Black	1	--	
	36 JH00 78	Decal Kit Tank - Cocktail Wine Red	1	--	
	36 JH00 79	Decal Kit Tank Montego Blue	1	--	
13	JH 2330 18	Decal 3D - Tank	2	--	
14	JH 2330 51	Decal 3D - Side Cover- C W Red	2	--	
	JH 2331 18	Decal 3D - Side Cover- Ebony Black	2	--	
	JH 2330 19	Decal 3D - Side Cover- Montego Blue	2	--	
15	JH 2330 20	Decal - Pillion Seat Cover	1	--	
16	JH 2330 59	Wheel Decals	4	--	

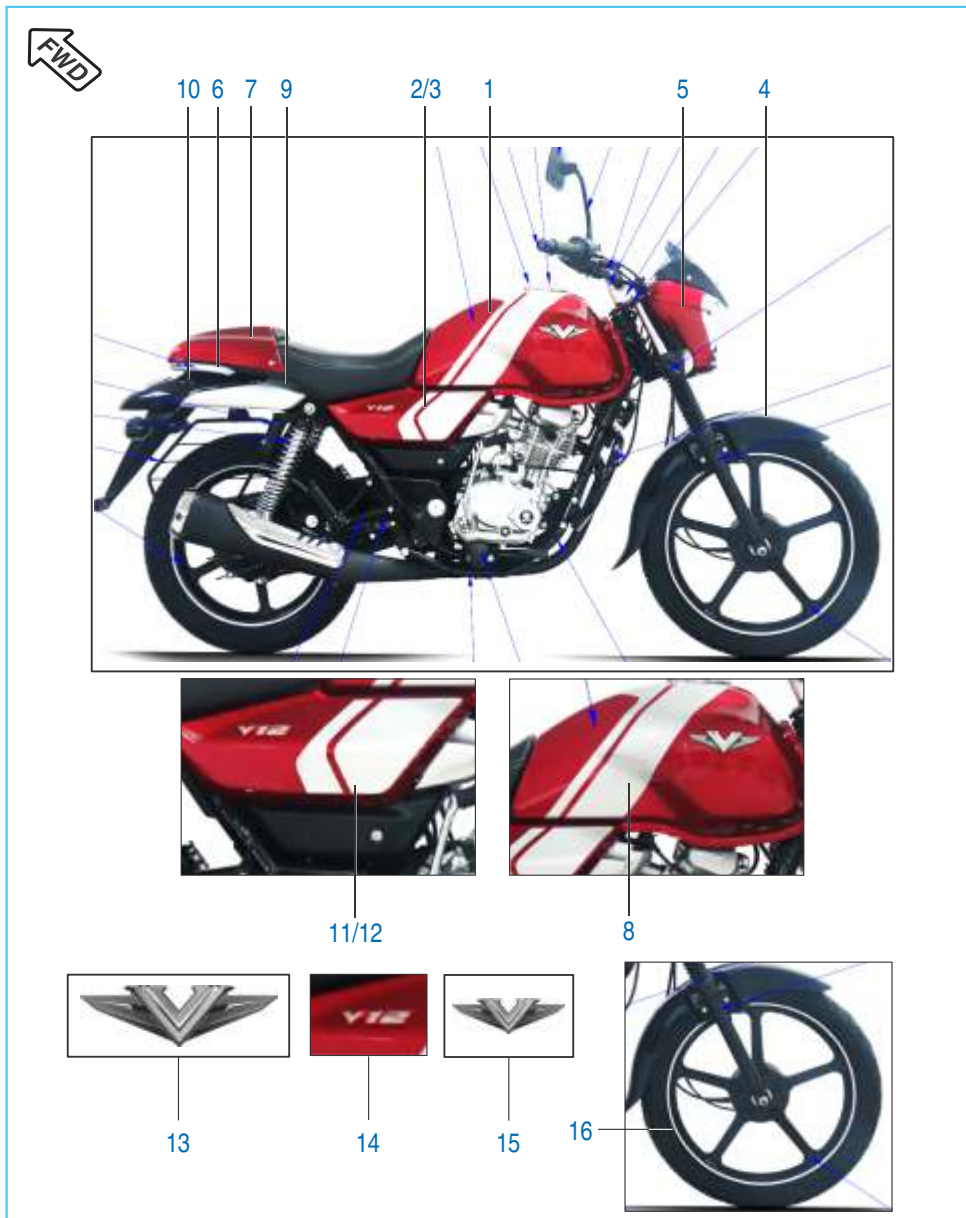


Plate No.: 53

Brand ID: 001MC680 (V15)

Brand ID: 001MC706 (V12)

Painted Parts and Decals - V12



No.	Part No.	Description	Qty.		Remarks
			V15	V12	
1	52 JH04 25	Fuel Tank Flame Red Wh Decal	--	1	
	52 JH04 27	Fuel Tank Saffire Blue With Decal	--	1	
	52 JH04 26	Fuel Tank Ebony Black With Decal	--	1	
2	52 JH04 10	Side Cover LH Flame Red With Decal	--	1	
	52 JH04 12	Side Cover LH Saffire Blue Th Decal	--	1	
	52 JH04 11	Side Cover LH Ebony Black Wh Decal	--	1	
3	52 JH04 13	Side Cover RH Flame Red With Decal	--	1	
	52 JH04 14	Side Cover RH Ebony Black Wh Decal	--	1	
	52 JH04 15	Side Cover RH Saffire Blu Wh Decal	--	1	
4	56 JH05 X3	Painted Part Front Fender Ebony Black	--	1	
5	56 JH04 3F	Fairing Asly Flm Red	--	1	
	56 JH04 5N	Fairing Asly Saff Blue	--	1	
	56 JH04 X3	Fairing Asly Eb Black	--	1	
6	56 JH70 43	Primary Grab Handle Orange	--	1	
	56 JH70 6E	Primary Grab Handle Silver	--	1	
	56 JH5W 36	Grab With Backrest Mat Slik Blk	--	1	1D - 4UP Model
7	52 JH04 48	Cover Seat Pillion Flame Red	--	1	
	52 JH04 49	Cover Seat Pillion Saffire Blue	--	1	
	52 JH00 32	Cover Seat Pillion Ebony Black	--	1	
8	JH 2330 60	Kit Decal Tank Flame Red	--	1	
	JH 2330 67	Kit Decal Tank Ebony Black	--	1	
	JH 2330 74	Kit Decal Tank Saf Blue	--	1	
9	JH 1812 20	Painted Part Cover Seat Cowl LH	--	1	
	JH 1812 21	Painted Part Cover Seat Cowl RH	--	1	
	56 JH11 4X	Cover Seat Cowl LH Satin Black	1	--	1D - 4UP Model
	56 JH10 4X	Cover Seat Cowl RH Satin Black	1	--	1D - 4UP Model



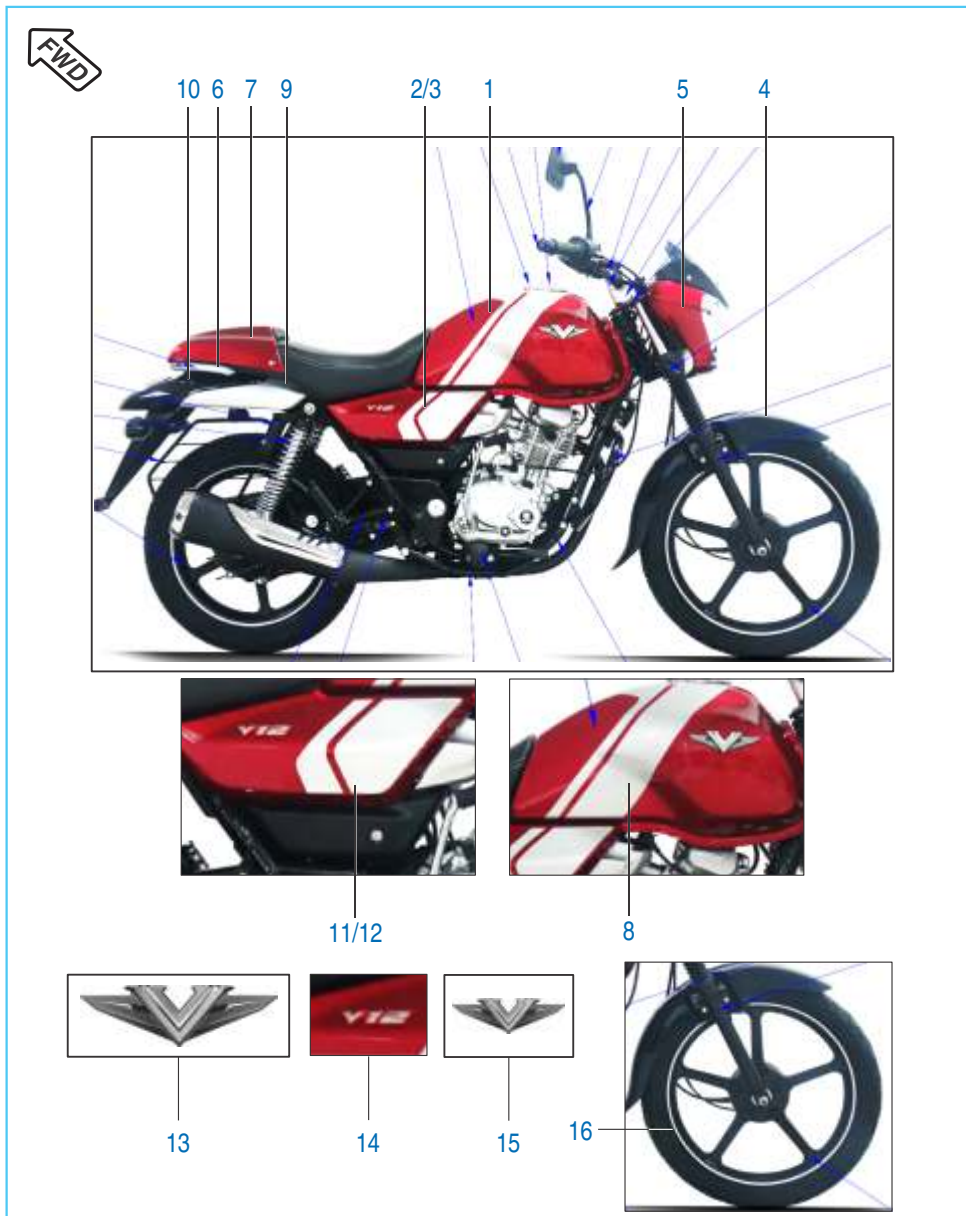


Plate No.: 53

Brand ID: 001MC680 (V15)

Brand ID: 001MC706 (V12)

Painted Parts and Decals - V12



No.	Part No.	Description	Qty.		Remarks
			V15	V12	
10	56 JH45 X3	Painted Part Seat Cowl Ebony Black	--	1	
	56 JH45 7M	Assly Seat Cowl Dark Mont Blue	--	1	1D - 4UP Model
	56 JH45 3F	Painted Seatcowl Flm Red	--	1	1D - 4UP Model
	56 JH45 5N	Painted Seat Cowl Saffire Blue	--	1	1D - 4UP Model
11	JH 2330 64	Decal Cover Side LH Flame Red	--	1	
	JH 2330 71	Decal Cover Side LH Eb Black	--	1	
	JH 2330 78	Decal Cover Side LH Saf Blue	--	1	
12	JH 2330 65	Decal Cover Side RH Flame Red	--	1	
	JH 2330 72	Decal Cover Side RH Eb Black	--	1	
	JH 2330 79	Decal Cover Side RH Saf Blue	--	1	
13	JH 2330 18	Tank 3D Decal	--	2	
14	JH 2330 66	Decal 3D Cover Side Flame Red	--	2	
	JH 2330 73	Decal 3D Cover Side Eb Black	--	2	
	JH 2330 80	Decal 3D Cover Side Saf Blue	--	2	
15	JH 2330 34	Deal Pillion Seat Cover	--	1	
16	JH 2330 59	Decal Wheel	--	4	



Consumable Parts



No.	Part No.	Description	Supply Unit	Application
1	36 0010 61 83 0204 11 83 0203 34	Bajaj Genuine Oil 10W50 Bajaj Genuine Oil 10W30 Bajaj Genuine Oil 20W50 (BGO to be ordered to HPCL)	1.5 Ltr. 1 Ltr. 1 Ltr.	Dominar 400 100cc Models 125cc and above models
2	36 0010 58	Bajaj Coolant Koolex	1 Ltr.	Coolant Top-up/Replace
3	36 DH40 61 83 0203 25	Brake Fluid DOT4 Brake Fluid DOT3	100 ml 100 ml	Disc Brake Top-up/Replace Disc Brake Top-up/Replace
4	36 0010 52	Silicon grease	3 gm	Caliper Pin
5	83 0204 73 83 0203 68	Grease Petamo GHY 441 Grease Molycoat	3 gm 200 gm	Water Pump Seals For Starter Clutch Lubrication
6	36 0010 52	HP Lithon RR Grease	10 gm	Steering Race
7	83 0201 73	Multi Purpose Grease (Local Purchase)	--	Lubrication of Clutch Lever, Brake Lever, Brake Pedal & Side Stand
8	36 0010 55	Chain Lubricant HP Make	1 kg	Non - Sealed Chain Lubrication
9	36 0010 62	Liquid gasket L5910	50 ml	Crankcase Joining
10	36 3140 04	Fork oil	160 ml	Front Fork Top-up/Replace
11	36 DH40 29	Kit Spray Chain Lub	100 ml	Sealed Drive Chain
12	36 DH40 71	Wonderfill Chain Spray	100 ml	Sealed Drive Chain

Consumable Parts

<p>13</p> 	<p>14</p> 	<p>15</p> 
<p>16</p> 	<p>17</p> 	<p>18</p> 
<p>19</p> 	<p>20</p> 	<p>21</p> 
<p>22</p> 	<p>23</p> 	<p>24</p> 

No.	Part No.	Description	Supply Unit	Application
13	36 DH40 72	Rust Remover Spray Make - Zorric 88 & Wonder fill easiner	100 ml	For Removing Rust from Components
14	76 0109 36	Loctite Thread locker 243	50 ml	For Screws & Bolts
15	76 0109 37	Loctite retaining compound 638	50 ml	For Screws & Bolts
16	37 0043 52	Touch up paint slate grey	440 ml	Touch up of Frame, Swing Arm & Step Holder
17	37 0043 53	Touch up paint Matte Silk black	440 ml	Touch up of Grab Handle, Handle Bar & Handle Holder
18	36 0010 60	Kibatsu touch up paint	400 cc	Touch up of Cylinder head, Block & Alloy Wheels
19	37 2240 18	Paint Bottle Schwartz Black	--	P-200NS Frame Touch-up
20	75 6802 36 NA	Petroleum Jelly (Local Purchase) Distilled Water (Local Purchase)	-- 1 Ltr.	For Battery Terminals For Battery Level Top-up
21	NA	SAE 90 oil (Local Purchase)	-	
22	62 3050 84	WD40 Spray (Local Purchase)	400 ml	Electrical Contact Cleaning Spray
23	36 0010 56	Carburetor Cleaning Spray		For Cleaning Carburetor
24	37 2540 39	Corrosion Protection Spray Proto quick LTP902 (To be ordered on Vendor)	--	For Preventing vehicle parts from rusting

Kit List



Sr No	Kit Part No.	Kit Description	Consisting of Following Parts		
			Part No.	Description	Qty/Kit
1	36JH0002	CHAIN CASE UPPER + LOWER	JH181200	ASSEMBLY CHAIN CASE UPPER	1
			JH181203	ASSEMBLY CHAIN CASE LOWER	1
2	36JH0003	BLOCK & PISTON	JH521004	CYLINDER BLOCK C101_ALUMINIUM	1
			JH521200	ASSEMBLY PISTON C101	1
3	36JH0004	FRICITION PLATE	JH551402	PLATE FRICTION C101	5
4	36JH0005	CHAIN GUIDE	JE521025	GUIDE TIGHT SIDE SILENT CHAIN D106A	1
			JE541037	GUIDE SLACK SIDE SILENT CHAIN D106A	1
5	36JH0006	CHAIN SPROCKET	JH551201	SPROCKET OUTPUT C101	1
			DX151023	SPROCKET 42 T 4 RUBBER	1
			PA141016	CHAIN 428 H SERIES 124 LINKS	1
6	36JH0052	KIT ASSLY CLUTCH COVER - V12	JH541201	COVER CLUTCH C101	1
			JL541227	WINDOW OIL GUAGE	1
			DS101215	CLIP WIRE	1
			30101142	SEAL OIL	1
			31101064	PLUG	1
			BA102004	PLUG	1
7	36JH0008	VALVE REPAIR	28101129	SEAT SPRING	1
			39201719	SEAL VALVE STEM	1
			JZ511202	SPRING VALVE	1
			JA511203	RETAINER VALVE SPRING	1
			DG101029	COTTER VALVE	2
8	36JH0009	BOSS KICK SET	JA621202	LEVER KICK	1
			PA621202	BOSS KICK LEVER D105A UG	1
			30101234	SPRING	1
			30101236	BALL STEEL	1
			22150241	WASHER - PLAIN	1
			30101235	PIN	1
			39085517	E-TYPE CIRCLIP	1
			9	36JH0010	PRIMARY DRIVE & DRIVEN GEAR
JZ551403	CLUTCH HSG ASSLY HTTS DISCO-H	1			
10	36JH0011	FORK CYLINDER COMP	JH121015	SEAT PIPE	1
			DG181017	RING-FORK PISTON	1

Kit List



Sr No	Kit Part No.	Kit Description	Consisting of Following Parts		
			Part No.	Description	Qty/Kit
			JH121049	CAP OIL LOCK	1
			DG181019	SPRING-REBOUND	1
11	36JH0012	CARB O RINGS&GASKET	DP121059	O RING FLOAT CHAMBER	1
			Je581209	O RING	1
			Dh121130	O RING	1
			DH121148	O RING	1
			-- ---- --	O RING	1
12	36JH0013	CARB JETS	-- ---- --	NEEDLE JET	1
			Jz581219	JET HOLDER	1
			-- ---- --	MAIN JET	1
			-- ---- --	PILOT JET	1
13	36JH0014	CARB THROTTLE VALVE	-- ---- --	DIAPHRAGM	1
			-- ---- --	PISTON VALVE ASSLY	1
			-- ---- --	SPRING	1
			-- ---- --	HOLDER	1
			-- ---- --	SPRING	1
			-- ---- --	E RING	1
			-- ---- --	WASHER	1
-- ---- --	JET NEEDLE	1			
14	36JH0015	CARB FLOAT CHAMBER BODY	-- ---- --	SCREW	3
			-- ---- --	O RING	1
			-- ---- --	DRAIN SCREW	1
			-- ---- --	O RING	1
			-- ---- --	FLOAT BODY	1
15	36JH0016	CARB IDLING SCREW	-- ---- --	PILOT SCREW	1
			-- ---- --	SPRING	1
			-- ---- --	WASHER	1
			-- ---- --	O RING	1
			-- ---- --	O RING	1
16	36JH0017	CARB TOP CAP	-- ---- --	DIAPHRAGM COVER	1
			-- ---- --	SCREW	2
17	36JH0018	CARB PLUNGER ASSLY	-- ---- --	O RING	1
			-- ---- --	DUST CAP	1
			-- ---- --	PLUNGER ASSLY	1
			-- ---- --	GUIDE HOLDER	1
			-- ---- --	O RING	1

Kit List



Sr No	Kit Part No.	Kit Description	Consisting of Following Parts		
			Part No.	Description	Qty/Kit
18	36JH0001	PISTON RINGS	JH521203	PISTON RING TOP C101	1
			JH521204	PISTON RING SECOND C101	1
			JH521205	PISTON RING OIL C101	1
19	36JH0021	KIT ASSLY C'CASE LH	39218919	OIL SEAL	1
			39256220	NEEDLE ROLLER BRG.	1
			JH541001	CRANKCASE LH C101	1
			JA541005	BUSH BENDIX	1
			39219019	OIL SEAL	1
			JZ541005	NOZZLE OIL JET	1
			20	36JH0022	KIT ASSLY C'CASE RH
PF541018	BUSHING DRUM BM150 4 SPD	1			
31101064	PLUG	1			
21	36JH0023	CYL HEAD COVER WITH NIPPLE	JH511001	CYLINDER HEAD MACHINED	1
			Jh511012	CYLINDER HEAD COVER C101	1
			Jh511014	NIPPLE BREATHER HEAD COVER C101	1
22	JH232602	ASSEMBLY LOCK SET - NON EVAP	JZ401400	IGNITION SWITCH 2 PT. MOUNTING	1
			JH232600	KEY SET	1
			JH171033	CAP FUEL TANK	1
			DH161231	LOCK SIDE COVER	1
23	JH541202	ASSEMBLY MAGNETO COVER	JH541203	MAGNETO COVER C101	1
			Ja541005	BUSH BENDIX	1
			Ja541233	CAP TDC FINDER	1
			30101195	RING - O	1
24	36JH0019	VALVE INTAKE & EXHAUST	JH511202	VALVE INTAKE	1
			JH511203	VALVE EXHAUST	1
25	36PA0143	KIT STEERING CONE-DIS 100 M	JZ151090	BEARING CONE	1
			DH181026	BEARING RACE	2
			DH181025	BEARING CONE	1
			36001052	GREASE LETHON RR3 -10GM	1
			36314002	KIT BALL STEEL STEERING	1
26	36DT0053	KIT FR.NUMBER PLATE	Ju232800	NUMBER PLATE FRONT	1
			LBU00009	SCREW MUSHROOM HEAD	2
			39214124	WASHER NYLON 5.3X11.5X1.5	2

Kit List



Sr No	Kit Part No.	Kit Description	Consisting of Following Parts		
			Part No.	Description	Qty/Kit
27	36JL0089	KIT RR.NUMBER PLATE	Dp161145	PLATE -NO.:RR-SAME AS SECURITY PL	1
			KADD0610	BOLT-FLANGE-KAD ST-D DIA-06 L-10	2
28	36JH0025	Kit Engine Gasket-V15	JH511016	GASKET CYLINDER HEAD C101	1
			CS101128	GASKET	1
			JH521001	GASKET CYLINDER BLOCK C101	1
			JH541015	GASKET CRANKCASE C101	1
			Ja541016	GASKET CASE OIL PUMP	1
			PF541240	GASKET MAGNETO COVER B104D	1
			JA541212	GASKET CLUTCH COVER	1
			36001050	KIT 5 ml Loctite 243 Tube	1
			36001051	KIT LOCTITE 5702 10 gm	1
			29	36JH0027KIT	CYL HEAD + COVER V12
JH511030	CYLINDER HEAD MACHINED C101B	1			
CB101220	PLUG	1			
KJAC1824	O RING	1			
39166005	STUD-M8	2			
30	36JH0028	KIT VALVE V12	DY511200	VALVE INTAKE B105A	1
			DY511201	VALVE EXHAUST B105A	1
31	36JH0029	KIT VALVE REPAIR V12	28101129	SEAT SPRING	2
			CB101009	SEAL VALVE STEM	2
			JZ511202	SPRING VALVE	2
			DY511202	RETAINER VALVE B105A	2
			CB101022	COTTER VALVE	4
32	36JH0030	KIT BLOCK PISTON V12	JH521002	CYLINDER BLOCK C101B	1
			JH521207	ASSEMBLY PISTON C101B	1
33	36JH0031	KIT CYL FORK	JH121055	SEAT PIPE	1
			30181020	PISTON RING	1
			JH121049	CAP OIL LOCK	1
			DM181008	REBOUND SPRING	1
34	36JH0032	KIT PISTON RINGS	PA521225	RING PISTON TOP D105D	1
			PA521226	RING PISTON SECOND D105D	1
			PA521227	RING PISTON OIL D105D	1

Kit List



Sr No	Kit Part No.	Kit Description	Consisting of Following Parts		
			Part No.	Description	Qty/Kit
35	36JH0053	Kit Assly Clutch Cover - V15	JH541201	COVER CLUTCH C101	1
			JL541227	WINDOW OIL GUAGE	1
			DS101215	CLIP - WIRE	1
			30101142	SEAL - OIL	1
			31101064	PLUG	1
			BA102004	PLUG	1
			JE541245	JET CLUTCH COVER K11	1
36	36JH0071	Kit saree guard + grab + fitting	JH 2314 10	Grab handle front	1
			JH 2312 23	Saree guard RH	1
			KA DD08 50	Bolt flanged	1
			KA DD10 55	Bolt flanged	1

Kit List



Sr No	Kit Part No.	Kit Description	Consisting of Following Parts		
			Part No.	Description	Qty/Kit

Parts Index



THE INVINCIBLE

Part Number	Figure No.	Page No.	Part Number	Figure No.	Page No.
01 1701 22	23	72	31 1011 73	4	14
14 1510 33	15	30	31 1811 08	7	84
15 1610 69	3	108	31 2010 01	3	104
15 1910 26	12	74	31 2010 81	4	24
22 1502 41	14	40	36 0010 52	4	124
30 1010 61	21	16	36 0010 52	6	124
30 1010 96	3	30	36 0010 55	8	124
30 1011 42	7	26	36 0010 56	23	126
30 1011 95	5	28	36 0010 58	2	124
30 1410 31	12	58	36 0010 60	18	126
30 1510 32	19	68	36 0010 61	1	124
30 1510 33	7	66	36 0010 62	9	124
30 1510 33	20	68	36 3015 09	12	68
30 1510 38	4	68	36 3140 04	10	124
30 1510 69	10	68	36 DH19 02	4	76
30 1510 69	16	70	36 DH40 29	11	124
30 1510 75	18	70	36 DH40 61	3	124
30 1510 95	22	74	36 DH40 71	12	124
30 1511 05	9	68	36 DH40 72	13	126
30 1511 05	3	70	36 DJ40 32	11	78
30 1511 18	15	68	36 DJ40 33	12	78
30 1611 57	2	62	36 DT00 53	2	110
30 1810 26	5	84	36 JE00 24	16	30
30 1810 29	17	86	36 JF00 15	12	78
30 1910 35	11	74	36 JF00 16	11	78
30 1910 36	13	74	36 JF00 22	9	34
31 1010 06	8	2	36 JF00 24	6	34
31 1010 64	6	26	36 JH00 01	4	12

Parts Index



THE INVINCIBLE

Part Number	Figure No.	Page No.	Part Number	Figure No.	Page No.
36 JH00 02	1	108	36 JH00 39	10	38
36 JH00 03	5	12	36 JH00 40	16	38
36 JH00 04	16	30	36 JH00 42	14	38
36 JH00 06	10	70	36 JH00 43	11	38
36 JH00 08	6	8	36 JH00 44	12	38
36 JH00 09	11	40	36 JH00 45	13	38
36 JH00 11	14	84	36 JH00 46	2	24
36 JH00 12	2	34	36 JH00 52	1	26
36 JH00 12	2	36	36 JH00 53	1	26
36 JH00 12	9	38	36 JH00 57	16	30
36 JH00 13	3	34	36 JH00 70	12	118
36 JH00 14	4	34	36 JH00 71	15	98
36 JH00 15	5	34	36 JH00 72	4	36
36 JH00 15	5	36	36 JH00 73	6	36
36 JH00 17	7	34	36 JH00 74	9	36
36 JH00 18	8	34	36 JH00 75	3	36
36 JH00 19	1	8	36 JH00 76	7	36
36 JH00 21	1	24	36 JH00 77	8	36
36 JH00 22	2	22	36 JH00 78	12	118
36 JH00 23	1	2	36 JH00 79	12	118
36 JH00 25	2	24	36 JH00 81	14	44
36 JH00 27	1A	2	36 JL00 89	3	110
36 JH00 28	1	8	36 JZ00 03	8	14
36 JH00 29	6	8	36 JZ00 03	4	30
36 JH00 30	5	12	36 JZ00 23	8	14
36 JH00 31	14	84	36 JZ00 23	4	30
36 JH00 32	4	12	36 JZ01 22	9	10
36 JH00 33	16	30	36 JZ02 09	6	84

Parts Index



Part Number	Figure No.	Page No.
36 PA01 15	9	10
36 PA01 44	4	52
36 PA01 44	18	86
36 PD00 36	11	76
36 PD00 43	5	78
36 PD00 82	6	84
36 PF00 88	8	14
37 0043 52	16	126
37 0043 53	17	126
37 2240 18	19	126
37 2540 39	24	126
39 0198 11	14	74
39 0240 11	12	30
39 0242 11	11	68
39 0258 11	4	92
39 0292 15	7	56
39 0296 15	8	98
39 0422 15	11	62
39 0422 15	7	80
39 0454 11	9	56
39 0553 02	10	56
39 0594 17	3	10
39 0694 15	19	74
39 0714 11	18	56
39 0738 17	3	40
39 0740 11	10	88
39 0781 11	9	66
39 0789 12	18	74

Part Number	Figure No.	Page No.
39 0789 12	20	86
39 0801 15	15	70
39 0807 08	20	74
39 0980 04	7	30
39 0987 17	6	16
39 0992 06	4	18
39 0993 11	6	40
39 0999 06	20	4
39 0999 06	18	26
39 0999 06	2	28
39 0999 06	4	32
39 1000 06	20	4
39 1000 06	2	12
39 1000 06	10	24
39 1001 20	15	30
39 1013 21	13	68
39 1020 21	7	2
39 1041 19	14	26
39 1053 15	12	56
39 1075 04	2	60
39 1181 01	21	86
39 1225 15	11	54
39 1283 21	13	2
39 1501 11	9	110
39 1540 11	17	74
39 1553 04	7	30
39 1612 11	6	2
39 1660 05	21	4

Parts Index



Part Number	Figure No.	Page No.
39 1671 21	11	26
39 1673 04	9	2
39 1673 04	15	10
39 1673 04	13	26
39 1674 04	17	4
39 1674 04	2	50
39 1680 04	4	74
39 1740 04	11	22
39 1789 24	15	96
39 19 5604	16	88
39 1964 04	10	22
39 1970 15	3	54
39 2141 24	13	100
39 2166 11	11	16
39 2179 24	9	88
39 2189 19	5	24
39 2190 19	6	24
39 2200 11	13	30
39 2295 15	9	42
39 2366 15	15	56
39 2408 17	8	40
39 2424 11	17	88
39 2425 11	11	42
39 2440 11	8	8
39 2443 11	15	26
39 2484 15	6	88
39 2492 11	6	42
39 2539 21	15	2

Part Number	Figure No.	Page No.
39 2562 20	8	24
39 2566 11	20	70
39 2567 11	29	72
39 2582 04	10	80
39 2583 20	7	24
39 2600 11	11	30
39 2608 01	11	2
39 2629 21	12	2
39 2669 21	13	10
39 2726 12	16	56
52 JA00 28	14	30
52 JA00 29	3	22
52 JH00 18	1	58
52 JH00 19	3	58
52 JH00 22	1	74
52 JH00 32	7	114
52 JH00 32	7	116
52 JH00 32	7	120
52 JH00 59	7	114
52 JH00 59	7	116
52 JH00 60	3	112
52 JH00 64	3	112
52 JH00 67	2	112
52 JH00 69	2	112
52 JH00 73	1	112
52 JH00 75	1	112
52 JH00 81	3	112
52 JH00 82	2	112

Parts Index



Part Number	Figure No.	Page No.
52 JH00 86	7	114
52 JH02 85	1	112
52 JH02 86	1	112
52 JH02 87	1	112
52 JH03 59	2	112
52 JH03 61	3	112
52 JH03 64	7	114
52 JH03 64	7	116
52 JH03 66	1	112
52 JH04 10	2	120
52 JH04 11	2	120
52 JH04 12	2	120
52 JH04 13	3	120
52 JH04 14	3	120
52 JH04 15	3	120
52 JH04 25	1	120
52 JH04 26	1	120
52 JH04 27	1	120
52 JH04 31	11	80
52 JH04 31	7	88
52 JH04 33	11	80
52 JH04 33	7	88
52 JH04 46	1	112
52 JH04 48	7	120
52 JH04 49	7	120
52 JH06 91	9A	98
52 JH07 74	2	116
52 JH07 75	3	116

Part Number	Figure No.	Page No.
52 JH07 77	1	116
52 JH07 97	2	116
52 JH07 98	3	116
52 JH08 00	2	116
52 JH08 01	3	116
52 JH08 03	1	116
52 JH08 06	1	116
52 JH55 05	8	2
52 JH55 06	22	4
52 JZ02 64	1	20
56 JH04 2V	5	112
56 JH04 2V	5	116
56 JH04 3F	5	120
56 JH04 5N	5	120
56 JH04 7A	5	112
56 JH04 7M	5	112
56 JH04 7M	5	116
56 JH04 X3	5	112
56 JH04 X3	5	116
56 JH04 X3	5	120
56 JH05 2V	4	112
56 JH05 2V	4	116
56 JH05 7A	4	112
56 JH05 7M	4	112
56 JH05 7M	4	116
56 JH05 X3	4	112
56 JH05 X3	4	116
56 JH05 X3	4	120

Parts Index



Part Number	Figure No.	Page No.
56 JH10 4X	9	114
56 JH10 4X	9	116
56 JH10 4X	9	120
56 JH11 4X	9	114
56 JH11 4X	9	116
56 JH11 4X	9	120
56 JH45 2V	8	114
56 JH45 2V	8	116
56 JH45 3F	10	122
56 JH45 5N	10	122
56 JH45 7M	8	114
56 JH45 7M	8	116
56 JH45 7M	10	122
56 JH45 X3	8	114
56 JH45 X3	8	116
56 JH45 X3	10	122
56 JH5W 36	6	120
56 JH70 1W	9	98
56 JH70 1W	6	112
56 JH70 43	9	98
56 JH70 43	6	120
56 JH70 6E	9	98
56 JH70 6E	6	120
56 JH70 6S	9	98
56 JH70 6S	6	112
56 JH70 6S	6	116
59 0400 06	27	82
59 0400 14	14	48

Part Number	Figure No.	Page No.
59 0400 38	12	22
59 0400 38	12	24
59 0400 38	19	26
59 0400 38	4	28
59 1500 03	4	66
59 1500 03	21	68
59 1500 14	2	14
59 2000 36	5	22
59 2100 23	16	24
60 1114 15	9	106
60 1114 20	25	106
60 1115 34	11	106
62 3050 84	22	126
75 6802 36	20	126
76 0109 36	14	126
76 0109 37	15	126
83 0201 73	7	124
83 0203 25	3	124
83 0203 34	1	124
83 0203 68	5	124
83 0204 11	1	124
83 0204 73	5	124
AP 1012 55	8	88
BF 5612 19	6	20
CB 1010 09	10	2
CB 1010 09	5	8
CB 1010 22	4	8
CF 1110 19	13	48

Parts Index



Part Number	Figure No.	Page No.
CL 2010 23	23	102
CM 2010 54	12	92
CS 1011 28	11	10
DD 1010 62	14	10
DD 1010 97	12	40
DD 1110 12	7	48
DD 1110 18	13	48
DD 1211 81	10	26
DD 1610 71	10	42
DD 1610 78	3	74
DD 1613 81	11	58
DD 1810 32	8	84
DD 1911 42	1	76
DD 2010 02	11	60
DE 1510 06	5	66
DE 1510 43	9	78
DE 1510 45	10	78
DE 1510 46	6	78
DE 1510 47	7	78
DE 1910 10	10	76
DE 1910 28	7	76
DE 1910 29	6	76
DE 1910 33	15	76
DF 1611 02	10	62
DG 1010 29	4	8
DG 1210 03	7	6
DG 1210 40	16	4
DG 1210 40	13	44

Part Number	Figure No.	Page No.
DG 1510 88	4	78
DG 1510 89	2	78
DG 1611 21	9	96
DG 1611 21	16	96
DG 1810 13	9	84
DG 1810 15	11	84
DG 1810 21	8	84
DG 1810 22	7	84
DG 1810 24	10	84
DG 1810 26	17	86
DG 1910 45	5	74
DH 1010 48	6	10
DH 1012 35	10	16
DH 1012 95	7	8
DH 1013 80	7	22
DH 1013 80	14	24
DH 1013 92	10	10
DH 1015 09	10	20
DH 1016 39	10	22
DH 1016 48	14	30
DH 1017 84	3	24
DH 1021 18	15	44
DH 1021 25	7	10
DH 1110 13	8	48
DH 1110 15	5	48
DH 1210 59	10	34
DH 1210 59	10	36
DH 1210 63	11	34

Parts Index



Part Number	Figure No.	Page No.
DH 1210 63	11	36
DH 1210 64	17	34
DH 1210 64	17	36
DH 1210 93	16	34
DH 1210 93	16	36
DH 1211 76	13	34
DH 1211 76	13	36
DH 1610 61	11	58
DH 1611 00	10	58
DH 1611 46	9	62
DH 1612 33	7	90
DH 1612 40	8	62
DH 1710 19	17	70
DH 1810 22	20	80
DH 1910 37	25	102
DJ 1010 64	8	42
DJ 1013 05	18	44
DJ 1013 05	9	60
DJ 1410 70	2	46
DJ 1510 34	19	70
DJ 1510 36	4	56
DJ 1510 37	5	56
DJ 1510 47	6	56
DJ 1610 69	4	60
DJ 1610 72	5	110
DJ 1612 29	3	96
DJ 1612 29	4	100
DJ 1612 29	11	100

Part Number	Figure No.	Page No.
DJ 1612 78	18	58
DJ 1810 65	7	100
DJ 1811 15	6	52
DJ 1910 23	14	76
DJ 1910 25	11	76
DJ 1910 26	10	76
DJ 1910 29	2	76
DJ 1910 30	3	76
DJ 1910 31	5	76
DJ 1910 56	8	76
DJ 1910 57	1	76
DJ 2011 09	9	76
DJ 2011 73	15	60
DJ 2012 19	10	106
DJ 2210 19	4	108
DK 1013 86	7	10
DK 1016 10	7	42
DK 1017 51	2	8
DK 1410 41	13	88
DK 1510 12	12	70
DK 1510 26	2	64
DK 1510 26	10	66
DK 1510 94	8	70
DK 2210 24	6	108
DL 1910 20	18	106
DM 1810 10	11	84
DP 1210 25	6	44
DP 1210 59	12	34

Parts Index



Part Number	Figure No.	Page No.
DP 1210 59	12	36
DP 1610 94	19	44
DS 1011 17	4	40
DS 1011 54	5	14
DS 1012 15	9	26
DS 1012 76	5	10
DS 1013 55	25	16
DS 1099 05	8	10
DS 1211 26	4	44
DS 1410 12	2	88
DS 1410 12	11	96
DS 1510 58	8	66
DS 1510 73	9	70
DS 1510 89	3	68
DS 1510 91	5	68
DS 1510 94	8	68
DS 1510 94	24	72
DS 1610 35	14	96
DS 1611 25	3	60
DS 1810 07	3	80
DS 1810 10	6	80
DS 1810 12	16	86
DS 1810 15	8	52
DS 1810 16	9	52
DS 1910 07	14	106
DS 1910 52	16	80
DS 2010 25	13	106
DT 1312 07	6	70

Part Number	Figure No.	Page No.
DT 4020 06	13A	106
DU 1611 02	12	96
DY 5112 04	1	10
DZ 1410 75	18	88
EC 4010 30	23	102
FD 1010 78	2	32
GF 1611 31	24	106
GH 2010 12	8	104
GL 6214 14	6	50
JA 1210 05	16	74
JA 1316 06	14	68
JA 5112 16	4	10
JA 5310 12	12	14
JA 5310 15	11	14
JA 5410 05	7	28
JA 5410 10	6	22
JA 5410 12	9	22
JA 5410 16	3	32
JA 5412 11	5	26
JA 5412 12	2	26
JA 5412 25	4	26
JA 5412 33	6	28
JA 5510 02	4	16
JA 5510 04	2	16
JA 5514 06	10	30
JA 5514 14	2	30
JA 5514 19	3	30
JA 5514 20	12	30

Parts Index



Part Number	Figure No.	Page No.
JA 5814 06	24	38
JA 6210 02	5	40
JA 6210 06	6	40
JA 6210 06	2	40
JA 6212 06	13	40
JB 1220 10	17	56
JB 1220 16	19	56
JB 1310 22	22	68
JB 5110 18	14	2
JB 5310 21	10	14
JB 5514 06	8	30
JB 5514 08	2	30
JB 5812 29	3	38
JB 5812 30	2	38
JB 5812 56	4	38
JB 5812 60	8	38
JB 5910 59	3	42
JB 5910 68	4	42
JC 1510 04	4	70
JC 1510 06	7	70
JC 1510 12	25	72
JC 1510 16	1	70
JD 1110 52	1	88
JD 1138 14	12	6
JD 1138 15	11	6
JD 1220 04	15	74
JD 1318 10	1	66
JD 1318 10	1A	66

Part Number	Figure No.	Page No.
JD 1318 10	1	78
JD 1318 11	11	66
JD 1318 11	3	78
JD 1410 03	14	70
JD 1610 02	6	74
JD 1610 06	7	74
JD 1718 01	11	88
JD 3512 06	10	48
JD 4022 17	12	106
JD 5310 04	9	14
JD 5514 00	9	30
JD 5610 04	6	18
JD 5610 06	5	18
JD 5610 11	3	18
JD 5612 04	7	20
JD 5614 16	14	20
JE 3514 03	3	12
JE 5110 67	2	6
JE 5112 36	8	10
JE 5112 37	5	10
JE 5210 33	1	12
JE 5310 01	6	14
JE 5410 28	4	22
JE 5410 38	7	14
JE 5510 01	1	16
JE 5512 00	8	16
JE 5512 01	5	16
JE 5512 02	3	16

Parts Index



Part Number	Figure No.	Page No.
JE 5512 03	7	16
JE 5512 06	16	16
JE 5512 11	20	16
JE 5512 12	18	16
JE 5512 15	19	16
JE 5512 16	17	16
JE 5514 08	3	26
JE 5514 09	13	30
JE 5610 05	2	18
JE 5610 06	1	18
JE 5612 00	3	20
JE 5810 35	4	6
JE 5810 39	5	6
JE 5812 18	15	34
JE 5812 18	15	36
JE 5812 23	14	34
JE 5812 23	14	36
JE 6210 03	9	40
JE 6210 04	15	40
JE 6214 03	5	50
JF 4018 03	4	106
JF 5110 52	14	2
JG 1710 29	18	46
JG 1710 86	7	46
JG 1812 36	16	100
JG 5710 24	15	24
JG 5814 42	15	44
JH 1110 00	1	52

Part Number	Figure No.	Page No.
JH 1110 18	15	52
JH 1130 00	1	58
JH 1130 04	8	58
JH 1130 05	16	58
JH 1130 06	2	58
JH 1130 07	3	58
JH 1130 09	9	58
JH 1130 10	20	58
JH 1130 11	17	58
JH 1130 12	22	58
JH 1130 19	8	58
JH 1130 20	16	58
JH 1130 21	20	58
JH 1130 22	9	58
JH 1130 23	17	58
JH 1132 00	7	62
JH 1132 01	1	62
JH 1132 03	5	58
JH 1132 05	7	62
JH 1134 00	2	54
JH 1134 01	1	54
JH 1134 02	6	54
JH 1134 03	9	54
JH 1134 10	7	54
JH 1134 15	6A	54
JH 1134 16	6B	54
JH 1138 00	13	56
JH 1138 02	22	106

Parts Index



Part Number	Figure No.	Page No.
JH 1138 05	12	52
JH 1138 10	10	52
JH 1138 13	14	52
JH 1210 05	13	84
JH 1210 06	19	86
JH 1210 09	1	84
JH 1210 10	23	86
JH 1210 11	22	86
JH 1210 12	2	84
JH 1210 13	3	84
JH 1210 14	24	86
JH 1210 16	16	86
JH 1210 19	25	86
JH 1210 32	15	86
JH 1210 33	12	84
JH 1210 38	1	84
JH 1210 39	2	84
JH 1210 40	3	84
JH 1210 41	13	84
JH 1210 42	26	86
JH 1210 43	19	86
JH 1210 47	23	86
JH 1210 48	22	86
JH 1210 50	1	84
JH 1210 51	23	86
JH 1210 52	22	86
JH 1210 53	2	84
JH 1210 54	3	84

Part Number	Figure No.	Page No.
JH 1210 56	15	86
JH 1210 79	17	66
JH 1210 79	16	76
JH 1220 03	14	56
JH 1220 04	11	56
JH 1220 09	3	56
JH 1220 11	1	56
JH 1220 12	20	56
JH 1220 13	2	56
JH 1220 14	8	56
JH 1220 15	14	56
JH 1310 01	1	64
JH 1310 06	3	64
JH 1310 11	2	66
JH 1310 11	1	68
JH 1310 23	3	64
JH 1310 25	1B	64
JH 1310 30	6	64
JH 1310 31	1A	64
JH 1312 01	4	64
JH 1312 02	5	64
JH 1312 03	27	72
JH 1312 04	30	72
JH 1312 08	30	72
JH 1312 18	4A	64
JH 1312 22	5	64
JH 1312 23	7	64
JH 1316 00	3	66

Parts Index



THE INVINCIBLE

Part Number	Figure No.	Page No.	Part Number	Figure No.	Page No.
JH 1318 01	12	76	JH 1710 14	7	52
JH 1318 02	2	70	JH 1710 16	11	52
JH 1318 03	5	70	JH 1710 17	5	88
JH 1318 20	2	68	JH 1710 18	19	46
JH 1318 33	12	76	JH 1710 19	17	46
JH 1318 35	2	78	JH 1710 20	2	46
JH 1318 80	6	68	JH 1710 20	11	46
JH 1318 87	1A	66	JH 1710 21	6	46
JH 1318 87	1	78	JH 1710 22	8	46
JH 1510 01	12	80	JH 1710 23	14	46
JH 1510 02	17	80	JH 1710 24	15	46
JH 1510 03	18	80	JH 1710 33	7	88
JH 1510 06	1	80	JH 1710 45	15	88
JH 1510 07	2	80	JH 1710 47	21	106
JH 1510 09	9	80	JH 1710 48	16	46
JH 1510 11	20	80	JH 1710 72	8	46
JH 1510 18	2	52	JH 1710 90	15	46
JH 1510 21	2	80	JH 1716 01	12	46
JH 1510 41	20	80	JH 1716 02	20	46
JH 1610 02	2	74	JH 1718 00	12	88
JH 1610 04	8	74	JH 1718 01	14	88
JH 1612 00	3	94	JH 1812 07	3	92
JH 1612 02	4	94	JH 1812 15	15	100
JH 1612 03	5	90	JH 1812 20	9	114
JH 1612 04	6	90	JH 1812 20	9	120
JH 1612 09	3	94	JH 1812 21	9	114
JH 1612 10	4	94	JH 1812 21	9	120
JH 1710 08	3	88	JH 1812 23	1	100

Parts Index



THE INVINCIBLE

Part Number	Figure No.	Page No.	Part Number	Figure No.	Page No.
JH 1812 28	5	96	JH 1814 11	8	60
JH 1812 31	20	34	JH 1910 00	1	90
JH 1812 31	20	36	JH 1910 03	12	90
JH 1812 33	6	100	JH 1910 14	1A	90
JH 1812 34	4	96	JH 2312 02	5	98
JH 1812 38	19	100	JH 2312 04	3	98
JH 1812 39	20	100	JH 2312 10	1	98
JH 1812 41	8	100	JH 2312 11	2	98
JH 1812 42	9	100	JH 2314 09	9	98
JH 1812 43	11	90	JH 2314 09	11	98
JH 1812 53	2	92	JH 2314 09	6	112
JH 1812 55	10	90	JH 2314 09	6	116
JH 1812 59	13	92	JH 2314 22	13	98
JH 1812 62	29	102	JH 2316 00	24	82
JH 1812 63	10	110	JH 2316 01	25	82
JH 1812 65	19	38	JH 2316 06	24	82
JH 1812 71	24	102	JH 2316 07	25	82
JH 1812 80	21	34	JH 2326 02	11	80
JH 1812 80	21	36	JH 2326 02	7	88
JH 1812 80	20	38	JH 2326 02	13	96
JH 1812 99	12	66	JH 2326 06	11	80
JH 1813 00	15	66	JH 2326 06	7	88
JH 1813 05	12	66	JH 2326 06	13	96
JH 1813 06	15	66	JH 2326 12	11	80
JH 1814 03	5	60	JH 2326 16	11	80
JH 1814 04	7	60	JH 2326 16	11A	80
JH 1814 05	6	60	JH 2328 00	1	110
JH 1814 08	1	60	JH 2328 09	1	110

Parts Index



Part Number	Figure No.	Page No.	Part Number	Figure No.	Page No.
JH 2330 14	12	114	JH 2330 67	8	120
JH 2330 15	11	114	JH 2330 71	11	122
JH 2330 16	11	114	JH 2330 72	12	122
JH 2330 18	13	114	JH 2330 73	14	122
JH 2330 18	13	118	JH 2330 74	8	120
JH 2330 18	13	122	JH 2330 78	11	122
JH 2330 19	14	114	JH 2330 79	12	122
JH 2330 20	14	98	JH 2330 80	14	122
JH 2330 20	15	114	JH 2330 96	10	118
JH 2330 20	15	118	JH 2330 97	11	118
JH 2330 21	12	114	JH 2331 05	10	118
JH 2330 25	10	114	JH 2331 06	11	118
JH 2330 26	10	114	JH 2331 09	10	118
JH 2330 28	12	114	JH 2331 10	11	118
JH 2330 32	11	114	JH 3510 05	2	48
JH 2330 33	10	114	JH 3510 07	2	48
JH 2330 34	15	122	JH 3512 00	4	48
JH 2330 49	14	118	JH 3512 03	6	48
JH 2330 52	12	114	JH 3512 05	9	48
JH 2330 56	11	114	JH 3512 07	4	48
JH 2330 57	10	114	JH 3512 19	4	48
JH 2330 58	14	114	JH 3516 00	1	50
JH 2330 59	16	118	JH 3516 01	1	50
JH 2330 59	16	122	JH 3516 03	1	50
JH 2330 60	8	120	JH 4010 00	5	104
JH 2330 64	11	122	JH 4010 01	6	104
JH 2330 65	12	122	JH 4010 06	1	104
JH 2330 66	14	122	JH 4010 07	2	104

Parts Index



Part Number	Figure No.	Page No.	Part Number	Figure No.	Page No.
JH 4010 17	1	104	JH 5112 10	3	8
JH 4010 18	2	104	JH 5210 01	1	12
JH 4014 00	22	82	JH 5210 05	12	10
JH 4014 01	23	82	JH 5210 07	1	12
JH 4014 02	23A	82	JH 5310 00	1	14
JH 4018 00	5	106	JH 5310 07	1	14
JH 4022 00	7	106	JH 5410 08	2	22
JH 4022 01	16	106	JH 5410 15	11	24
JH 4022 02	17	106	JH 5410 21	13	24
JH 4022 07	7	106	JH 5412 02	1	28
JH 4022 11	7	106	JH 5412 05	10	28
JH 4022 27	7	106	JH 5412 07	8	28
JH 4024 00	1	92	JH 5412 09	20	26
JH 4024 04	1	92	JH 5412 10	16	26
JH 4026 00	4	88	JH 5412 11	12	28
JH 5010 01	1	22	JH 5412 12	17	26
JH 5010 03	1	22	JH 5412 15	21	26
JH 5010 30	1	22	JH 5412 16	13	28
JH 5010 31	1	22	JH 5412 17	12	26
JH 5110 16	19	4	JH 5412 41	10	28
JH 5110 17	2	10	JH 5510 01	9	16
JH 5110 28	9	8	JH 5510 02	22	16
JH 5110 44	19	4	JH 5512 01	23	16
JH 5110 45	23	4	JH 5512 02	24	16
JH 5110 50	7	2	JH 5512 03	15	16
JH 5110 87	1A	2	JH 5512 04	12	16
JH 5112 07	3	8	JH 5512 05	13	16
JH 5112 08	1	10	JH 5512 06	14	16

Parts Index



Part Number	Figure No.	Page No.
JH 5512 10	14	16
JH 5512 11	17	16
JH 5514 00	1	30
JH 5514 01	17	30
JH 5514 04	5	30
JH 5514 05	6	30
JH 5514 10	6	30
JH 5514 11	1	30
JH 5514 12	17	30
JH 5514 13	5	30
JH 5514 16	1	30
JH 5514 18	6	30
JH 5514 19	3	30
JH 5610 00	8	18
JH 5612 12	8A	20
JH 5612 13	13	20
JH 5614 02	8	20
JH 5614 04	9	20
JH 5614 09	12	20
JH 5810 00	1	44
JH 5810 07	18	4
JH 5810 07	2	44
JH 5810 08	11	44
JH 5810 11	5	44
JH 5810 12	8	44
JH 5810 15	7	44
JH 5810 18	1	44
JH 5810 29	11	44

Part Number	Figure No.	Page No.
JH 5810 30	18	4
JH 5810 30	2	44
JH 5812 00	1	34
JH 5812 01	18	34
JH 5812 01	17	38
JH 5812 02	19	34
JH 5812 02	19	36
JH 5812 02	18	38
JH 5812 06	1	34
JH 5812 07	1	38
JH 5812 32	18	36
JH 5812 33	1	36
JH 5814 01	2	2
JH 5814 10	2B	2
JH 5814 12	2A	2
JH 5814 13	25	4
JH 5822 00	6	6
JH 5824 00	9	6
JH 5824 02	1	6
JH 5824 05	8	6
JH 5826 01	12	44
JH 5826 02	10	44
JH 5910 34	2	42
JH 5911 11	13	42
JH 6214 01	4	50
JH 6214 03	4	50
JH 6214 07	3	50
JK 1210 07	9	84

Parts Index



Part Number	Figure No.	Page No.
JK 1210 08	12	84
JK 1210 09	10	84
JL 1812 19	2	96
JL 1812 59	28	102
JL 1812 88	15	38
JL 4014 06	15	106
JL 4020 04	13B	106
JL 5412 27	8	26
JL 5911 48	7	92
JL 5911 49	14	42
JN 1812 11	16	66
JN 3516 04	3	106
JV 4018 02	5	106
JV 5410 06	17	24
JW 1318 07	8	78
JW 1318 10	13	78
JW 5612 06	2	20
JW 5612 08	3	20
JW 5910 28	5	42
JW 5910 30	3	42
JY 1138 42	10	46
JY 1710 69	4	46
JY 1710 70	9	46
JY 1710 77	1	46
JY 1710 90	5	46
JY 1718 25	13	46
JY 5810 28	10	6
JZ 1112 92	13	52

Part Number	Figure No.	Page No.
JZ 1130 42	19	58
JZ 1132 09	4	62
JZ 1132 12	5	62
JZ 1318 75	9	74
JZ 1510 78	4	80
JZ 1510 79	5	80
JZ 1510 84	5	52
JZ 1612 10	1	94
JZ 1612 24	2	94
JZ 1812 06	17	100
JZ 1813 22	1	96
JZ 1813 38	5	108
JZ 1813 65	6	92
JZ 1910 10	4	90
JZ 1910 11	3	90
JZ 2328 05	6	110
JZ 2328 14	4	110
JZ 4014 03	15	80
JZ 4018 09	6	106
JZ 4020 00	11	48
JZ 4022 18	8	106
JZ 5410 05	9	24
JZ 5510 10	1	16
JZ 5512 02	3	16
JZ 5512 13	7	16
JZ 5514 15	6	30
JZ 5610 02	7	18
JZ 5710 00	1	32

Parts Index



Part Number	Figure No.	Page No.
JZ 5710 01	5	32
KA CA08 20	10	98
KA CF06 55	21	82
KA CF08 30	4	84
KA CF10 50	7	98
KA DC06 20	30	102
KA DC06 25	10	100
KA DD06 12	16	52
KA DD06 14	20	44
KA DD06 14	14	66
KA DD06 18	13	66
KA DD06 18	17	76
KA DD06 20	4	104
KA DD06 22	8	90
KA DD08 12	4	98
KA DD08 12	2	106
KA DD08 20	6	58
KA DD08 50	6	98
KA DD08 65	4	54
KA DD08 A0	5	54
KA DD10 55	12	42
KA DD10 B5	10	54
KA DF06 08	23	106
KA DF06 10	3	52
KA DF06 10	20	106
KA DF06 12	8	96
KA DF06 14	10	96
KA DF06 30	13	6

Part Number	Figure No.	Page No.
KA DF08 50	8	54
KA ED06 14	12	48
KA ED06 20	9	2
KA ED06 20	24	4
KA ED06 20	15	10
KA ED06 20	12A	48
KA ED06 22	11	20
KA ED06 45	11	28
KA EF06 30	7	68
KA EF06 30	21	70
KA EF06 50	13	22
KA EG06 14	3	6
KA ER06 C0	14	22
KB AB06 08	9	28
KB BC06 08	9	28
KB BM04 08	17	68
KB RA35 10	17	44
KB RA42 16	3	100
KB RA42 32	16	44
KB UC05 25	8	110
KC AA10 08	23	74
KC GA05 05	6	88
KC GA05 05	5	92
KC GA06 06	14	6
KC GC05 05	6	96
KC GD10 10	7	104
KD BA05 12	2	100
KD BA08 18	13	58

Parts Index



Part Number	Figure No.	Page No.
KD CB08 16	7	58
KD DB04 08	16	68
KD DB10 18	21	74
KH AA20 15	15	20
KH AA20 15	10	74
KH AA25 20	14	58
KH AA32 35	3	62
KH BA08 28	24	74
KJ AC18 24	12	2
KP AC60 05	22	72
KP BB62 02	26	72
KP BB63 01	6	66
KP BB63 01	18	68
KP BB63 02	13	70
KP BF62 01	8	22
LA C000 23	15	58
LA C000 24	12	98
LA C000 52	3	48
LA C000 75	3	2
LA C001 21	15	58
LA D000 07	18	96
LA D000 11	17	4
LA D000 37	13	76
LA D000 53	2	108
LA D001 26	4	58
LA D001 38	5	2
LA D001 65	21	102
LA D001 67	5	2

Part Number	Figure No.	Page No.
LA E000 05	13	26
LA E000 21	8	80
LA E000 22	10	60
LA E000 40	18	100
LB R000 03	17	96
LB U000 02	26	102
LB U000 23	12	100
LB U000 33	25	38
LB U000 38	9	90
LB U000 38	13	90
LB U000 43	14	60
LB U000 44	14	100
LB U000 46	22	34
LB U000 46	22	36
LB U000 46	21	38
LC A000 08	12	60
LC B000 05	11	70
LC G000 08	7	110
LD A000 07	14	90
LD A000 07	19	96
LD A000 18	7	96
LD A000 23	4	2
LD A000 25	3	14
LD B000 44	5	20
LJ A000 11	15	2
LJ A000 11	22	38
NA	20	126
NA	21	126

